

## Data sheet

Commercial Art.No.: 96.031.4253.0

Connector RST20i3S B1 ZRX GL

RST20i3 splitter connector, 3 pole, female, screw connection, application 250V with PE, 20A, for cable diameters 6-10mm, coding color light grey, color of housing light grey



Commercial Art.No.	96.031.4253.0
EAN	4015573769656
Order Unit	1

Certificates / Approvals



## Technical data

### General

Rated current	20 A
Rated voltage	250 V
Rated impulse voltage	4 kV
strain relief	yes
Pollution degree	3
Lockable	self-locking (unlocking by tool)
Color of coding/ contact carrier	light grey
Marking of poles	L, N, PE
Color of housing inclusive strain relief	light grey

### Connection Data

Cable diameter max.	10 mm
Cable diameter min.	6 mm
Connection cross section solid mm <sup>2</sup> max.	6 mm <sup>2</sup>
Connection cross section solid mm <sup>2</sup> min.	0.75 mm <sup>2</sup>
Connection cross section solid AWG min.	16 AWG
Connection cross section solid AWG max.	10 AWG
Connection cross section fine stranded mm <sup>2</sup> max.	6 mm <sup>2</sup>
Connection cross section fine stranded mm <sup>2</sup> min.	0.75 mm <sup>2</sup>
Connection cross section fine stranded AWG min.	2.5 AWG
Terminations per pole	1
Connection cross section stranded mm <sup>2</sup> min.	0.75 mm <sup>2</sup>
Connection cross section stranded mm <sup>2</sup> max.	6 mm <sup>2</sup>
Connection cross section stranded AWG min.	16 AWG
Connection cross section stranded AWG max.	10 AWG
sheath strip length	40.5 mm

Wire strip length	8 mm
-------------------	------

#### Model

Model	female
Connection type	screw connection
Degree of protection (IP)	IP66/68 (3m;2h) /IP69

#### Material

Housing material	Polyamide
halogen free	yes
Contact material	CuZn
Fire load	0.518 kWh
Insulation components continuous temperature	100 °C
Surface finish	Silver-plated

#### Dimensions

Length	97 mm
Width	59 mm
Height	38 mm

#### Classification

ECLASS 11	
ECLASS 8.1	27440605
ETIM 7.0	EC002560
ETIM 6.0	EC002560
ETIM 5.0	EC002560
ETIM 4.0	EC002560

#### Note

Note	RST® terminals with screw clamping allow the connection of conductors without special preparation (without ferrules) according to EN 60999-1.
------	---

#### Product compliance

ROHS conformity status	Compliant/Exempted
ROHS exceptions	III-6(c)
REACH-SVHC conformity status	Duty-To-Declare
REACH-SVHC substances	Lead
REACH-SVHC CAS numbers	7439-92-1

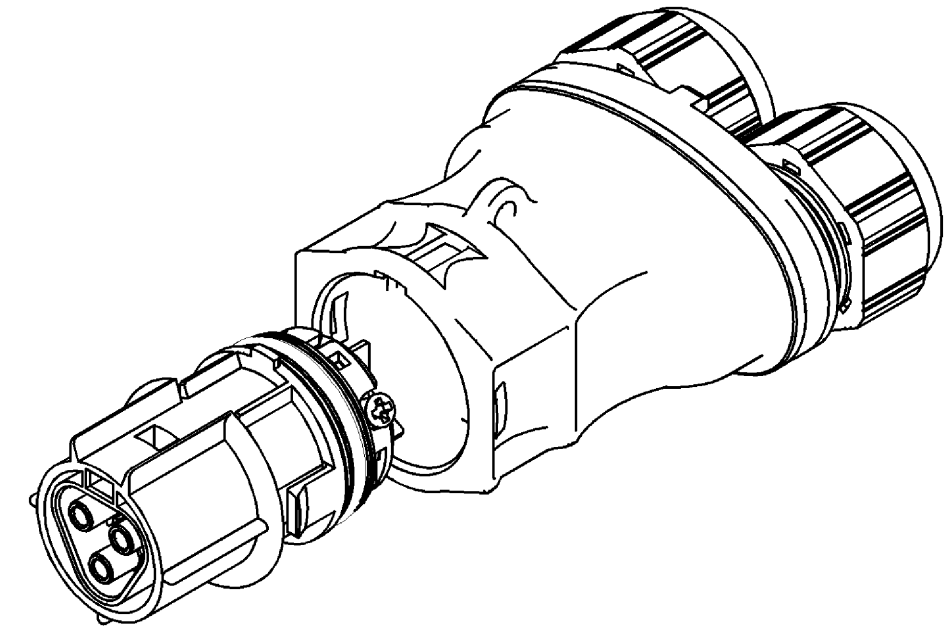
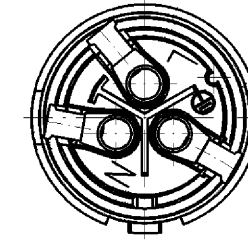
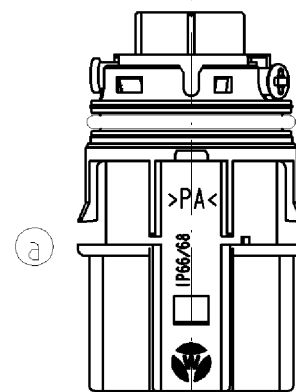
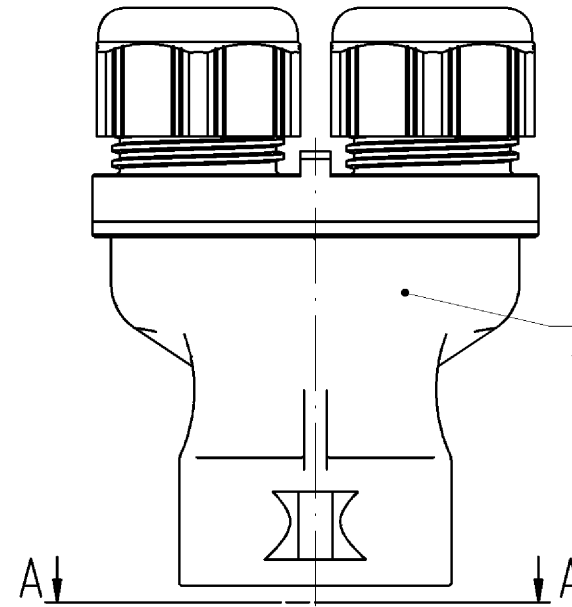
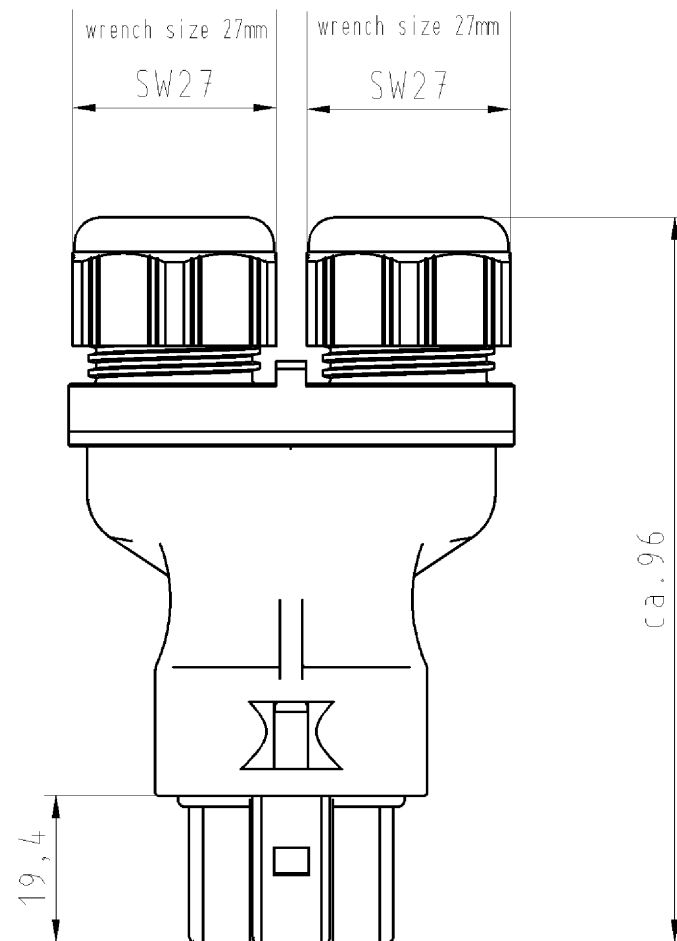
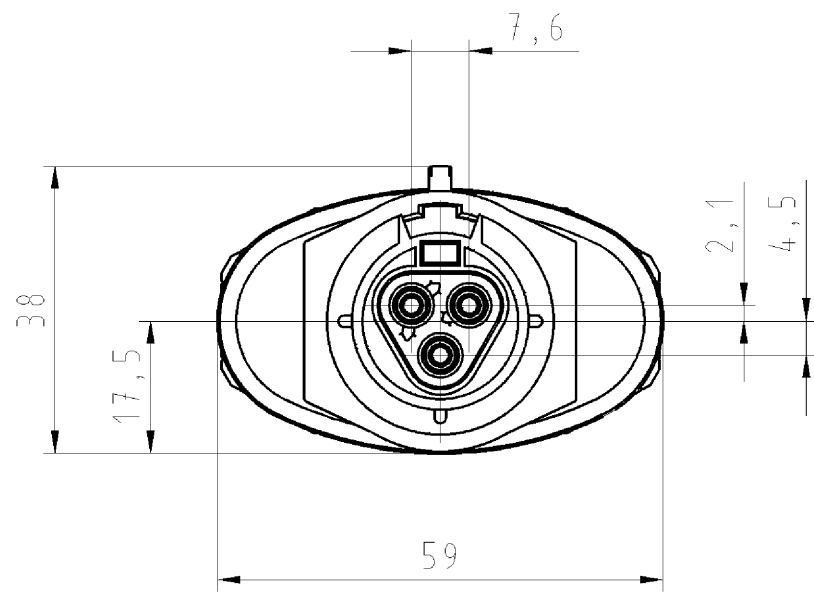
#### Accessories

Commercial Art.No.:	Article-type description:	Description:
99.413.6205.2	Cover for female connector GL	RST20i3/2 cover piece, for covering unused female connectors, with fastening belt, color light grey
Z5.564.4553.0	Cover for female connector GL	RST20i3/2 cover piece, for covering unused female connectors, color light grey

## Fits with

Commercial Art.No.:	Article-type description:	Description:
96.030.0153.0	Distributor RST20I3V 3P1 F V GL	RST20i3 distribution block, 3 pole, application 250V with PE, 20A, 1 input and 3 outputs, with fastening option, coding color light grey, color of housing light grey
96.233.1030.0	Cable assembly RST20I3K1BS 25 10GL	RST20i3 extension cable female - male, 3 pole, assembled with shrinkage tube, application 250V with PE, 20A, cable type H07RN-F, length 1.0m, cross section 2.5mm <sup>2</sup> , coding color light grey
96.032.4253.0	Connector RST20I3S S1 ZRX V GL	RST20i3 splitter connector, 3 pole, male, screw connection, application 250V with PE, 20A, for cable diameters 6-10mm, coding color light grey, color of housing light grey
96.032.5053.0	Device connector RST20I3S S1 M01V GL	RST20i3 device connector M25, 3 pole, male, screw connection, application 250V with PE, 20A, coding color light grey
96.032.6153.0	Device connector RST20I3S S1 M03V GL	RST20i3 device connector M16, 3 pole, male, screw connection, modular, application 250V with PE, 20A, coding color light grey, color of housing light grey
96.032.6053.0	Device connector RST20I3S S1 M00V GL	RST20i3 device connector M20, 3 pole, male, screw connection, modular, application 250V with PE, 20A, coding color light grey, color of housing light grey
96.034.6053.0	Device connector RST20I3S S1 M90V GL	RST20i3 device connector (90° angled) M20, 3 pole, male, screw connection, modular, application 250V with PE, 20A, coding color light grey, color of housing light grey
96.036.6153.0	Device connector RST20I3S S1 M13V GL	RST20i3 device connector (7° angled) M16, 3 pole, male, screw connection, modular, application 250V with PE, 20A, coding color light grey, color of housing light grey

Schnitt A-A  
section A-A



Verpackungseinheit: je 100 Stk.  
packaging unit: per 100

Teile-Nr./ part-nr.	Farbe:/ color:	Einz.-Tl.-Nr.: *)/ single-part-nr.:*)
96.031.4253.1	schwarz, ähnl. RAL 9005/ black, similar to RAL 9005	.....1
96.031.4253.0	lichtgrau, ähnl. RAL 7035/ lightgrey, similar to RAL 7035	.....0

Freitoleranz nach		CAD - Zeichnung, keine manuellen Änderungen			I. Verwendung: -		Bl.: 1 von 1	
Maßstab	Werkstoff und Oberfläche: material and surface: Farbe: siehe Tabelle color: look table	2004	Tag	Name	Zeichnung Nr.		Index	
1:1		Entworfen	27.02.	Kneitz	T 96.031.4253.0 01K		a	
Vol.	mm <sup>3</sup>	Geprüft	-	-	Ersatz für: -			
Änderung		Normgepr.	-	-				
Buchstabe	Datum / Blatt	Type		Benennung				
a	03.05.2005/	RST2013		BUCHSENTEIL MIT DOPPELZUGENTL				
		S B1 ZRX V		female connector with double cord grip screw-connection/Schraubanschluß				

○ Diese Maße werden bei Abnahme besonders geprüft  
○ Ausschließlich Prüfmaße  
○ MTL/FE gekennzeichnete Maße sind nur für interne Zwecke gültig

Weitergabe sowie Vervielfältigung dieses Dokuments, Verwertung und Mitteilung seines Inhalts sind verboten, soweit nicht ausdrücklich gestattet. The reproduction, distribution and utilization of this document as well as the communication of its contents to others without express authorization is prohibited.