

Data sheet

Commercial Art.No.: 91.942.3053.0

Connector GST15I4S S1 ZW1 WS

GST15i4 connector, 4 pole (in 5 pole frame), male, with screw connection (angled), for cable diameters 6-11.5 mm, coding mains 250/400 V, 16 A, coding color white, strain relief color white



Commercial Art.No.	91.942.3053.0
EAN	4015573934573
Order Unit	1

Certificates / Approvals



Technical data

General

Rated current	16 A
Rated voltage	250 V / 400 V
Rated impulse voltage	4 kV
strain relief	yes
Pollution degree	2
Mechanical coding	Code 1
Lockable	self-locking (unlocking by tool)
Color of coding/ contact carrier	white
Marking of poles	2, 1, PE, N
Color of housing inclusive strain relief	white

Connection Data

Cable diameter max.	11.5 mm
Cable diameter min.	6 mm
Connection cross section solid mm ² max.	2.5 mm ²
Connection cross section solid mm ² min.	0.5 mm ²
Connection cross section fine stranded mm ² max.	2.5 mm ²
Connection cross section fine stranded mm ² min.	0.5 mm ²
Terminations per pole	1
sheath strip length	32 mm
Wire strip length	8 mm

Model

Model	male
Connection type	screw connection
Degree of protection (IP)	IP20

Material

Housing material	Polyamide
halogen free	yes
Contact material	CuZn
Fire load	0.107 kWh
Insulation components continuous temperature	100 °C
Surface finish	Silver-plated

Dimensions

Length	63 mm
Width	32.6 mm
Height	15 mm

Classification

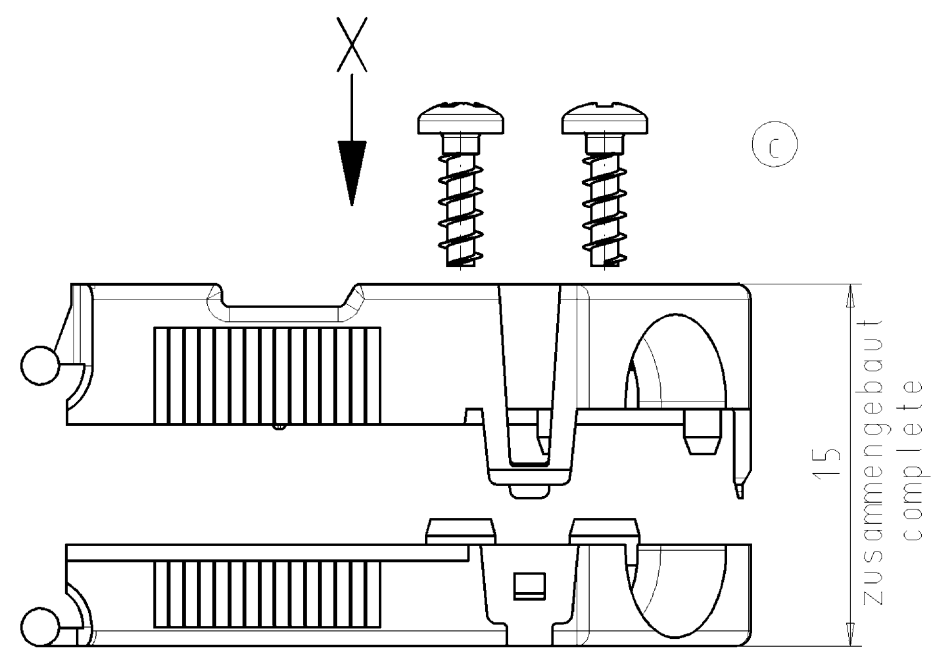
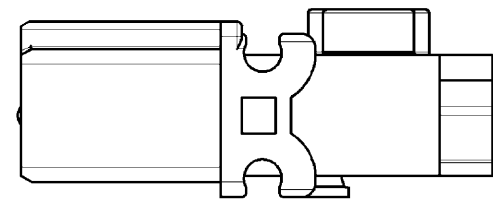
ECLASS 11	
ECLASS 8.1	27440605
ETIM 7.0	EC002560
ETIM 6.0	EC002560
ETIM 5.0	EC002560
ETIM 4.0	EC002560

Product compliance

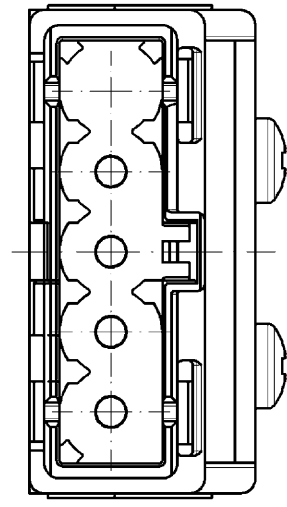
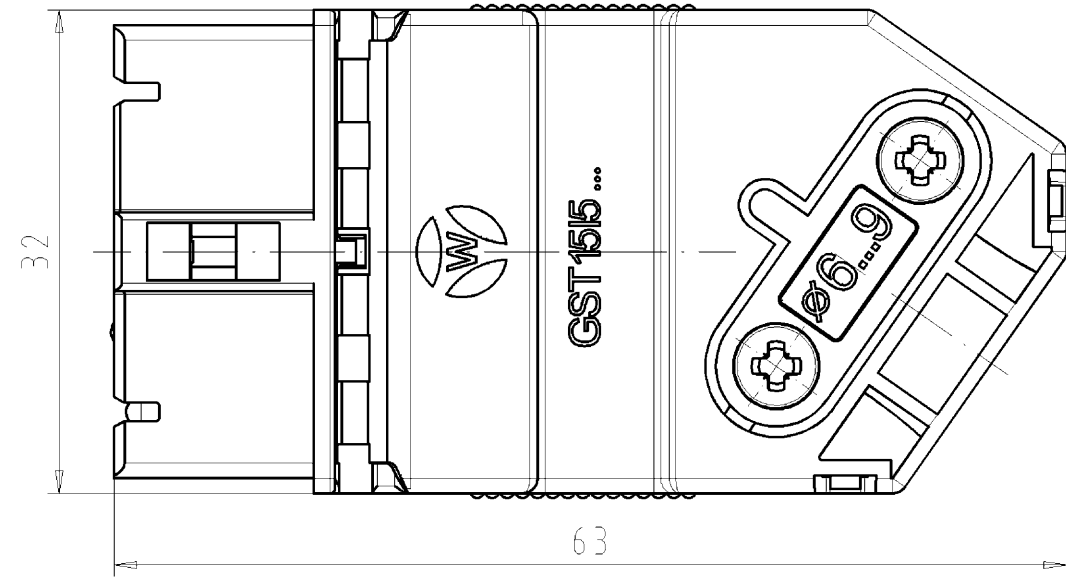
ROHS conformity status	Compliant/Exempted
ROHS exceptions	III-6(c)
REACH-SVHC conformity status	Duty-To-Declare
REACH-SVHC substances	Lead
REACH-SVHC CAS numbers	7439-92-1

These dimensions will be especially checked at delivery
 Only inspection dimensions
 With /E marked dimensions are only valid for internal use

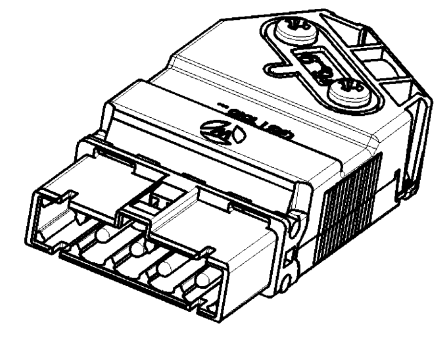
Diese Maße werden bei Abnahme besonders geprüft
 Ausschließlich Prüfmaße
 Mit /E gekennzeichnete Maße sind nur für interne Zwecke gültig



Ansicht / view X



M 1:1



Teile-Nr.:	Farbe
91.942.3053.0	weiß
91.942.3053.1	schwarz

Tolerierung nach DIN 7167/Tolerance system acc. to DIN 7167. (This DIN-standard describes the envelope principle. According to the envelope principle the deviations of form and parallelism are limited by the size tolerances).				ja/yes <input checked="" type="checkbox"/> Stoffverbots- und Deklarationsliste nach UU-TOM-05/03 ist einzuhalten. Conformity with Wieland document UU-TOM-05/03 (list of prohibited / declarable hazardous substances) to be declared!			
Freitoleranz nach General tolerance		CAD - Zeichnung, keine manuellen Änderungen CAD - drawing, no manual modifications allowed		1. Verwendung: - First Use:		Blatt: 1 von 1 Sheet: of 1	
/		Werkstoff/Material a PA UL94-V0 halogenfrei/ halogen-free		2006 Tag/Date Name gezeichnet/drawn 09.08. Schober geprüft/checked - - Normgepr. Stand. check - -		Zeichnung Nr./Drawing No. Index T 91.942.3053.0 01K c	
/ Maßstab/Scale 2:1		Maße in mm/Dimensions are in mm					
c 03.12.2010/ Vol.		mm ³ 01./Surf. mm ³		Ersatz für/Replacement for: -			
b 26.11.2009/ a 19.02.2009/		wieland Elektrische Verbindungen		Type		Benennung/Title STECKERT_M_ZUGENTL male connector with strain relief 250/400V 16A	
Index Datum / Blatt Date / Sheet		Änderung/Revision					

Weitergabe sowie Vervielfältigung dieses Dokuments, Verwertung und Mitteilung seines Inhalts sind verboten, soweit nicht ausdrücklich gestattet.
 The reproduction, distribution and utilization of this document as well as the communication of its contents to others without express authorization is prohibited.

919423053001K_4 CADW2037 Duelsch 2010-12-03T13:22:20 1.000