

Transmittal, reproduction, dissemination and/or editing of this document as well as utilization of its contents and communication thereof to others without express authorization are prohibited.
 未经允许禁止传输、复制、编辑该文档，以及利用其内容进行交流

REVISION RECORD				
REV	CN	DESCRIPTION	DRFT	DATE

General information:

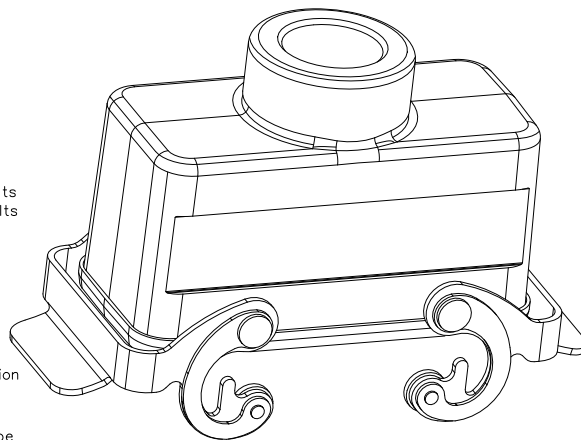
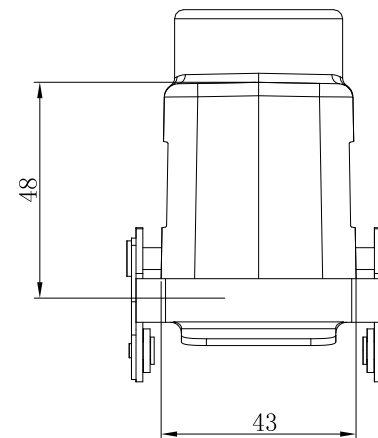
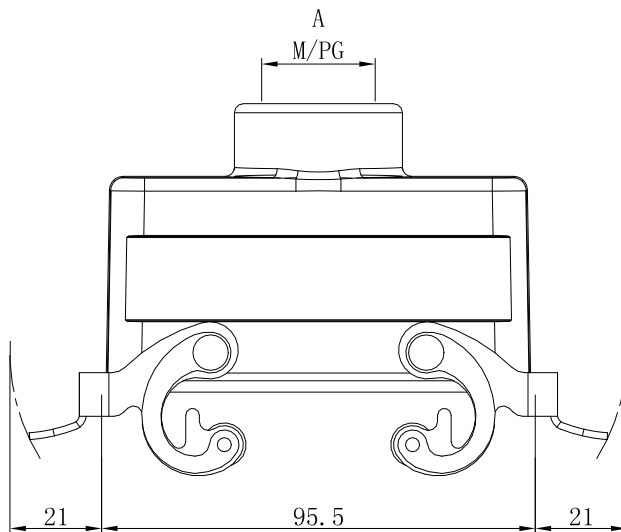
- Material: Aluminium die-cast
- Colour: Grey
- Surface: Powder-coated
- Operating temperature: -40°C~+125°C
- Degree of protection acc.to DIN EN60529 for coupled connector: IP65
- Locking element:
 Locking type: Single locking latch
 Material: Metal galvanized/nickel plating
- Outgoing direction: Top entry
- Thread specifications: M/PG
- Hoods&Housings seal: NBR
- Undimensioned Tolerances:

Pitch mm	Range In		Nominal Dimension		Range		Tolerance
	Over	TO	In	mm	Over	TO	
6	6	10	6	10	6	10	0.1/10
10	10	24	10	30	10	30	0.1/10
15	15	30	15	60	15	60	0.1/10
20	20	30	20	60	20	100	0.1/10
30	30	30	30	60	30	150	0.1/10
40	40	30	40	60	40	150	0.1/10
50	50	30	50	60	50	150	0.1/10
60	60	30	60	60	60	150	0.1/10
80	80	30	80	60	80	150	0.1/10
100	100	30	100	60	100	150	0.1/10
120	120	30	120	60	120	150	0.1/10
150	150	30	150	60	150	150	0.1/10
200	200	30	200	60	200	150	0.1/10
250	250	30	250	60	250	150	0.1/10
300	300	30	300	60	300	150	0.1/10
400	400	30	400	60	400	150	0.1/10
500	500	30	500	60	500	150	0.1/10
600	600	30	600	60	600	150	0.1/10
800	800	30	800	60	800	150	0.1/10
1000	1000	30	1000	60	1000	150	0.1/10

HOW TO ORDER:

S16B-BM-1L.M

- Locking lever — 1L: 1 levers(plastic) 2B: 2 bolts
 2L: 2 levers(plastic) 4B: 4 bolts
 1L.M: 1 levers(Metal)
 2L.M: 2 levers(Metal)
- Housing type — SE: Side entry
 SEH: Side entry-high construction
 TE: Top entry
 TEH: Top entry-high construction
 BM: Bulkhead mounted
 SM: Surface mounted
 SMH: Surface mounted-high construction
 CC: Cable to cable
 CCH: Cable to cable high construction
- Sereies — S3A: 3A Compact type
 S10A: 10A Compact type
 S16A: 16A Compact type
 S32A: 32A Compact type
 S6B: 6B Standard type
 S10B: 10B Standard type
 S16B: 16B Standard type
 S24B: S24B Standard type
 S32B: S32B Standard type
 S48B: S48B Standard type



Order number	A
S16B-CC-2L. M-M25	M25×1.5
S16B-CC-2L. M-M32	M32×1.5
S16B-CC-2L. M-PG21	PG21

订货号 Order No.	S16B-CC-2L. M-XXX		名称 Name	S16B电缆对接 金属两扣底座	未注公差 Tolerance	表面 Surface	
项目 Item	签字 Signature	日期 Date	图号 Drawing No.	/	Tolerances Table	VDI21	
设计 Design	CHH	2024.07.17	材料 Material	/	版本号 Revision Number	重量 Weight	比例 Scale
审核 Check	CHH	2024.07.17	物料号 Item No.	/	MO	/	1:1
工艺 Process	-	-		/	第1页/共1页 1 of 1	mm	
标准化 Unify	-	-		/	宁波盛普电子有限公司 NINGBO SUPU ELECTRONICS CO.,LTD.		
批准 Approve	XJ	2024.07.17		/			

借通用件登记
Common Part

原图号
Old Draw. No.

底图总号
Assembly No.