

Transmittal, reproduction, dissemination and/or editing of this document as well as utilization of its contents and communication thereof to others without express authorization are prohibited.  
未经允许禁止传输、复制、编辑该文档，以及利用其内容进行交流

REVISION RECORD				
REV	CN	DESCRIPTION	DRFT	DATE

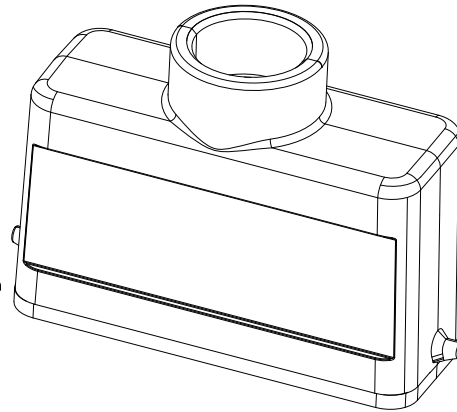
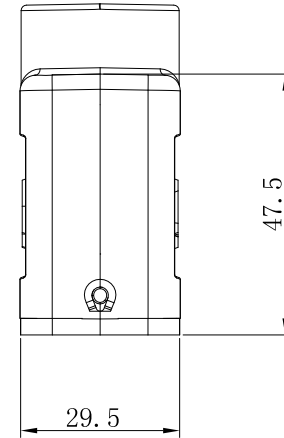
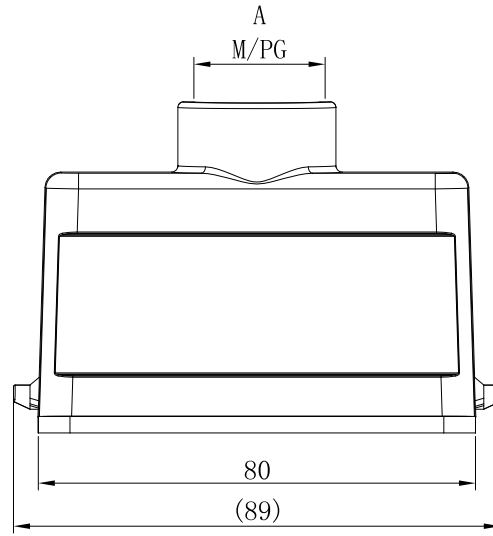
- General information:
1. Material: Aluminium die-cast
  2. Colour: Grey
  3. Surface: Powder-coated
  4. Operating temperature: -40°C~+125°C
  5. Degree of protection acc.to DIN EN60529 for coupled connector: IP65
  6. Outgoing direction: Top entry
  7. Thread specifications: M/PG
  8. Hoods&Housings seal: NBR
  9. Undimensioned Tolerances:

Pitch Range In mm		Nominal Dimension Range In mm						
TO	Over TO	Over TO	TO	Over TO	Over TO	Over TO	0.1/10	
6	10	24	30	60	100	150	≤	
±0.15	±0.20	±0.30	±0.50	±0.70	±1.00	±1.30	±2'	

**HOW TO ORDER:**

S16A-BM-1L.M

- Locking lever — 1L: 1 levers(plastic) 2B: 2 bolts  
2L: 2 levers(plastic) 4B: 4 bolts  
1L.M: 1 levers(Metal)  
2L.M: 2 levers(Metal)
- Housing type — SE: Side entry  
SEH: Side entry-high construction  
TE: Top entry  
TEH: Top entry-high construction  
BM: Bulkhead mounted  
SM: Sueface mounted  
SMH: Sueface mounted-high construction  
CC: Cable to cable  
CCH: Cable to cable high construction
- Serieis — S3A: 3A Compact type S6B: 6B Standard type  
S10A: 10A Compact type S10B: 10B Standard type  
S16A: 16A Compact type S16B: 16B Standard type  
S32A: 32A Compact type S24B: S24B Standard type  
S32B: S32B Standard type  
S48B: S48B Standard type



Order number	A
S16A-TE-2B-M20	M20×1.5
S16A-TE-2B-PG16	PG16

订货号 Order No.	S16A-TE-2B-XXX		名称 Name	S16A顶出线双耳上壳		未注公差 Tolerance	表面 Surface	
项目 Item	签字 Signature	日期 Date				Tolerances Table		VDI21
设计 Design	CHH	2024.07.09	图号 Drawing No.	/		版本号 Revision Number	重量 Weight	比例 Scale
审核 Check	CHH	2024.07.09	材料 Material	/		MO	/	1:1
工艺 Process	-	-	物料号 Item No.	/		第1页/共1页 1 of 1	mm	
标准化 Unify	-	-		...		宁波盛普电子有限公司 NINGBO SUPU ELECTRONICS CO.,LTD.		
批准 Approve	XJ	2024.07.09		/				

借通用件登记 Common Part
原图号 Old Draw. No.
底图总号 Assembly No.