

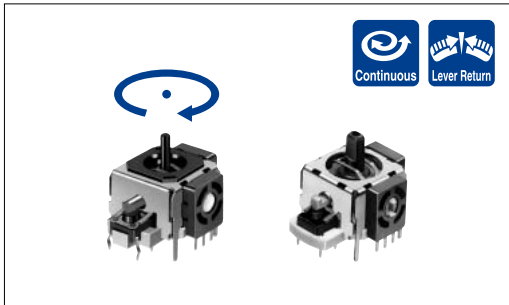
Multi Control Devices Stick Controller

RKJXK/RKJXP Series



Compact size, standard type. Also available with lever return mechanism.

Multi Control
Devices



Typical Specifications(Potentionmeter)

Items	RKJXK	RKJXP
Rated power	0.0125W	
Maximum operating voltage	50V AC, 5V DC	
Operating force	8mN·m max.(Not lever reset) 6 ± 4mN·m(Lever reset type)	17 ± 10mN·m
Operating life	100,000cycles	2,000,000cycles

Typical Specifications(Center Push)

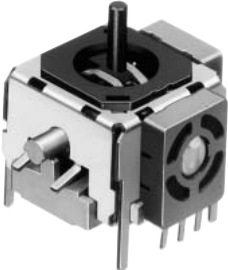
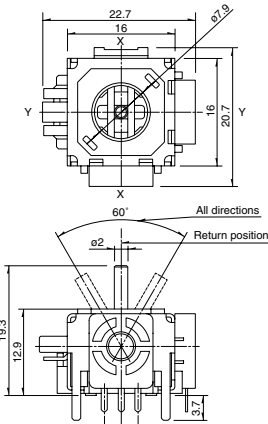
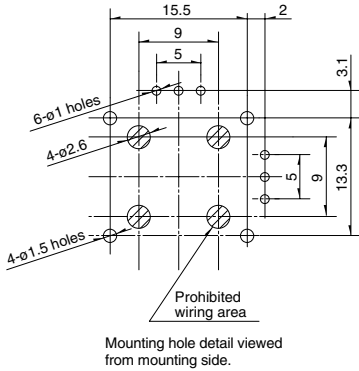
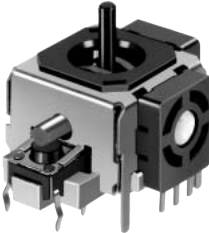
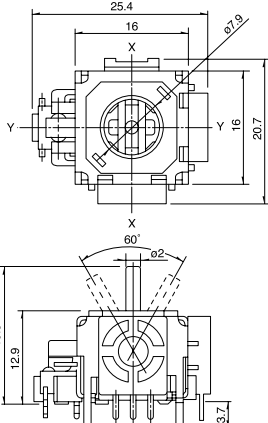
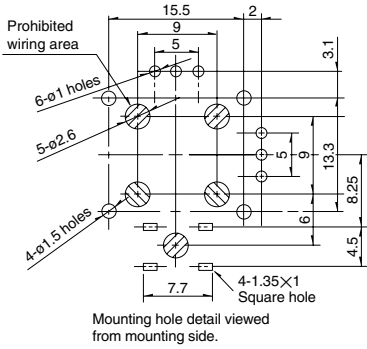
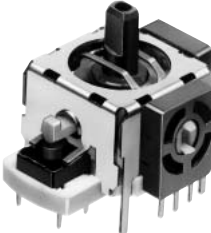
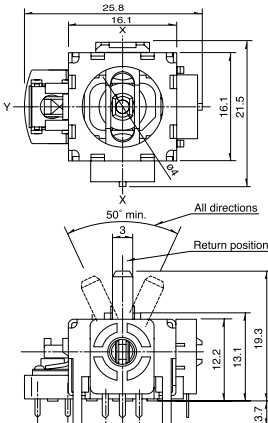
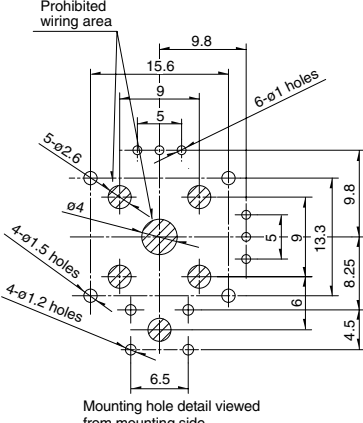
Characteristics	RKJXK	RKJXP
Ratings(max.)	50mA 12V DC	
Operating force	5.2 ± 2.6N	6.4 ^{+3.4} _{-2.6} N
Travel	0.5 ^{+0.5} _{-0.4} mm	
Operating life	100,000cycles	1,000,000cycles

Variable
Resistor Type

Switch
Type





Product Line

Lever return mechanism	Center-push	Total resistance(k)	Resistance taper	Minimum order unit(pcs.)	Product No.	Drawing No.
Without	Without	10	B(0B)	500	RKJXK1210002	1
With					RKJXK122000D	
	RKJXK122400Y				2	
	With					700

No.	Photo	Style	PC board mounting hole dimensions (Viewed from mounting side)
1	<p>RKJXK1210 RKJXK1220</p> 		 <p>Mounting hole detail viewed from mounting side.</p>
2	<p>RKJXK1224</p> 		 <p>Mounting hole detail viewed from mounting side.</p>
3	<p>RKJXP1224</p> 		 <p>Mounting hole detail viewed from mounting side.</p>

List of Varieties

Multi Control
DevicesVariable
Resistor Type
Switch
Type

Items		Series	Variable resistor type	
			RKJXK	RKJXP
Photo				
Function				
Dimensions (typical value) (mm)	W		20.7	20.8
	D		25.4	25.8
	H		12.9	12.2
Outlined specifica-tions	Number of operating shafts	Single-shaft		
	Shaft material	Metal	Resin	
	Directional resolution	Continuous		
	Directional operating feeling (tactic feeling)	Without		
	Directional operating force	8mN·m max. Without Lever return type 6 ± 4mN·m Lever reset type		17 ± 10mN·m
	Center-push switch	With/Without		With
	Encoder	Without		
Operating temperature range		-10 to +70		
Electrical performance	Directional resolution	Continuous		
	Insulation resistance	100M min. 250V DC		
	Voltage proof	250V AC for 1minute		
Mechanical performance	Push operating force	5.2 ± 2.6N	6.4 ^{+3.4} _{-2.6} N	
Slider noise		300mV max. by JIS method		
Lever stopper strength		0.3N·m	—————	
Lever play		5° max.		
Lever strength		50N min.(Push/Pull)	98N min.(Push) 50N min.(Pull)	
Environmental performance	Cold	-30 ± 2 for 96h		
	Dry heat	80 ± 2 for 96h		
	Damp heat	60 ± 2 , 90 to 95%RH for 96h		
Soldering	Manual soldering	300 max. 3s max.		
	Dip soldering	260 ± 5 , 5 ± 1s		
	Manual soldering	—————		
Page		472		

Variable Resistor Type Multi Control Devices Caution474

Note

Please contact us for export packing details.