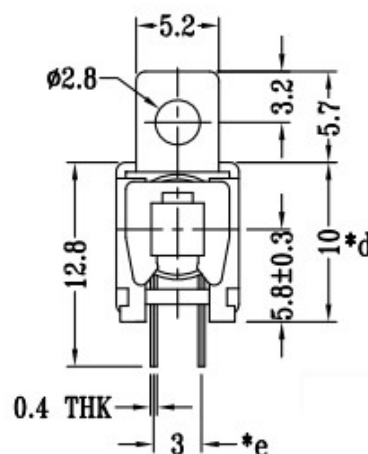
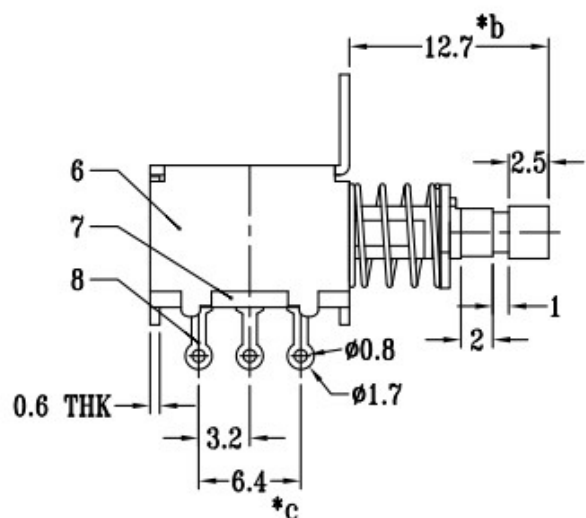
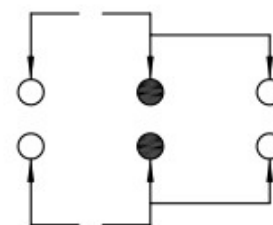


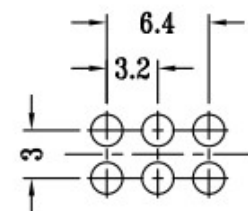
SCHEMATIC (NON-SHORTING)



PS-22F68XX
 PUSH SWITCH
 G-Switch P/N
 N=NO LOCK
 L=LOCK
 A=黑色
 B=红色
 C=蓝色
 D=其它

Push -Switch Specification:

Electrical Specifications: 0.5A 30VDC
 Contact Resistance : ≤100mΩ
 Insulation Resistance: ≥100MΩ DC125V
 Withstand Voltage: AC125V 1 minute
 Operating Temperature: -25°C~+65°C
 Storage Humidity: ≤85%RH
 Electrical Life: 10,000
 Mechanical Life: 100,000



**P.C.B LAYOUT
 BOTTOM VIEW**

SWITRONIC	PS Series Push Switches		
	Unless otherwise specified, Tolerance: X. ±0.30 X.x ±0.20 X.xx ±0.15 X.xxx ±0.10 Angles ±3°	DESIGN Bright Lee CHECKED APPROVED	DATE 2029.05.29 DATE DATE
TEL: 886-2-27290229		REV.: X1 SIZE: A4	SCALE: 4:1 SHEET: 1/1