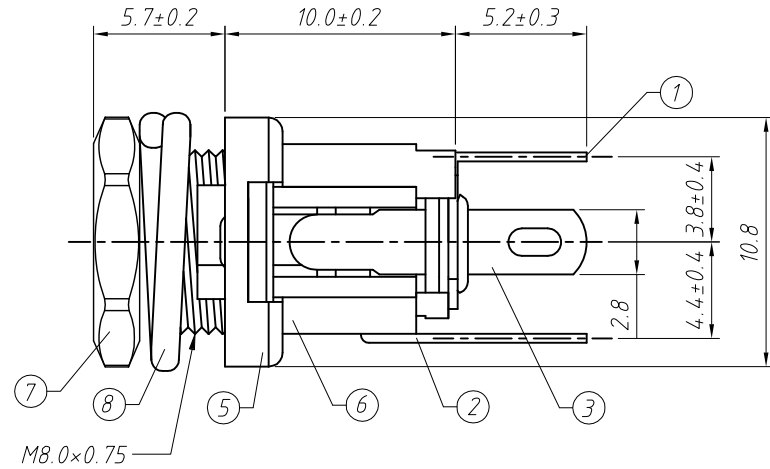
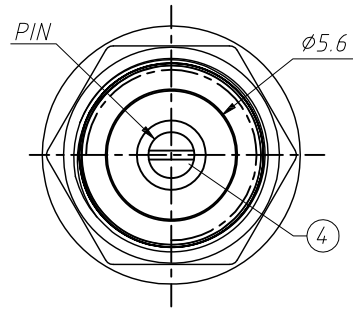


1 2 3 4 5 6 7 8

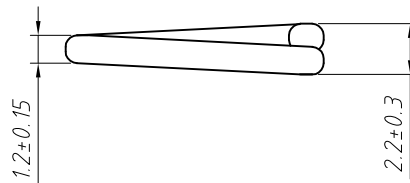
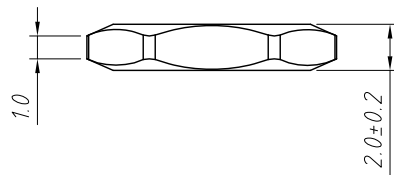
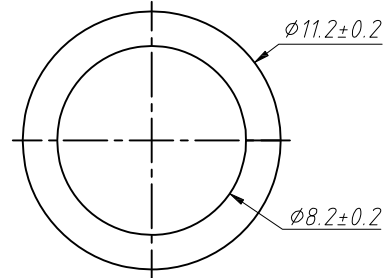
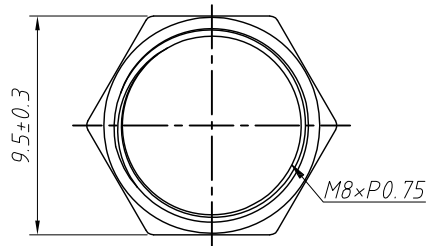
A
B
C
D
E
F
G
H

A
B
C
D
E
F
G
H



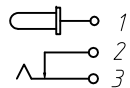
SPECIFICATION
 Rated Load:DC 30V 0.5A
 Contact resistance:30mΩ, max
 Insulation resistance:100MΩ, min
 Withstand Voltage:AC500V
 Actuating Force:3-20N
 Life:5000 cycles
 Operating Temperature:-30°C-70°C

PIN	∅2.0	∅2.5
APPD		



NO.	Description	QTY	Material	Plating
1	1# Curve Piece	1	Brass	Sn-Plating
2	2# Curve Piece	1	Brass	Sn-Plating
3	Spring	1	Bronze	Sn-Plating
4	PIN	1	Brass	Ni-Plating
5	Axis Support	1	Brass	Ni-Plating
6	Housing	1	PBT	---
7	Nut	1	Brass	Ni-Plating
8	Split Washer	1	Iron	Ni-Plating

SCHEMATIC



GENERAL TOLERANCE	PROJECTION		Description:
X. ±0.50	UNITS	mm	DC POWER Jack DIP
.X ±0.25	SCALE	1:1	
.XX ±0.10	Draw by:	Jenny	KLS P/N: L-KLS1-DC-025B
ANGLE TOLERANCE	Check by:		NingBo KLS ELECTRONIC CO.,L TD.
X. ±5°	Date	2019-03-01	
.X ±3°	SHEET	1 OF 1	
.XX ±2°			

1 2 3 4 5 6 7 8