

Data sheet

Commercial Art.No.: 91.931.3053.1

Connector GST15I3S B1 ZR1W SW

GST15i3 connector, 3 pole, female, with screw connection, for cable diameters 5.5-9 mm, coding mains 250 V, 16 A, coding color black, strain relief color black



Commercial Art.No.	91.931.3053.1
EAN	4015573847316
Order Unit	1

Certificates / Approvals



Technical data

General

Rated current	16 A
Rated voltage	250 V
Rated impulse voltage	4 kV
strain relief	yes
Pollution degree	2
Mechanical coding	Code 1
Lockable	self-locking (unlocking by tool)
Color of coding/ contact carrier	black
Marking of poles	L, N, PE
Color of housing inclusive strain relief	black

Connection Data

Cable diameter max.	9 mm
Cable diameter min.	5.5 mm
Connection cross section solid mm ² max.	2.5 mm ²
Connection cross section solid mm ² min.	0.5 mm ²
Connection cross section fine stranded mm ² max.	2.5 mm ²
Connection cross section fine stranded mm ² min.	0.5 mm ²
Terminations per pole	1
sheath strip length	25 mm
Wire strip length	8 mm

Model

Model	female
Connection type	screw connection
Degree of protection (IP)	IP20

Material

Housing material	Polyamide
halogen free	yes
Contact material	CuZn
Fire load	0.058 kWh
Insulation components continuous temperature	100 °C
Surface finish	Silver-plated

Dimensions

Length	53.2 mm
Width	23 mm
Height	13.8 mm

Classification

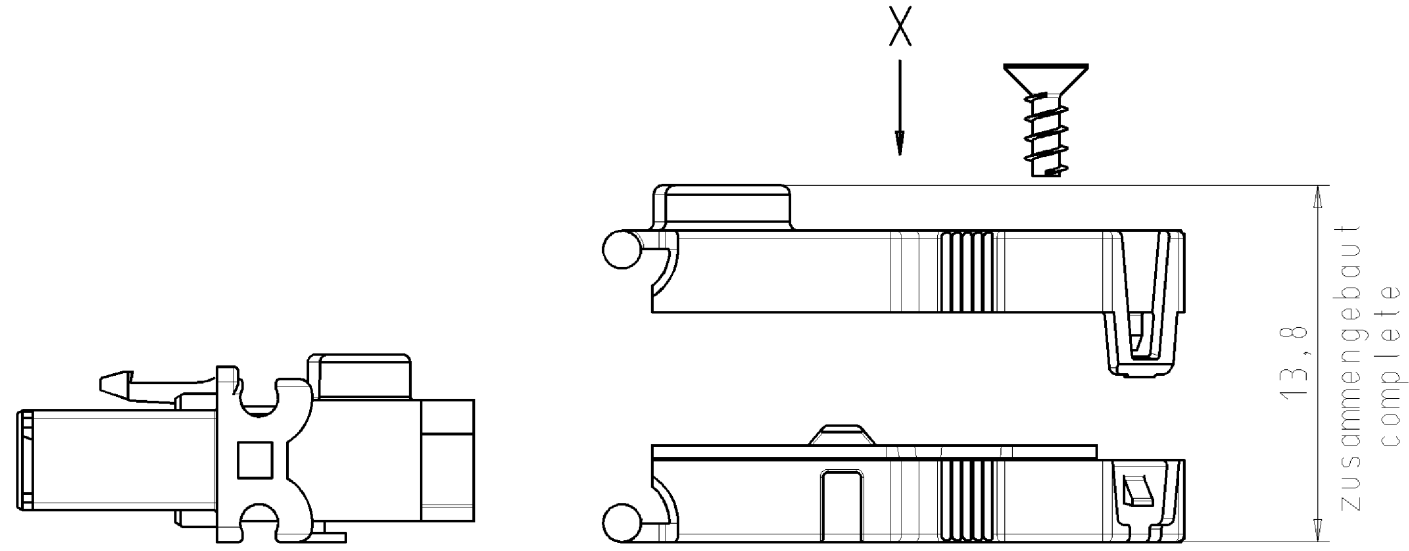
ECLASS 11	
ECLASS 8.1	27440605
ETIM 7.0	EC002560
ETIM 6.0	EC002560
ETIM 5.0	EC002560
ETIM 4.0	EC002560

Product compliance

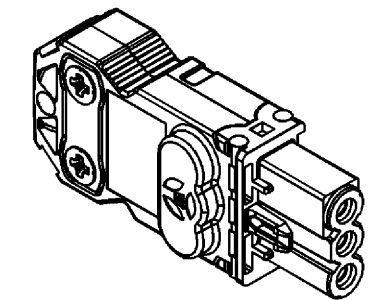
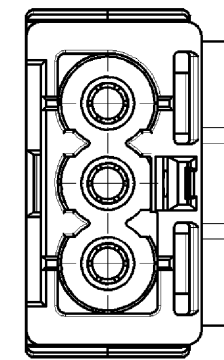
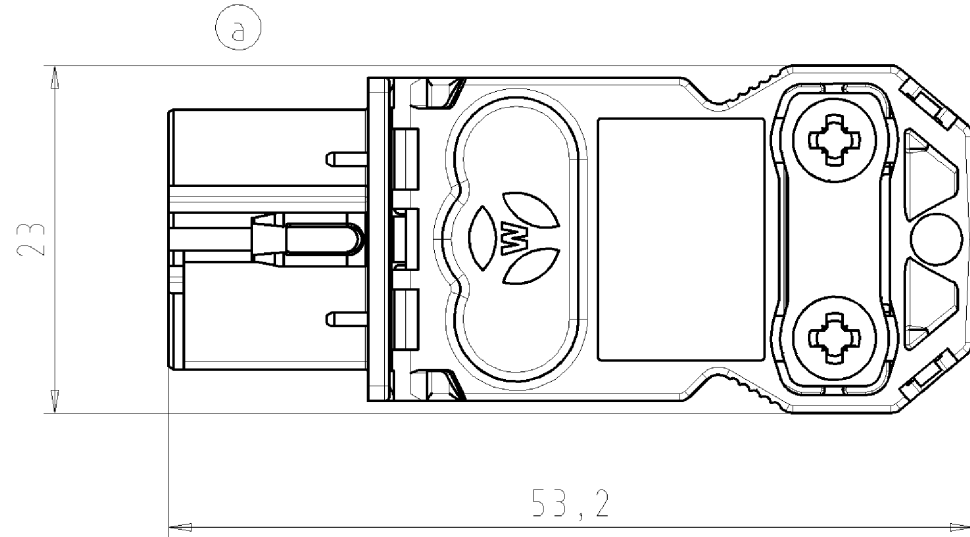
ROHS conformity status	Compliant/Exempted
ROHS exceptions	III-6(c)
REACH-SVHC conformity status	Duty-To-Declare
REACH-SVHC substances	Lead
REACH-SVHC CAS numbers	7439-92-1

These dimensions will be especially checked at delivery
 Only inspection dimensions
 With /E marked dimensions are only valid for internal use

Diese Maße werden bei Abnahme besonders geprüft
 Ausschließlich Prüfmaße
 Mit /E gekennzeichnete Maße sind nur für interne Zwecke gültig



Ansicht / view X



M 1:1

Teile-Nr.:	Farbe:
part no.	colour
91.931.3053.0	weiß, ähnl. / white similar RAL 9003
91.931.3053.1	schwarz, ähnl. / black similar RAL 9005

Zulässige Abweichungen nach DIN 7167/Permissible deviations acc. to DIN 7167. (This DIN-standard describes the envelope principle. According to the envelope principle the deviations of form and parallelism are limited by the size tolerances).				ja/yes <input checked="" type="checkbox"/> Stoffverbots- und Deklarationsliste nach UU-TQM-05/03 ist einzuhalten. Conformity with Wieland document UU-TQM-05/03 (list of prohibited / declarable hazardous substances) to be declared!			
Freitoleranz nach General tolerance		CAD - Zeichnung, keine manuellen Änderungen CAD - drawing, no manual modifications allowed		1. Verwendung: First Use:		Blatt: 1 von 1 Sheet: of 1	
/		Werkstoff/Material Farbe: siehe Tabelle colour: see table		2005 Tag/Date Name		Zeichnung Nr./Drawing No.	
/		Maßstab/Scale 2:1		gezeichnet drawn 15.07. Henemann V.		T 91.931.3053.0 01K a	
/		Vol. mm ³ Öl./Surf. mm ²		geprüft checked -		Index	
/		Ersatz für/Replacement for: -		Nicht gepr. Stand. check -		Maße in mm/Dimensions are in mm	
/		Type		Benennung/Title		BUCHSENT_M_ZUGENTL	
a 13.02.2006/ Index Datum / Blatt Date / Sheet		wieland Elektrische Verbindungen		socket connector with strain relief GST1513SB1 ZR1 ..			
Änderung/Revision							

Weitergabe sowie Vervielfältigung dieses Dokuments, Verwertung und Mitteilung seines Inhalts sind verboten, soweit nicht ausdrücklich gestattet.
 The reproduction, distribution and utilization of this document as well as the communication of its contents to others without express authorization is prohibited.