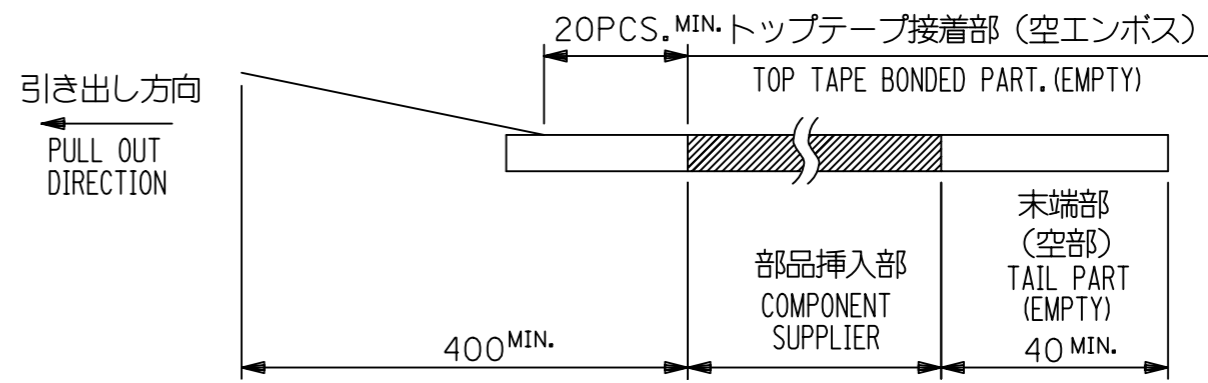


NOTE

- 1. 梱包数量 : 1000個/リール
NUMBER OF CONNECTORS : 1000 PCS/REEL
- 2. リードテープ長さ LEAD TAPE LENGTH



3. 52610-**15のアクチュエータはハウジング内に押し下げた状態とする。
詳細寸法については図面 526101000 PSD 000 を参照下さい。
ACTUATOR OF PART NO. 52610-**15 SHOULD BE LOCKED.
RE DETAILD DIMENSIONS, SEE 526101000 PSD 000.

4. 材料 MATERIAL
 キャリアテープ : ポリプロピレン
 トップテープ : PET, PE, PEF
 リール : ポリスチレン <リサイクル材を含む>
 CARRIER TAPE : POLYPROPYLENE
 TOP TAPE : PET, PE, PEF
 REEL : POLYSTYRENE (PS) < RECYCLE MATERIAL CONTAINED >

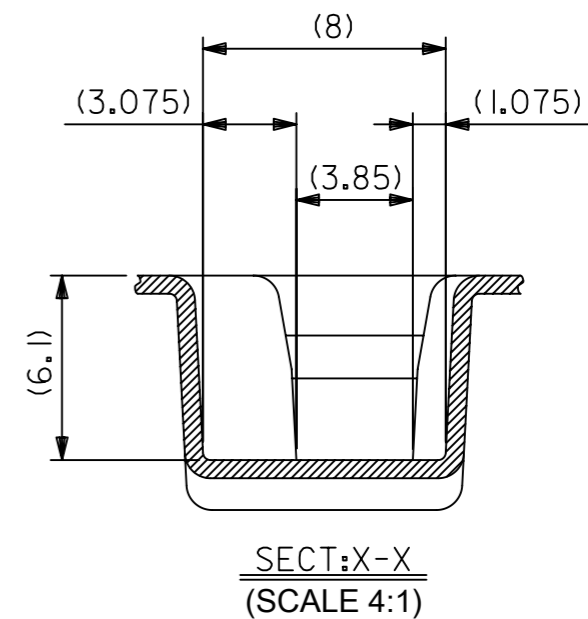
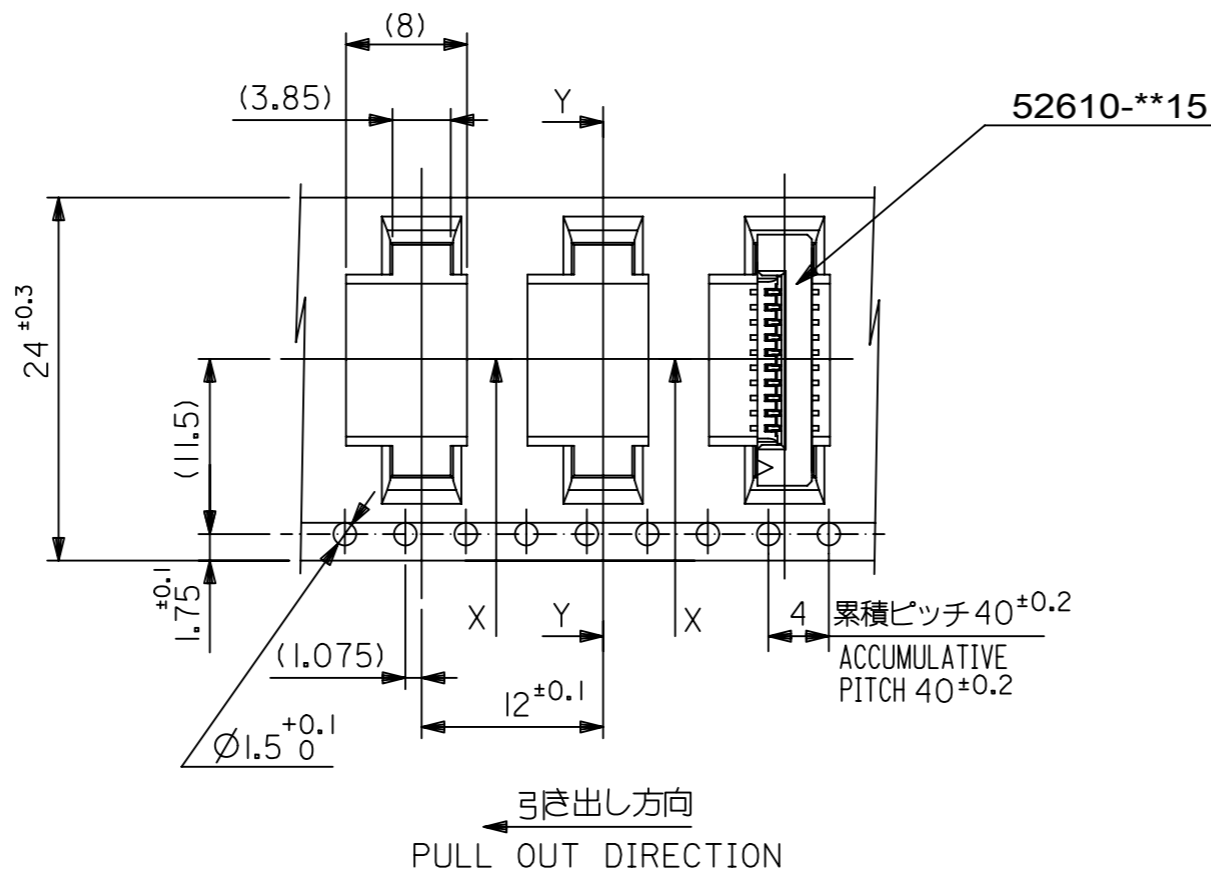
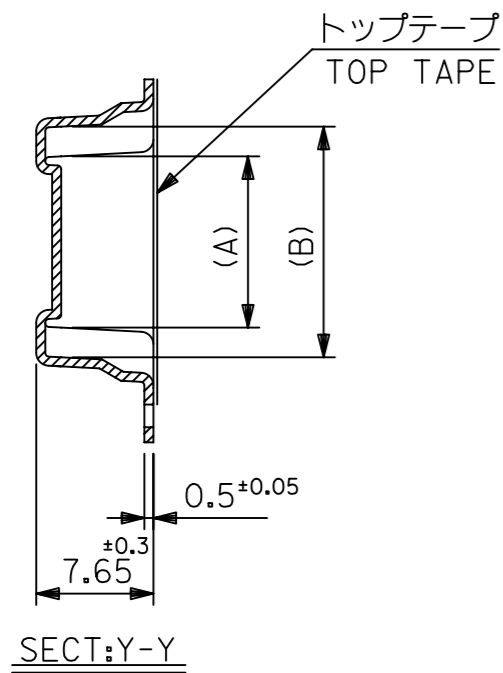
5. 本製品は52610シリーズの接点金めつき品である。
THIS PRODUCT IS Au-CONTACT OF 52610 SERIES.

6. 本製品は乾燥剤入り、ハイバリア梱包仕様である。
THIS PRODUCT IS HIGH BARRIER PACKAGE WITH DESICCANT.

MODEL NO. 52610-**72

THIS DRAWING CONTAINS INFORMATION THAT IS PROPRIETARY TO MOLEX ELECTRONIC TECHNOLOGIES, LLC AND SHOULD NOT BE USED WITHOUT WRITTEN PERMISSION										
RELEASED	EC NO: 106044	2016/10/12	GENERAL TOLERANCES (UNLESS SPECIFIED)		DIMENSION UNITS	SCALE	molex [®]			
	DRWN: YMIZUNO02	2016/12/28	ANGULAR TOL ± 3.0 °		MM	---				
	CHK'D: YKOBAYASHI02	2016/12/28	4 PLACES	± 0.2	DRWN BY	DATE	1.0 FPC CONN ZIF ASSY SMT ST EMBSTP PKG			
	APPR: TKUSUHARA01	2016/12/28	3 PLACES	± 0.2	YMIZUNO02	2016/10/12				
			2 PLACES	± 0.2	CHK'D BY	DATE	PRODUCT CUSTOMER DRAWING			
		1 PLACE	± 0.2	YKOBAYASHI02	2016/12/28					
		0 PLACES	± 0.2	APPR BY	DATE	SERIES MATERIAL NUMBER CUSTOMER				
		DRAFT WHERE APPLICABLE MUST REMAIN WITHIN DIMENSIONS		TKUSUHARA01	2016/12/28				52610	SEE CHART
				DRAWING SIZE	THIRD ANGLE PROJECTION	DOCUMENT NUMBER		DOC TYPE	DOC PART	SHEET NUMBER
				A3		526100000		PSD	000	1 OF 5

RELEASE STATUS	RELEASE DATE
----------------	--------------

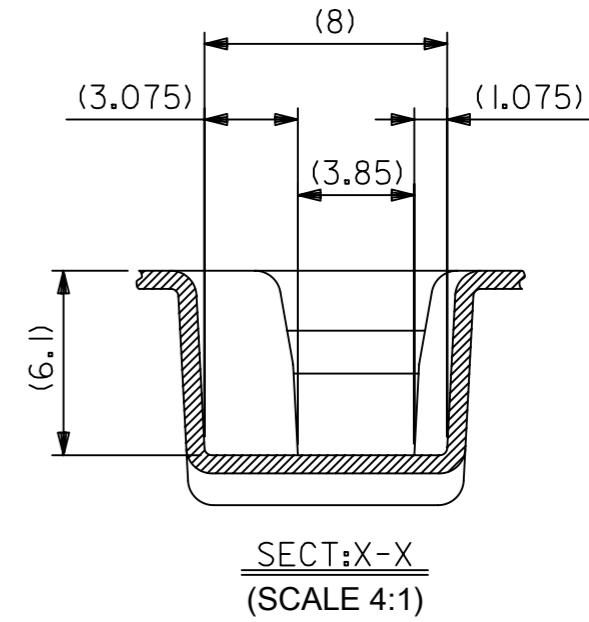
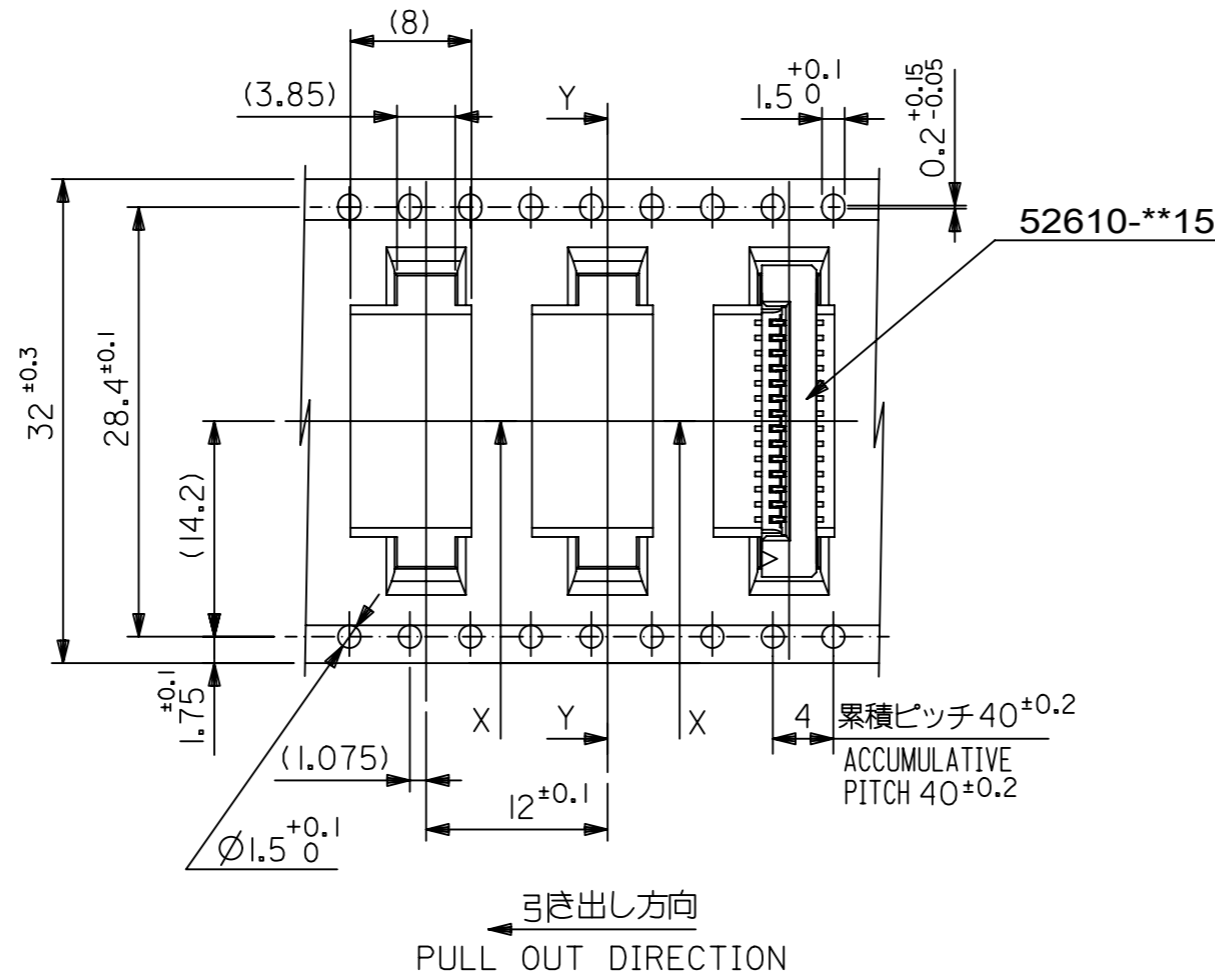
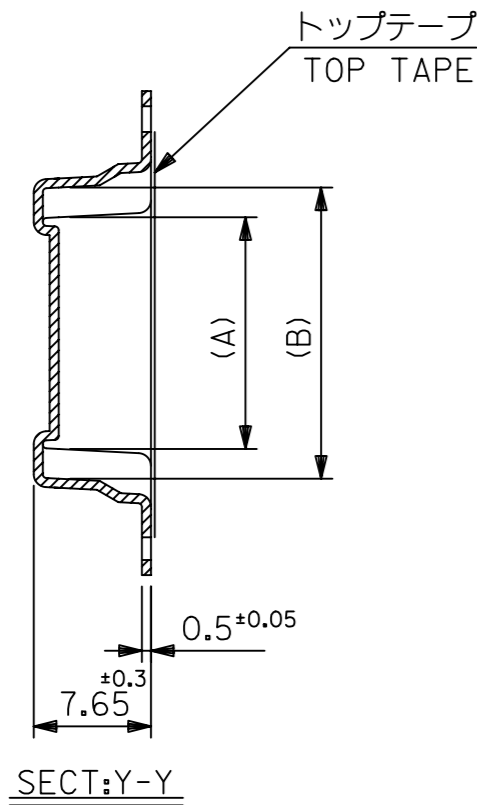


24	29.4	25.4	15.25	11.32	52610-1072	10		
			14.25	10.32	52610-0972	9		
			13.25	9.32	52610-0872	8		
			12.25	8.32	52610-0772	7		
			11.25	7.32	52610-0672	6		
			10.25	6.32	52610-0572	5		
キャリアテープ幅 CARRIER TAPE WIDTH			D	C	(B)	(A)	MATERIAL NO.	極数 CKT

THIS DRAWING CONTAINS INFORMATION THAT IS PROPRIETARY TO MOLEX ELECTRONIC TECHNOLOGIES, LLC AND SHOULD NOT BE USED WITHOUT WRITTEN PERMISSION

EC NO: 106044 DRWN: YMIZUNO02 CHK'D: YKOBAYASHI02 APPR: TKUSUHARA01	2016/10/12	2016/12/28	2016/12/28	GENERAL TOLERANCES (UNLESS SPECIFIED) ANGULAR TOL ± 3.0 ° 4 PLACES ± 0.2 3 PLACES ± 0.2 2 PLACES ± 0.2 1 PLACE ± 0.2 0 PLACES ± 0.2 DRAFT WHERE APPLICABLE MUST REMAIN WITHIN DIMENSIONS	DIMENSION UNITS	SCALE			
	RELEASED				MM	---			
					DRWN BY	DATE		YMIZUNO02	2016/10/12
					CHK'D BY	DATE		YKOBAYASHI02	2016/12/28
					APPR BY	DATE		TKUSUHARA01	2016/12/28
					DRAWING SIZE	THIRD ANGLE PROJECTION		A3	
PRODUCT CUSTOMER DRAWING			SERIES	MATERIAL NUMBER	CUSTOMER				
			52610	SEE CHART	GENERAL				
DOCUMENT NUMBER			DOC TYPE	DOC PART	SHEET NUMBER				
526100000			PSD	000	2 OF 5				

RELEASE STATUS	RELEASE DATE
----------------	--------------

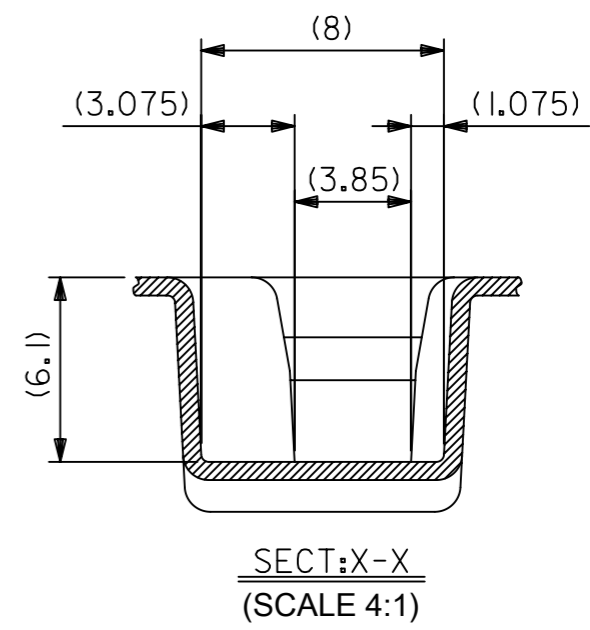
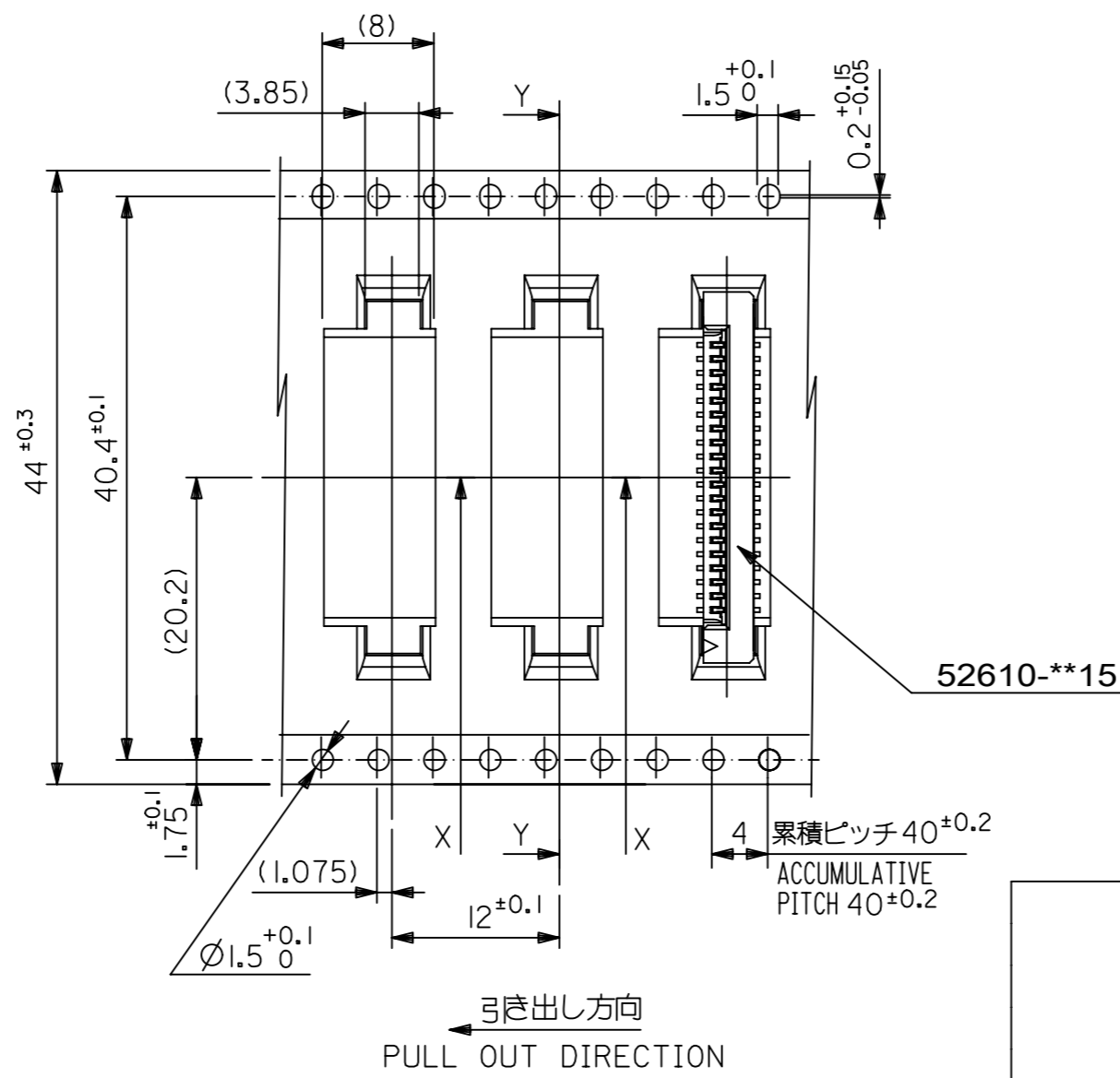
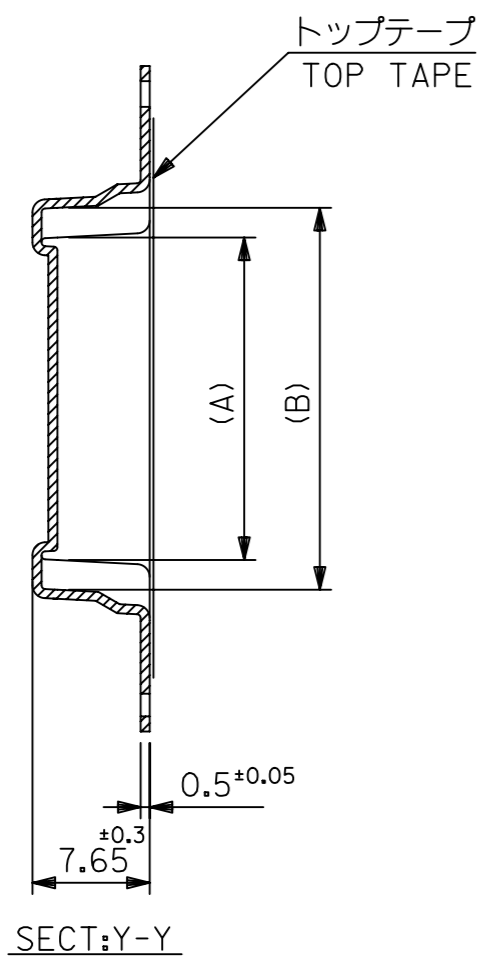


32	37.4	33.4	20.25	16.32	52610-1572	15	
			19.25	15.32	52610-1472	14	
			18.25	14.32	52610-1372	13	
			17.25	13.32	52610-1272	12	
			16.25	12.32	52610-1172	11	
キャリアテープ幅 CARRIER TAPE WIDTH		D	C	(B)	(A)	MATERIAL NO.	極数 CKT

THIS DRAWING CONTAINS INFORMATION THAT IS PROPRIETARY TO MOLEX ELECTRONIC TECHNOLOGIES, LLC AND SHOULD NOT BE USED WITHOUT WRITTEN PERMISSION

EC NO: 106044 DRWN: YMIZUNO02 CHK'D: YKOBAYASHI02 APPR: TKUSUHARA01	2016/10/12	2016/12/28	2016/12/28	GENERAL TOLERANCES (UNLESS SPECIFIED) ANGULAR TOL $\pm 3.0^\circ$ 4 PLACES ± 0.2 3 PLACES ± 0.2 2 PLACES ± 0.2 1 PLACE ± 0.2 0 PLACES ± 0.2 DRAFT WHERE APPLICABLE MUST REMAIN WITHIN DIMENSIONS	DIMENSION UNITS	SCALE				
	RELEASED				MM	---		1.0 FPC CONN ZIF ASSY SMT ST EMBSTP PKG		
					DRWN BY	DATE				
					YMIZUNO02	2016/10/12				
					CHK'D BY	DATE				
			YKOBAYASHI02	2016/12/28						
			APPR BY	DATE			PRODUCT CUSTOMER DRAWING			
			TKUSUHARA01	2016/12/28			SERIES	MATERIAL NUMBER	CUSTOMER	
							52610	SEE CHART	GENERAL	
					DRAWING SIZE	THIRD ANGLE PROJECTION	DOCUMENT NUMBER			
					A3		526100000	DOC TYPE	DOC PART	SHEET NUMBER
							PSD	000	3 OF 5	

RELEASE STATUS	RELEASE DATE
----------------	--------------

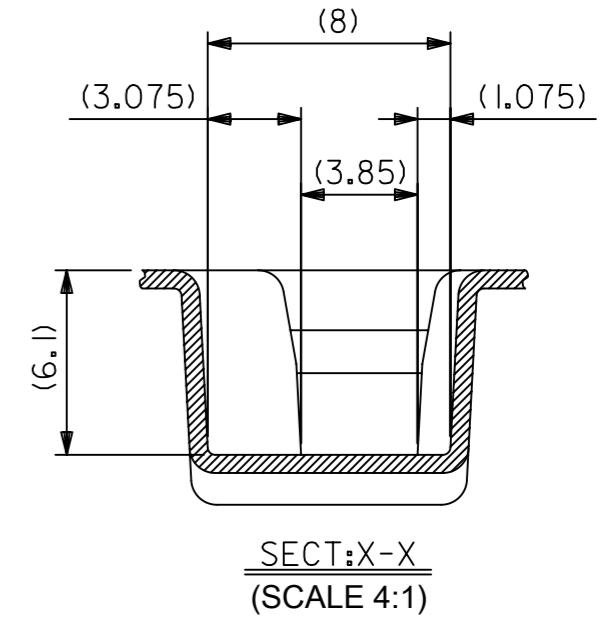
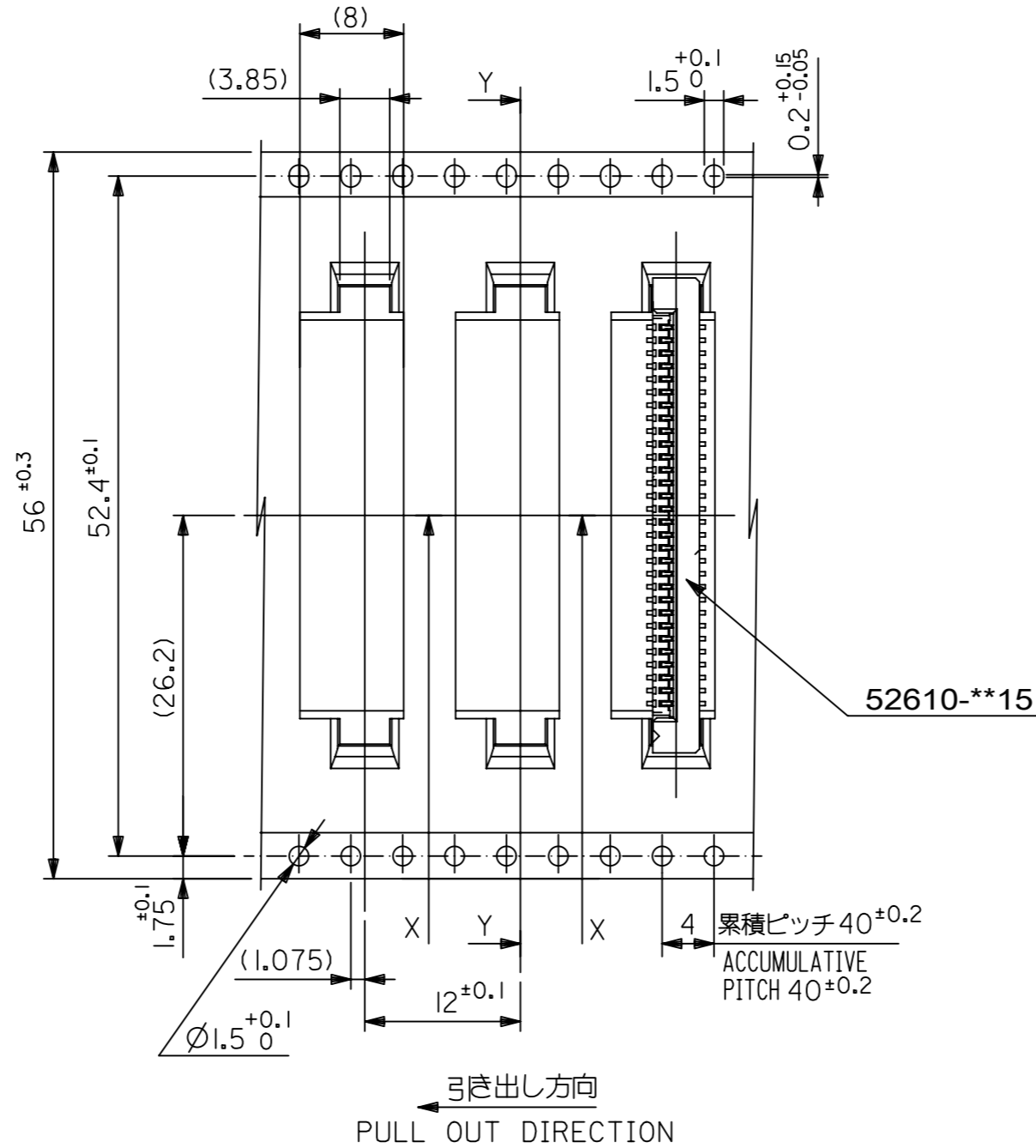
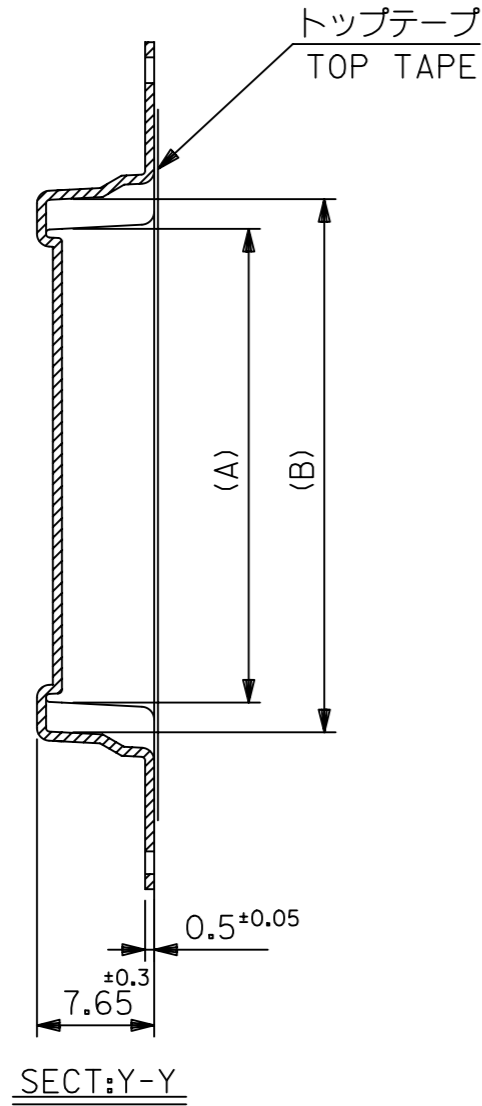


44	49.4	45.4	31.25	27.32	52610-2672	26		
			30.25	26.32	52610-2572	25		
			29.25	25.32	52610-2472	24		
			28.25	24.32	52610-2372	23		
			27.25	23.32	52610-2272	22		
			26.25	22.32	52610-2172	21		
			25.25	21.32	52610-2072	20		
			24.25	20.32	52610-1972	19		
			23.25	19.32	52610-1872	18		
			22.25	18.32	52610-1772	17		
			21.25	17.32	52610-1672	16		
キャリアテープ幅 CARRIER TAPE WIDTH			D	C	(B)	(A)	MATERIAL NO.	極数 CKT

THIS DRAWING CONTAINS INFORMATION THAT IS PROPRIETARY TO MOLEX ELECTRONIC TECHNOLOGIES, LLC AND SHOULD NOT BE USED WITHOUT WRITTEN PERMISSION

EC NO: 106044 DRWN: YMIZUNO02 CHK'D: YKOBAYASHI02 APPR: TKUSUHARA01	2016/10/12	2016/12/28	GENERAL TOLERANCES (UNLESS SPECIFIED)		DIMENSION UNITS	SCALE				
	RELEASED		ANGULAR TOL ± 3.0 °		MM	---				
			4 PLACES	± 0.2	DRWN BY	DATE		1.0 FPC CONN ZIF ASSY SMT ST EMBSTP PKG		
			3 PLACES	± 0.2	YMIZUNO02	2016/10/12				
			2 PLACES	± 0.2	CHK'D BY	DATE				
		1 PLACE	± 0.2	YKOBAYASHI02	2016/12/28					
		0 PLACES	± 0.2	APPR BY	DATE	PRODUCT CUSTOMER DRAWING				
				TKUSUHARA01	2016/12/28	SERIES	MATERIAL NUMBER	CUSTOMER		
						52610	SEE CHART	GENERAL		
						DOCUMENT NUMBER		DOC TYPE	DOC PART	SHEET NUMBER
						526100000		PSD	000	4 OF 5

RELEASE STATUS	RELEASE DATE
----------------	--------------

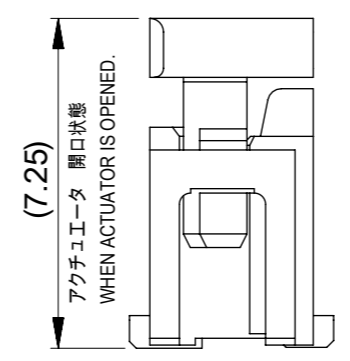
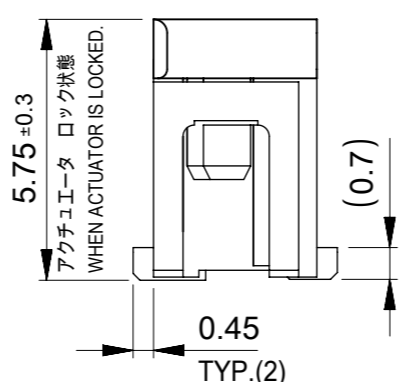
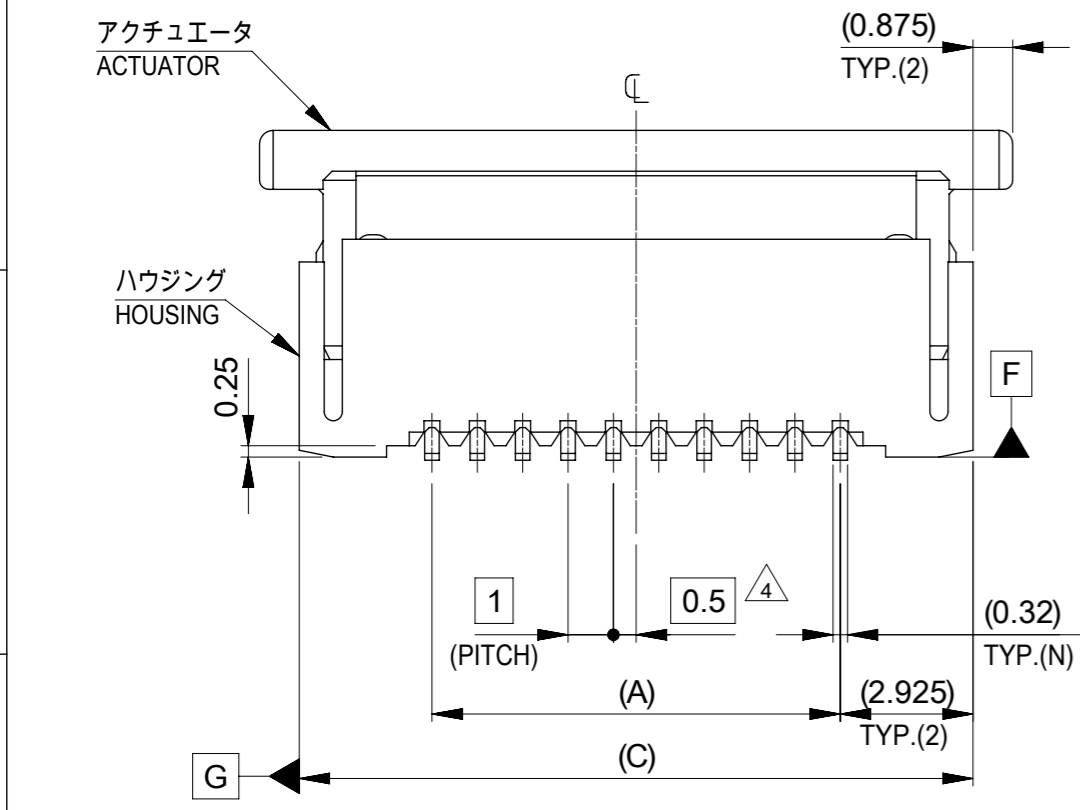
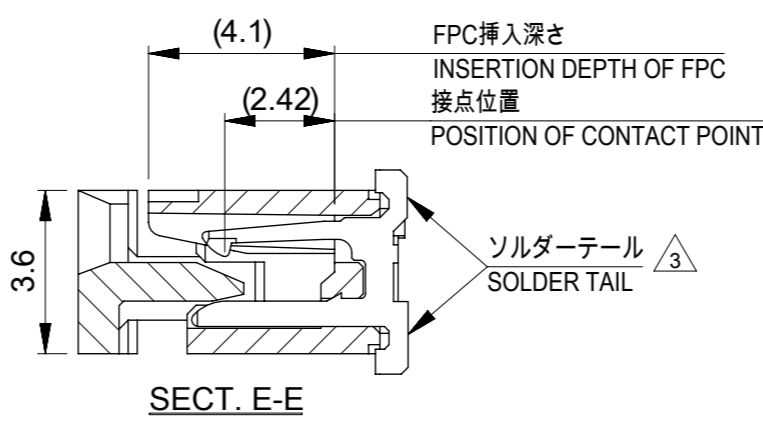
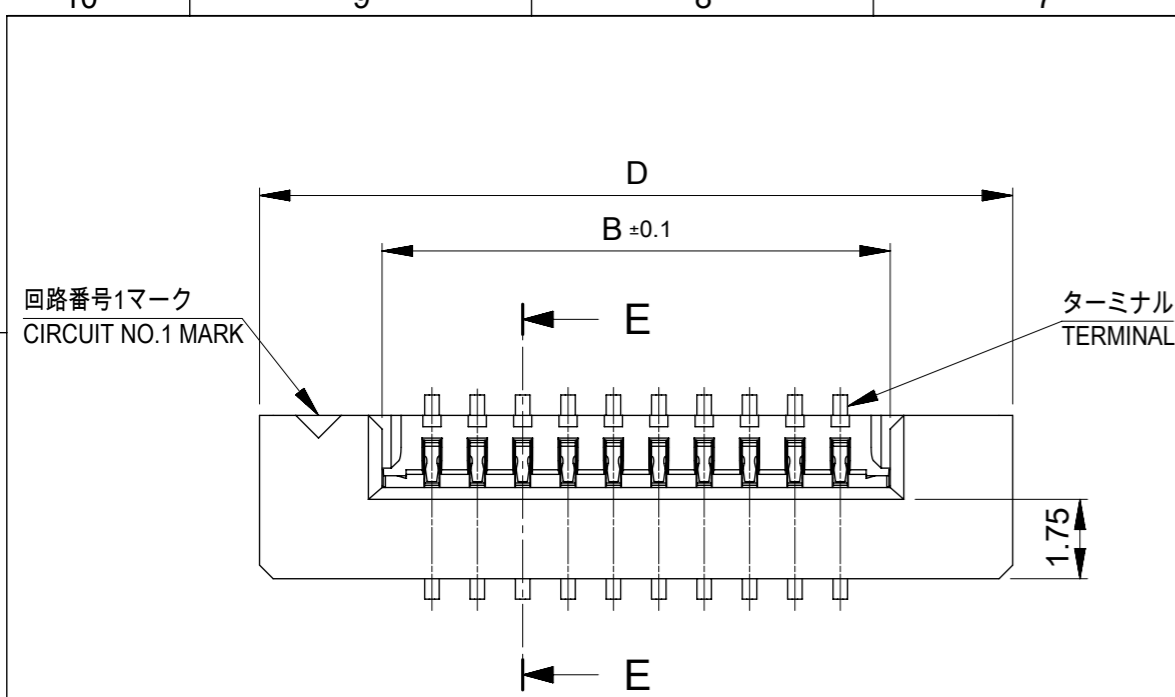


56	61.4	57.4	35.25	31.32	52610-3072	30
			33.25	29.32	52610-2872	28
キャリアテープ幅 CARRIER TAPE WIDTH	D	C	(B)	(A)	MATERIAL NO.	極数 CKT

THIS DRAWING CONTAINS INFORMATION THAT IS PROPRIETARY TO MOLEX ELECTRONIC TECHNOLOGIES, LLC AND SHOULD NOT BE USED WITHOUT WRITTEN PERMISSION

EC NO: 106044 DRWN: YMIZUNO02 CHK'D: YKOBAYASHI02 APPR: TKUSUHARA01	2016/10/12	2016/12/28	2016/12/28	GENERAL TOLERANCES (UNLESS SPECIFIED) ANGULAR TOL ± 3.0 ° 4 PLACES ± 0.2 3 PLACES ± 0.2 2 PLACES ± 0.2 1 PLACE ± 0.2 0 PLACES ± 0.2 DRAFT WHERE APPLICABLE MUST REMAIN WITHIN DIMENSIONS	DIMENSION UNITS	SCALE			
	RELEASED				MM	---			
					DRWN BY	DATE		YMIZUNO02	2016/10/12
					CHK'D BY	DATE		YKOBAYASHI02	2016/12/28
			APPR BY	DATE	TKUSUHARA01	2016/12/28	PRODUCT CUSTOMER DRAWING SERIES: 52610 MATERIAL NUMBER: SEE CHART CUSTOMER: GENERAL DOCUMENT NUMBER: 526100000 DOC TYPE: PSD DOC PART: 000 SHEET NUMBER: 5 OF 5		
			DRAWING SIZE	THIRD ANGLE PROJECTION	A3				

RELEASE STATUS	RELEASE DATE
----------------	--------------



36.6	34.85	31.2	29	52610-3072	30
34.6	32.85	29.2	27	52610-2872	28
32.6	30.85	27.2	25	52610-2672	26
30.6	28.85	25.2	23	52610-2472	24
29.6	27.85	24.2	22	52610-2372	23
28.6	26.85	23.2	21	52610-2272	22
27.6	25.85	22.2	20	52610-2172	21
26.6	24.85	21.2	19	52610-2072	20
25.6	23.85	20.2	18	52610-1972	19
24.6	22.85	19.2	17	52610-1872	18
23.6	21.85	18.2	16	52610-1772	17
22.6	20.85	17.2	15	52610-1672	16
21.6	19.85	16.2	14	52610-1572	15
20.6	18.85	15.2	13	52610-1472	14
19.6	17.85	14.2	12	52610-1372	13
18.6	16.85	13.2	11	52610-1272	12
17.6	15.85	12.2	10	52610-1172	11
16.6	14.85	11.2	9	52610-1072	10
15.6	13.85	10.2	8	52610-0972	9
14.6	12.85	9.2	7	52610-0872	8
13.6	11.85	8.2	6	52610-0772	7
12.6	10.85	7.2	5	52610-0672	6
11.6	9.85	6.2	4	52610-0572	5
D	(C)	B	(A)	MATERIAL NO.	極数 CKT

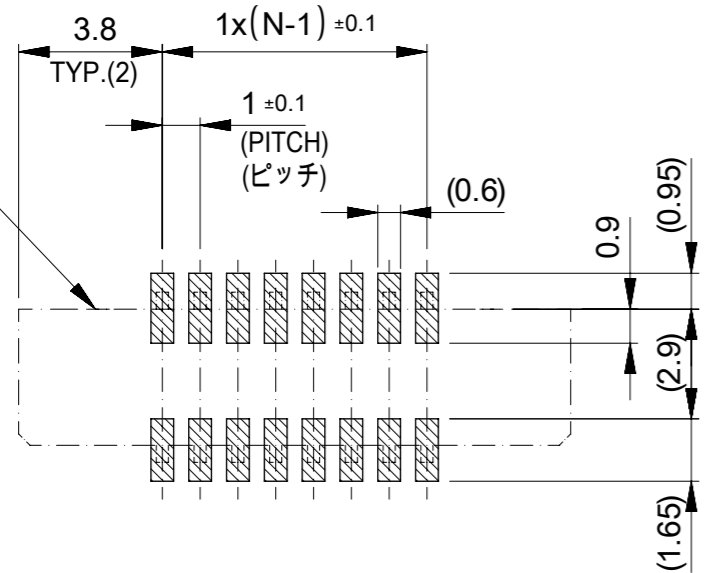
DOCUMENT STATUS	P1	RELEASE DATE	2023/04/07	10:47:37
-----------------	----	--------------	------------	----------

GENERAL TOLERANCES (UNLESS SPECIFIED)		
10 UNDER		±0.2
10 OVER 30 UNDER		±0.25
30 OVER		±0.3

THIS DRAWING CONTAINS INFORMATION THAT IS PROPRIETARY TO MOLEX ELECTRONIC TECHNOLOGIES, LLC AND SHOULD NOT BE USED WITHOUT WRITTEN PERMISSION

DIMENSION UNITS	SCALE	CURRENT REV DESC:	
mm	---		
GENERAL TOLERANCES (UNLESS SPECIFIED)		molex	
ANGULAR TOL ± 3.0°		1.0 FPC CONN ZIF S/T HOUSING ASSY	
4 PLACES ± 0.03		PRODUCT CUSTOMER DRAWING	
3 PLACES ± 0.03		DOCUMENT NUMBER	
2 PLACES ± 0.05		526101000	
1 PLACE ± 0.1		DOC TYPE	
0 PLACES ± 0.2		PSD	
DRAFT WHERE APPLICABLE MUST REMAIN WITHIN DIMENSIONS		DOC PART	
THIRD ANGLE PROJECTION		000	
DRAWING		REVISION	
A3-SIZE		C	
SERIES		MATERIAL NUMBER	
52610		SEE TABLE	
CUSTOMER		GENERAL	
SHEET NUMBER		1 OF 2	

コネクタ位置
CONNECTOR
LOCATION

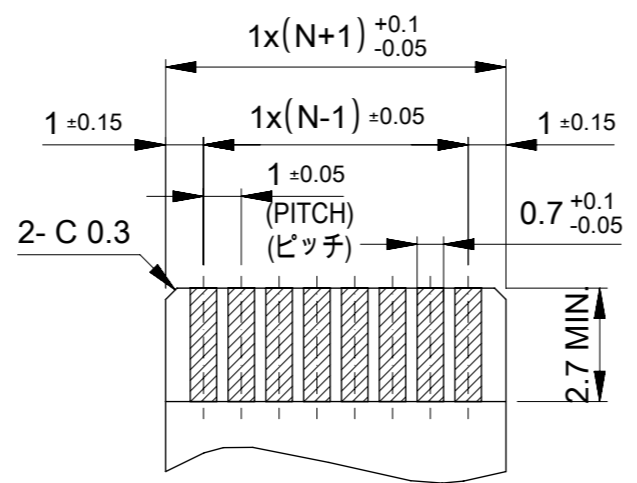


参考基盤レイアウト
RECOMMENDED P.C. BOARD
PATTERN LAYOUT (REFERENCE)

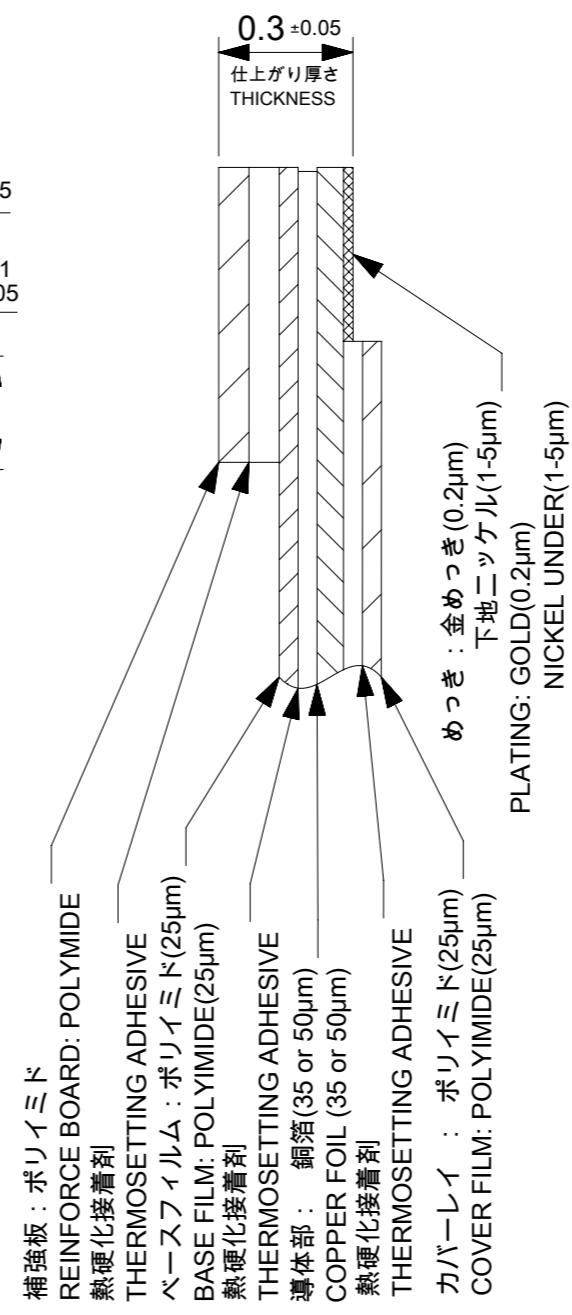
マスク厚 : 120μm
マスク開口率 : 100%
SCREEN THICKNESS : 120 MICROMETER
SCREEN OPEN RATIO : 100%

注記(NOTES):

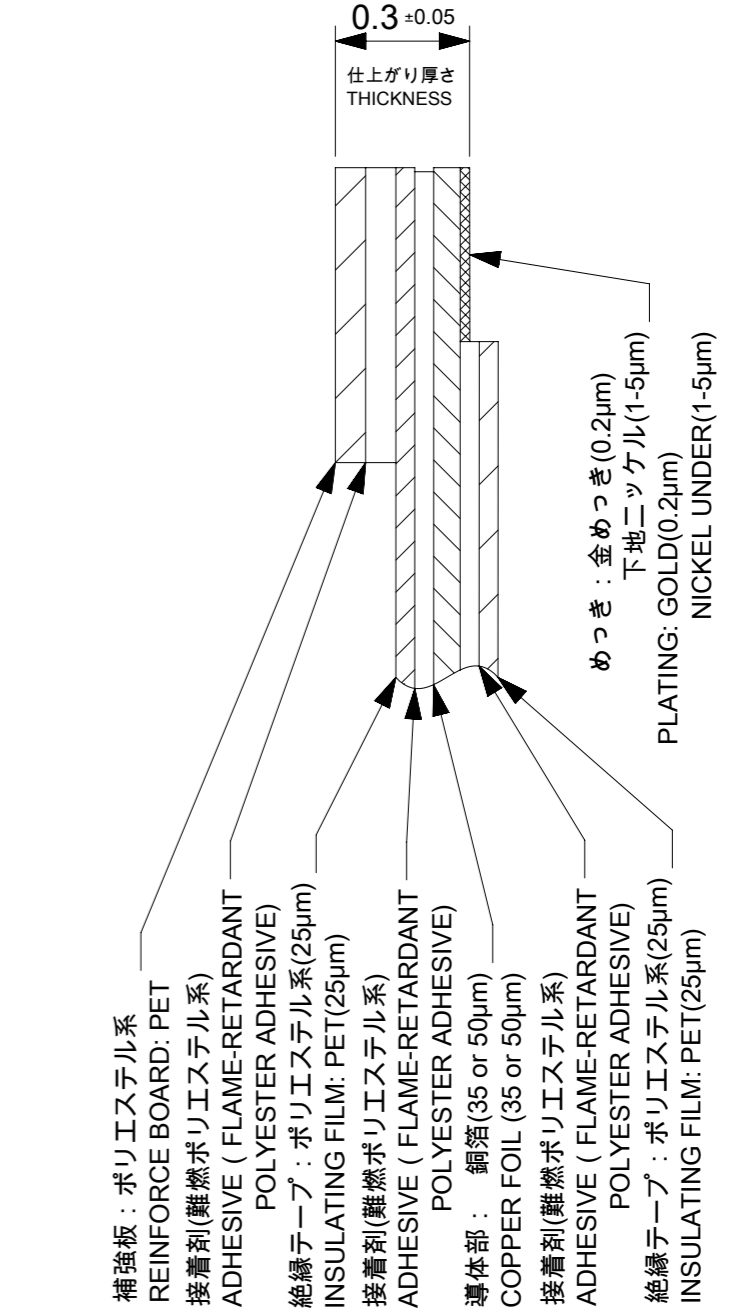
- 材質 MATERIAL
ハウジング : 46ナイロン、ガラス充填、UL94V-0、ナチュラル(白色)
アクチュエータ : PPS、ナチュラル(茶色)、ガラス充填、UL94V-0
ターミナル : リン青銅(t=0.32)
HOUSING : 46NYLON, GLASS FILLED, UL94V-0, NATURAL(WHITE)
ACTUAOR : PPS, NATURAL(BROWN), GLASS FILLED, UL94V-0
TERMINAL : PHOSPHOR BRONZE(t=0.32)
 - めっき仕様 PLATING
ターミナル TERMINAL
接点部 : 金めっき(0.1μm以上)
テール部 : 錫めっき(1.0μm以上)
下地 : ニッケルめっき(1.0μm以上)
CONTACT : GOLD PLATING (0.1 MICROMETER MINIMUM)
TAIL : MATTE TIN (1.0 MICROMETER MINIMUM)
UNDER PLATE : NICKEL PLATING (1.0 MICROMETER MINIMUM)
3. ソルダーテール半田付け面のズレ量は、基準面 **F** に対し
上方向0.05MAX.、下方向0.15MAX.とする。
MISALIGNMENT OF SOLDER TAILS FROM **F** UPPER DIREVTION : 0.05 MAX.
LOWER DIRECTION : 0.15 MAX.
4. 偶数極に適用。
APPLY FOR EVEN CIRCUIT.
5. エンボステーブ梱包時は、アクチュエータがロックした状態とする。
IN THE PACKAGE, ACTUATOR SHOULD BE LOCKED.
6. 本製品は52610シリーズの接点金めっき品である。
THIS PRODUCT IS Au-CONTACT OF 52610 SERIES.



適合FPC/FFC推奨寸法
APPLICABLE FPC/FFC
RECOMMENDED DIMENSION
(仕上がり厚さ : 0.3±0.05)
(THICKNESS : 0.3±0.05)



FPC構成推奨仕様
RECOMMENDED STRUCTURE OF FPC



FFC構成推奨仕様
RECOMMENDED STRUCTURE OF FFC

FPC/FFCについて：
抜き方向は、導体側から補強板側を推奨致します。
尚、接着剤の接点部への付着は導通不良の原因になりますので、
染み出しが無い様お願い致します。

ABOUT FPC/FFC:
RECOMMENDED PUNCHER DIRECTION:
FROM CONDUCTOR SIDE TO STIFFNER SIDE
PLEASE PUT APPROPRIATE AMOUNT OF ADHESIVE ON ADHEREND
BECAUSE THERE IS A POSSIBILITY THAT THE EXTRA ADHESIVE
CAUSES THE DEFECT IN ELECTRICAL CONTINUITY.

GENERAL TOLERANCES (UNLESS SPECIFIED)		
10 UNDER	±0.2	
10 OVER 30 UNDER	±0.25	
30 OVER	±0.3	

THIS DRAWING CONTAINS INFORMATION THAT IS PROPRIETARY TO MOLEX ELECTRONIC TECHNOLOGIES, LLC AND SHOULD NOT BE USED WITHOUT WRITTEN PERMISSION									
DIMENSION UNITS		SCALE		CURRENT REV DESC:					
mm		---							
GENERAL TOLERANCES (UNLESS SPECIFIED)									
ANGULAR TOL ± 3.0°									
4 PLACES		± 0.03		EC NO: 745355		2023/04/06		1.0 FPC CONN ZIF S/T HOUSING ASSY	
3 PLACES		± 0.03		DRWN: RAJMOK		2023/04/07			
2 PLACES		± 0.05		CHK'D: HSHIMOYAMA		2023/04/07			
1 PLACE		± 0.1		APPR: HSHIMOYAMA		2023/04/07		PRODUCT CUSTOMER DRAWING	
0 PLACES		± 0.2		INITIAL REVISION:				DOCUMENT NUMBER	
				DRWN: YMIZUNO02		2016/10/12		526101000	
				APPR: TKUSUHARA01		2016/12/28		DOC TYPE	
DRAFT WHERE APPLICABLE MUST REMAIN WITHIN DIMENSIONS		THIRD ANGLE PROJECTION		DRAWING		SERIES		DOC PART	
				A3-SIZE		52610		REVISION	
				MATERIAL NUMBER		CUSTOMER		SHEET NUMBER	
				SEE SHEET-1		GENERAL		2 OF 2	