

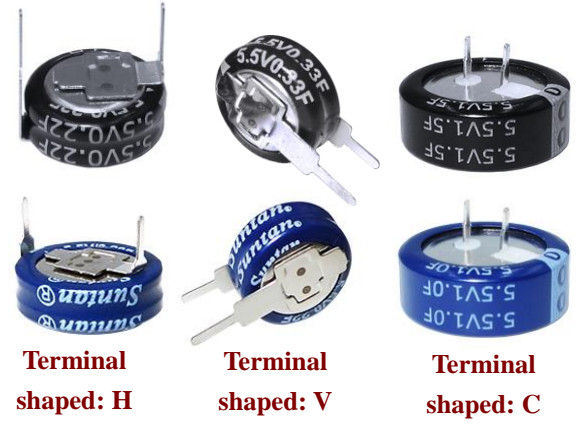
# COIN TYPE ULTRA CAPACITOR

Suntan®

# TS12-01

## FEATURES

- Standard coin-type
- Small-sized, large capacity



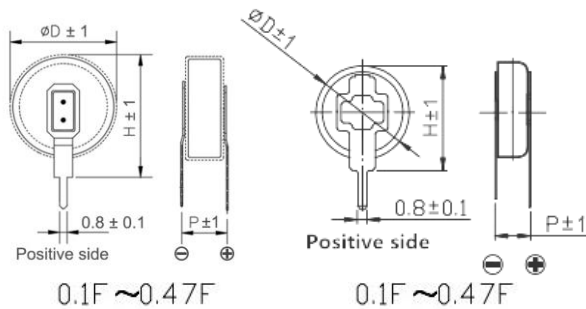
## APPLICATIONS

- RAM, Detonator, car recorder, smart meter, vacuum switch, digital camera, motor drive, clock circuit, UPS, toy, program-controlled switch, etc.

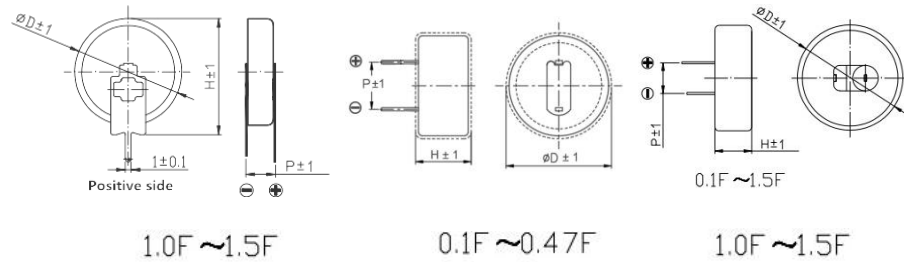
SPECIFICATIONS	
Series name	TS12-01 Series
Rated voltage $V_R$	5.5V
Surge voltage	5.8V
Capacity range	0.1F~1.5F
Operating temperature range	-25~ +70°C
Product life	Normal temperature cycle life : 25°C , 500,000 cycles between $V_R$ and $1/2V_R$ , Capacity attenuation $\leq 30\%$ , ESR change $\leq 4$ times.
	High temperature endurance life : 70°C , maintain $V_R$ , 1000 hours. Capacity attenuation $\leq 30\%$ , ESR change $\leq 4$ times.

## DIMENSIONS (mm)

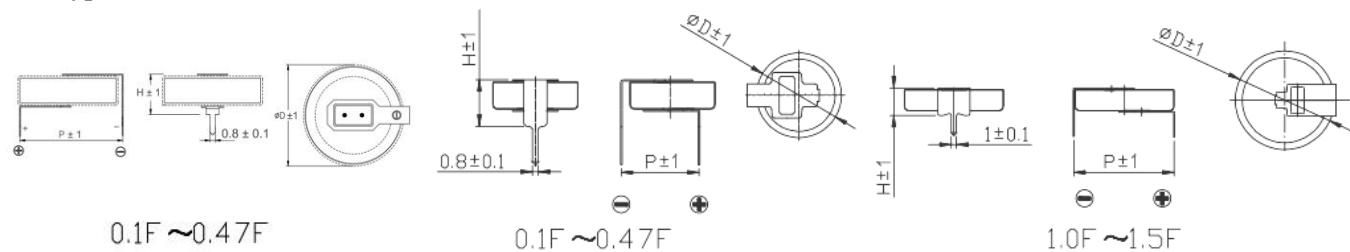
### V Type



### C Type



### H Type

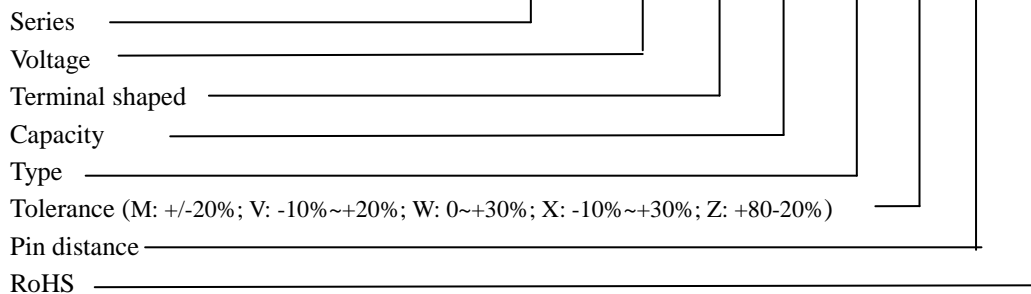


Note: Specification are subject to change without notice. For more detail and update, please visit our website.

# TS12-01

## HOW TO ORDER

**TS12-01 - 5R5 - C - 104 - D - W - B - R**



## STANDARD RATINGS

Model	Terminal shaped:	Capacity F	ESRΩ		Product size (mm)		
			DC	AC 1kHz	Diameter	Height	Pin distance
TS12-01-5R5-C104DWBR	C	0.1	100	50	13.0	6.5	5
TS12-01-5R5-H104DWDR	H	0.1	100	50	11.5	6.4	10.5
TS12-01-5R5-V104DWRR	V	0.1	100	50	11.5	12.3	4.7
TS12-01-5R5-C224DWBR	C	0.22	80	40	13.0	6.5	5
TS12-01-5R5-H224DWDR	H	0.22	80	40	11.5	6.4	10.5
TS12-01-5R5-V224DWRR	V	0.22	80	50	11.5	12.3	4.7
TS12-01-5R5-C334DWBR	C	0.33	80	40	13.0	6.5	5
TS12-01-5R5-H334DWDR	H	0.33	80	40	11.5	6.4	10.5
TS12-01-5R5-V334DWRR	V	0.33	80	40	11.5	12.3	4.7
TS12-01-5R5-C474DWBR	C	0.47	80	40	13.0	6.5	5
TS12-01-5R5-H474DWDR	H	0.47	80	40	11.5	6.4	10.5
TS12-01-5R5-V474DWRR	V	0.47	80	40	11.5	12.3	4.7
TS12-01-5R5-C684DWBR	C	0.68	30	15	20.9	10	5
TS12-01-5R5-C105DWBR	C	1	30	15	20.5	7.4	5
TS12-01-5R5-H105DWFR	H	1	30	15	18.7	6	20
TS12-01-5R5-V105DWBR	V	1	30	15	18.7	20.2	5
TS12-01-5R5-C155DWBR	C	1.5	20	10	20.5	7.4	5
TS12-01-5R5-H155DWFR	H	1.5	20	10	18.7	6	20
TS12-01-5R5-V155DWBR	V	1.5	20	10	18.7	20.2	5

Note: Specification are subject to change without notice. For more detail and update, please visit our website.