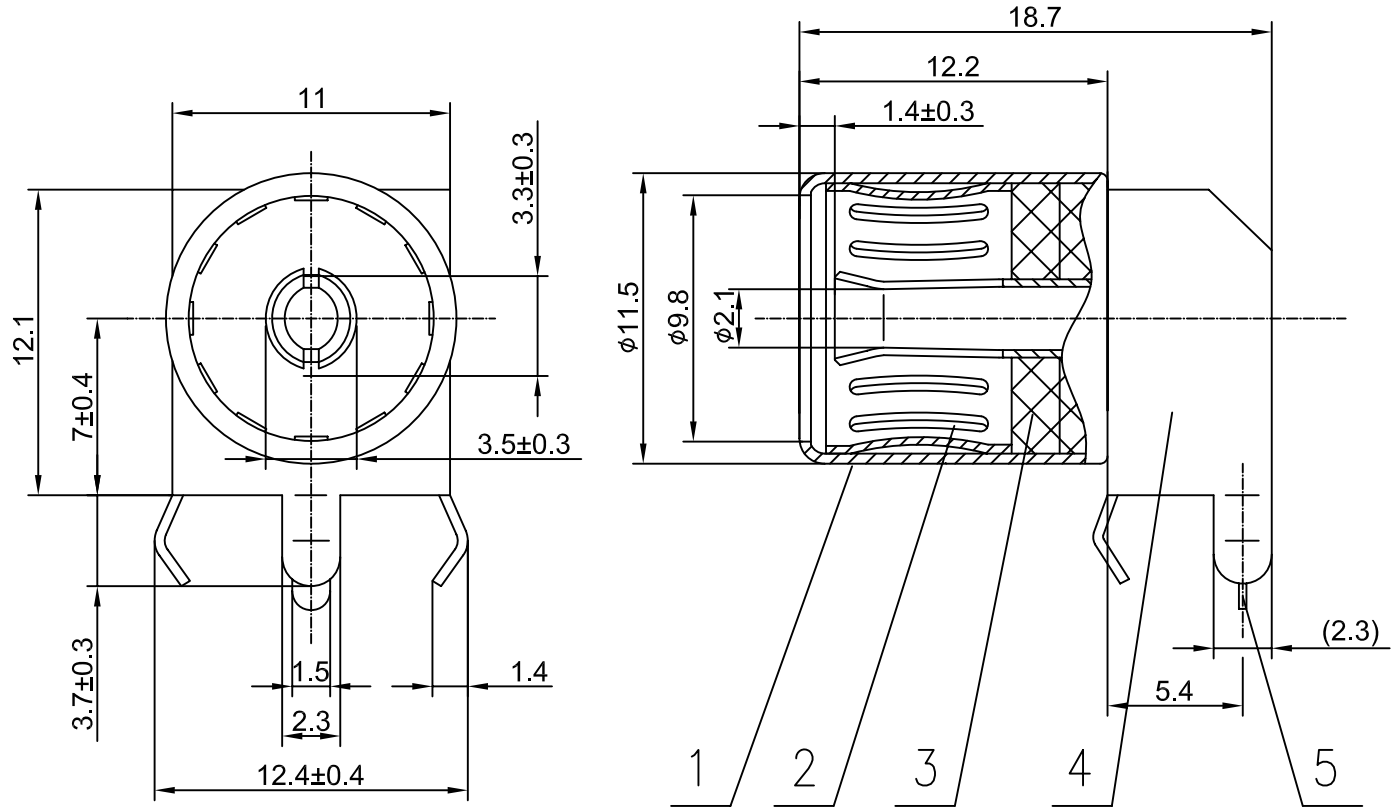
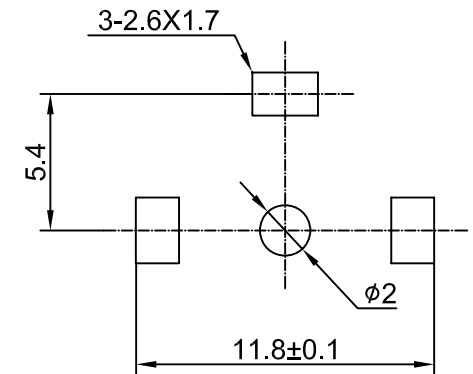


RoHS  
Compliant  
Drawing For  
Reference Only



Dimension of PC board holes (Commend)



Technical requirement :  
 1. This product should meet EU RoHS related requirement.  
 2. The surface of plastic part should be without any crackle such as burr,lack,and so on phenomenon.  
 3. The surface of metal part should be without any defect such as scaur,nick,oxidation and plating problem.  
 4. The electronic performance should be the same as spec.  
 5. The un-specified tolerance is : <math><6\pm 0.1</math>  
     6~20±0.2  
     >20±0.3

5	Radio-Frequency Needle	1	H62 t=0.3	CuSn
4	Base	1	H62 t=0.4	CuSn
3	Insulator	2	Fiberglass	----
2	Contact Cover	1	QSn6.5-0.1 t=0.25	CuSn
1	Outer Conductor	1	H65 t=0.4	CuSn
No.	Name	QTY	Material	Plating

**DCI DRAGON CITY INDUSTRIES LIMITED**

Item Name	TV Socket	Tolerance :	Design	K.W Law	Remark	Scale
Item No.	TV-205	Unit : mm	Drawing	W.K Yeung	Remark	Material
			Check	K.L Wong	Remark	Drawing No.
			Approval	K.W Chan	Remark	Sheet

90326-1114