

Data sheet

Commercial Art.No.: 93.432.2353.1

Device connector BST14I3F S1 R SW

Device connectors, snap-in panel mount, BST14i3, 4 pole, male, spring clamp connection, 50V/3A, color of coding: black, color of frame: black



Commercial Art.No.	93.432.2353.1
EAN	4015573492196
Order Unit	1

Certificates / Approvals



Technical data

General

Rated current	3 A
Rated voltage	50 V
Pollution degree	2
Mechanical coding	yes
Rated impulse voltage	0.8 kV
Lockable	self-locking (unlocking by hand)
Color of coding/ contact carrier	black
Marking of poles	1+, 2-

Connection Data

Connection cross section solid mm ² max.	0.75 mm ²
Connection cross section solid mm ² min.	0.25 mm ²
Terminations per pole	1
Wire strip length	9 mm

Model

Model	male
Connection type	spring clamp connection
Angle of plug	straight
Degree of protection (IP)	IP20
Thickness of housings (electrical device) 2	0.5 mm
Thickness of housings (electrical device)	1.5 mm

built-in component	snap-in
--------------------	---------

Material

Housing material	Polyamide
halogen free	yes
Contact material	CuBe
Fire load	0.03 kWh
Insulation components continuous temperature	100 °C
Surface finish	Gilt

Dimensions

Length	29.9 mm
Width	19.6 mm
Height	19.6 mm

Classification

ECLASS 11	
ECLASS 8.1	27440602
ETIM 7.0	EC002566
ETIM 6.0	EC002566
ETIM 5.0	EC002566
ETIM 4.0	EC002566

Product compliance

ROHS conformity status	Compliant
REACH-SVHC conformity status	Compliant

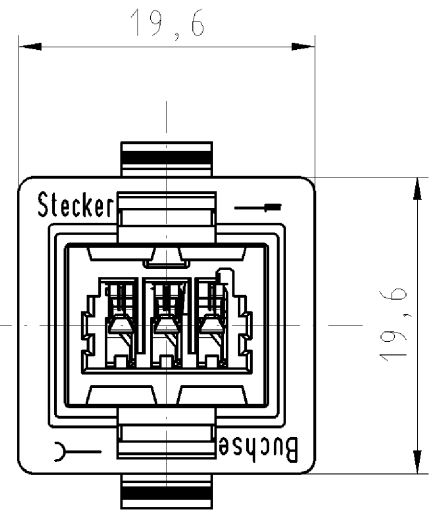
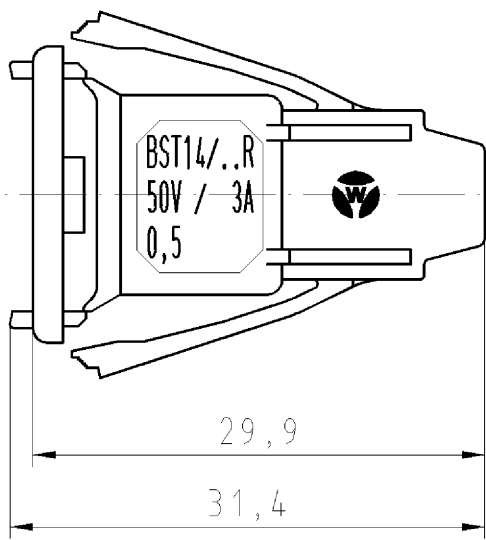
Accessories

Commercial Art.No.:	Article-type description:	Description:
07.425.8453.0	Cover BST14/GST15i2/RJ45 WS	Cover to close unused openings for BST14 panel mounts. Cover: white

Fits with

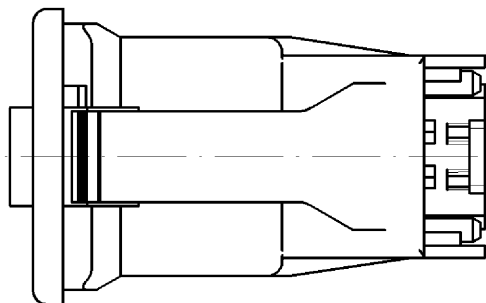
Commercial Art.No.:	Article-type description:	Description:
93.431.2553.1	Connector BST14i3F B1 ZR1 MSW	Connector BST14i3, 3 pole, female, spring clamp connection, 50V/3A, color of coding: black, color of housing: black

These dimensions will be especially checked at delivery
 Only inspection dimensions
 With /E marked dimensions are only valid for internal use



Blechdicke 0,5 - 1,5 mm
 material thickness 0,5 - 1,5mm

Diese Maße werden bei Abnahme besonders geprüft
 Ausschließlich Prüfmaße
 Mit /E gekennzeichnete Maße sind nur für interne Zwecke gültig



Weitere Daten siehe Katalog
 further data see catalog

Teilenummer part number	Farbe colour	Typ type
93.432.2353.0	weiß, ähnl./white sim. RAL 9003	BST1413F S1 R WS
93.432.2353.1	schwarz, ähnl./sim. RAL 9005	BST1413F S1 R SW

Tolerierung nach DIN 7167/Tolerance system acc. to DIN 7167. (This DIN-standard describes the envelope principle. According to the envelope principle the deviations of form and parallelism are limited by the size tolerances). ja/yes Stoffverbots- und Deklarationsliste nach UU-TQM-05/03 ist einzuhalten. Conformity with Wieland document UU-TQM-05/03 (list of prohibited / declarable hazardous substances) to be declared!

Freitoleranz nach - General tolerance CAD - Zeichnung, keine manuellen Änderungen CAD - drawing, no manual modifications allowed 1.Verwendung: - First Use: Blatt: 1 von 1 Sheet: of 1

Werkstoff/Material		2008	Tag/Date	Name	Zeichnung Nr./Drawing No.		Index
Maßstab/Scale 2:1		gezeichnet drawn	06.08.	Schmitt J.	T	93.432.2353.0 01K	
		geprüft checked	-	-			
		Normgepr. Stand. check	-	-			
Vol. mm ³ OfI./Surf. mm ²		Ersatz für/Replacement for: -					
 wieland Elektrische Verbindungen		Type	Benennung/Tittle				
		STECKERTEIL_SNAP_IN male connector snap-in, spring-loaded					
Index	Datum / Blatt Date / Sheet						
Änderung/Revision							

Weitergabe sowie Vervielfältigung dieses Dokuments, Verwertung und Mitteilung seines Inhalts sind verboten, soweit nicht ausdrücklich gestattet. Die Reproduktion, Distribution und Utilization of this document as well as the communication of its contents to others without express authorization is prohibited.

934322353001K_4 CADW1042 Schmitt 2008-08-06T10:57:18 1.000