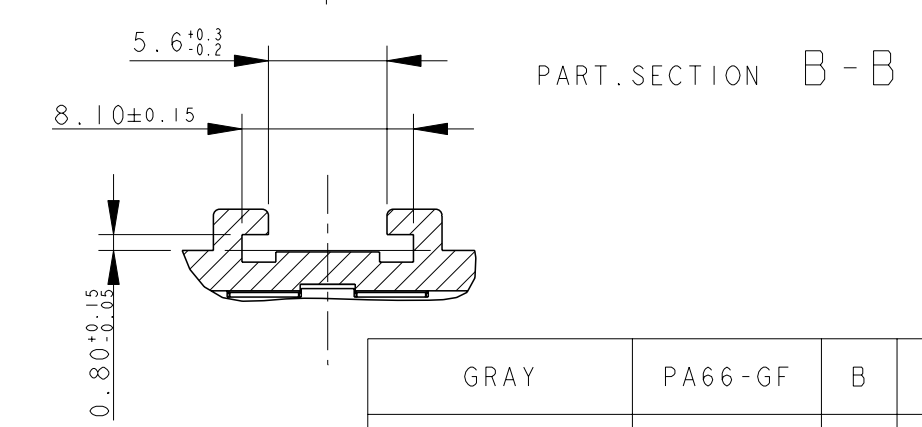
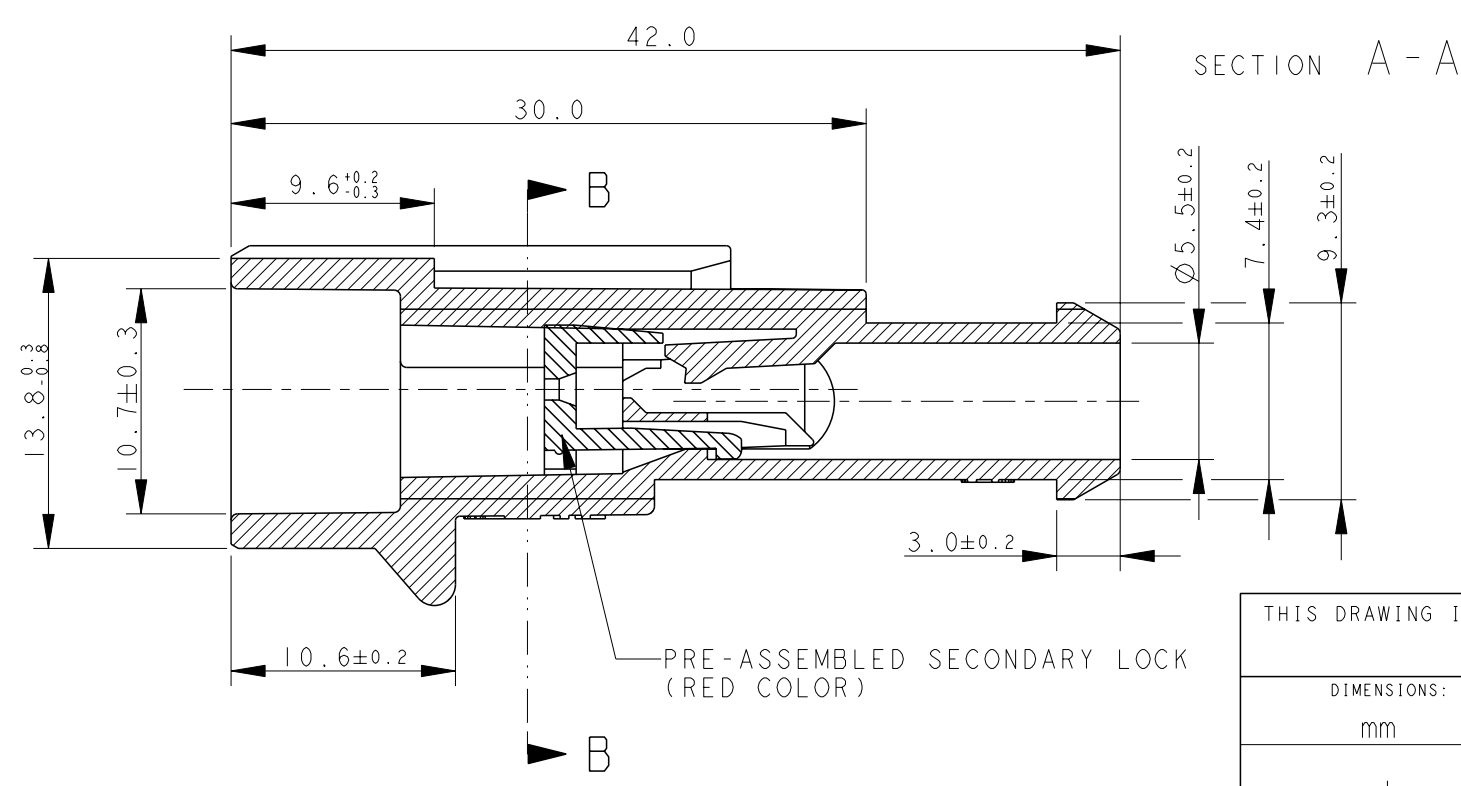
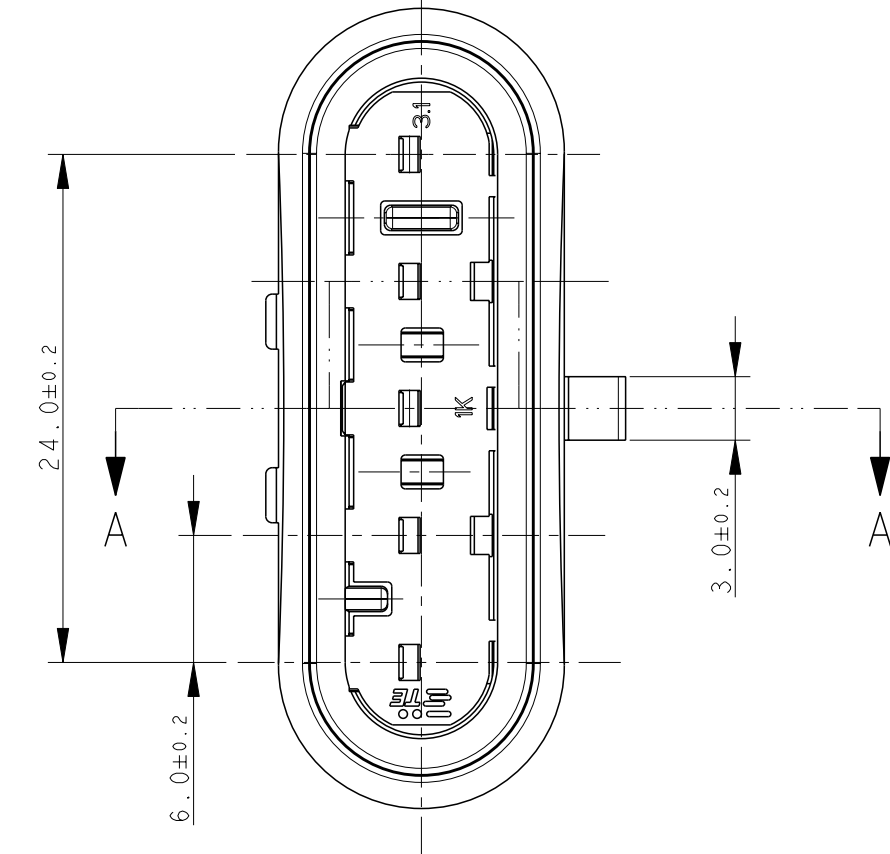
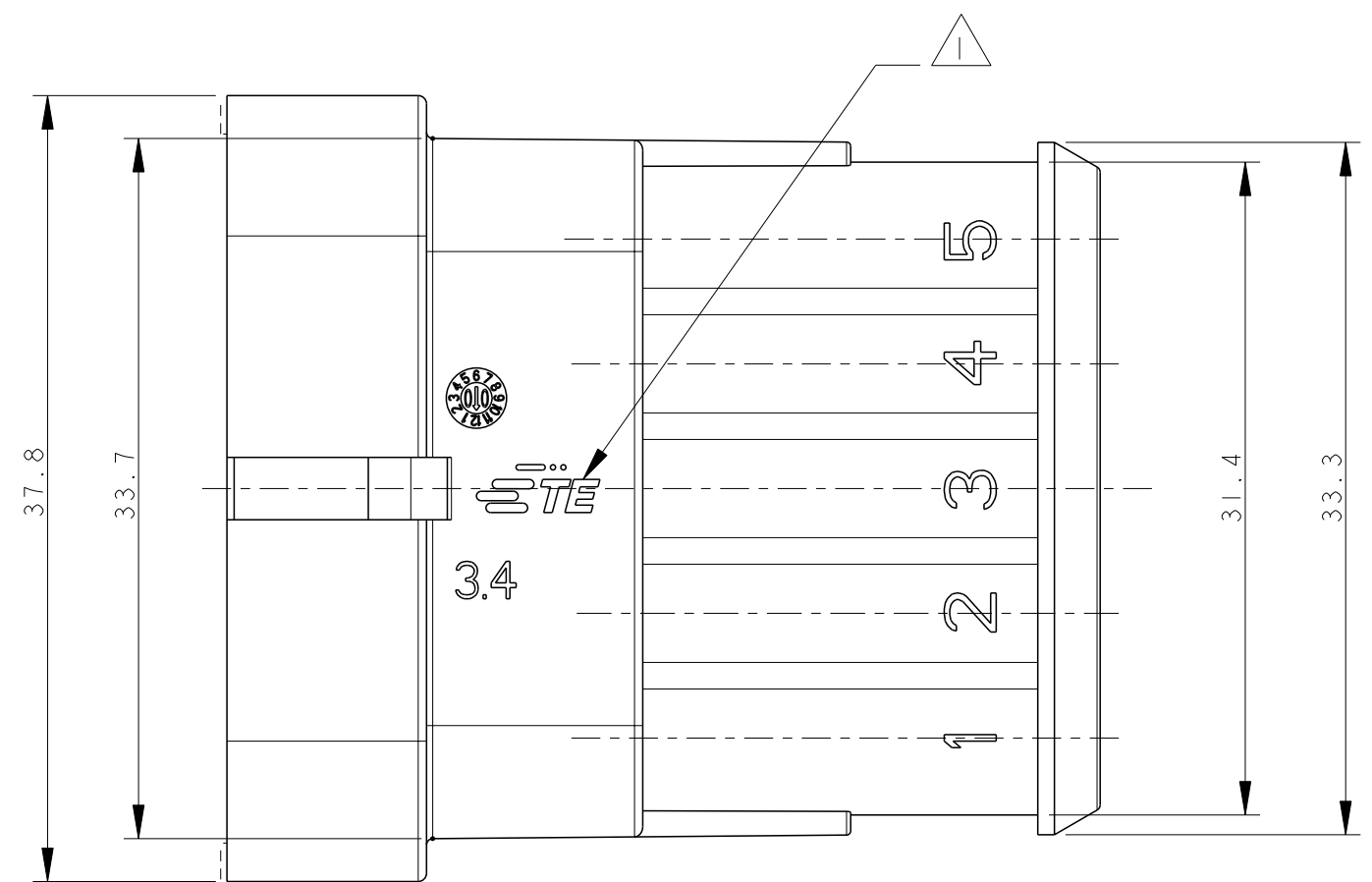


THIS DRAWING IS UNPUBLISHED. RELEASED FOR PUBLICATION 2009  
 © COPYRIGHT 2009 BY - ALL RIGHTS RESERVED.

REVISIONS				
P	LTR	DESCRIPTION	DATE	APVD
	B1	REVISED PER ECO-17-009774	06SEP2017	M.G. M.G.



GRAY	PA66-GF	B	282107-2
BLACK	PA66-GF	B	282107-1
FINISH/COLOR	MATERIAL	REV	PART NUMBER

TE CONNECTIVITY TRADE MARK,  
 (IN ALTERNATIVE: "AMP" LOGO, OR "Tyco Electronics" LOGO)

THIS DRAWING IS A CONTROLLED DOCUMENT.

DWN	C. BERTINI	02-1990
CHK	A. BRUNI	02-1990
APVD	-	-
PRODUCT SPEC	108-20090	
APPLICATION SPEC	412-20000	
WEIGHT	7.72g	

NAME: AMP SUPERSEAL 1.5 SRS. 5 POSITIONS TAB ASS'Y

SIZE	CAGE CODE	DRAWING NO	RESTRICTED TO
A300779	C=282107		-

CUSTOMER DRAWING      SCALE      SHEET 1 OF 1      REV B1