

Transmittal, reproduction, dissemination and/or editing of this document as well as utilization of its contents and communication thereof to others without express authorization are prohibited.  
未经允许禁止传输、复制、编辑该文档，以及利用其内容进行交流

| REVISION RECORD |    |             |      |      |
|-----------------|----|-------------|------|------|
| REV             | CN | DESCRIPTION | DRFT | DATE |
|                 |    |             |      |      |

General information:

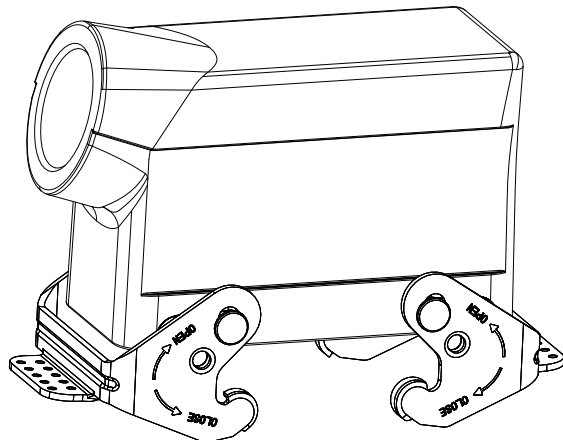
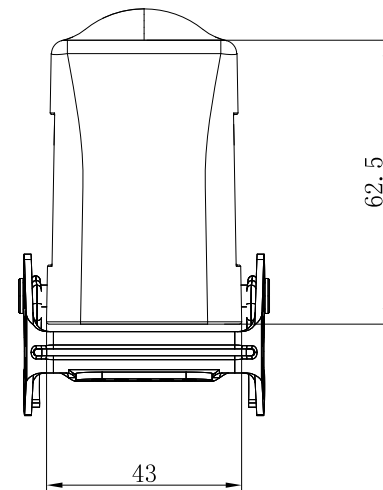
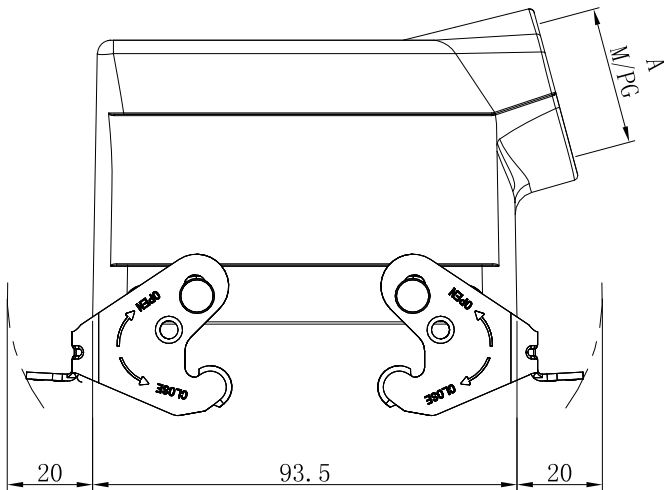
1. Material: Aluminium die-cast
2. Colour: Grey
3. Surface: Powder-coated
4. Operating temperature: -40°C~+125°C
5. Degree of protection acc.to DIN EN60529 for coupled connector: IP65
6. Locking element:  
Locking type: Single locking latch  
Material: Metal galvanized/nickel plating
7. Outgoing direction: Side entry
8. Thread specifications: M/PG
9. Hoods&Housings seal: NBR
10. Undimensioned Tolerances:

| Pitch | Range In mm |      | Nominal Dimension In mm | Range | Tolerance |
|-------|-------------|------|-------------------------|-------|-----------|
|       | TO          | OVER |                         |       |           |
| 6     | 6           | 10   | 6                       | 10    | 0.1/10    |
| 10    | 10          | 24   | 10                      | 30    | ≤         |
| 15    | 15          | 30   | 15                      | 60    | ±0.15     |
| 20    | 20          | 48   | 20                      | 100   | ±0.30     |
| 25    | 25          | 60   | 25                      | 150   | ±0.50     |
| 30    | 30          | 90   | 30                      | 200   | ±0.70     |
| 35    | 35          | 120  | 35                      | 300   | ±1.00     |
| 40    | 40          | 150  | 40                      | 400   | ±1.30     |
| 45    | 45          | 200  | 45                      | 500   | ±2*       |

HOW TO ORDER:

S16B-BM-1L.M

- Locking lever — 1L: 1 levers(plastic) 2B: 2 bolts  
2L: 2 levers(plastic) 4B: 4 bolts  
1L.M: 1 levers(Metal)  
2L.M: 2 levers(Metal)
- Housing type — SE: Side entry  
SEH: Side entry-high construction  
TE: Top entry  
TEH: Top entry-high construction  
BM: Bulkhead mounted  
SM: Sufeface mounted  
SMH: Sufeface mounted-high construction  
CC: Cable to cable  
CCH: Cable to cable high construction
- Sereies — S3A: 3A Compact type  
S10A: 10A Compact type  
S16A: 16A Compact type  
S32A: 32A Compact type  
S6B: 6B Standard type  
S10B: 10B Standard type  
S16B: 16B Standard type  
S24B: S24B Standard type  
S32B: S32B Standard type  
S48B: S48B Standard type



|                    |         |
|--------------------|---------|
| Order number       | A       |
| S16B-SE-2L. M-M20  | M20×1.5 |
| S16B-SE-2L. M-PG16 | PG16    |

|                  |                   |            |                   |                   |  |               |             |
|------------------|-------------------|------------|-------------------|-------------------|--|---------------|-------------|
| 订货号<br>Order No. | S16B-SE-2L. M-XXX |            | 名称<br>Name        | S16B侧出线<br>金属两扣上壳 | 未注公差<br>Tolerance                              | 表面<br>Surface |             |
| 项目<br>Item       | 签字<br>Signature   | 日期<br>Date | 图号<br>Drawing No. | /                 | Tolerances Table                               |               | VDI21       |
| 设计<br>Design     | CHH               | 2024.07.18 | 材料<br>Material    | /                 | 版本号<br>Revision Number                         | 重量<br>Weight  | 比例<br>Scale |
| 审核<br>Check      | CHH               | 2024.07.18 | 物料号<br>Item No.   | /                 | MO   | /             | 1:1         |
| 工艺<br>Process    | -                 | -          |                   | /                 | 第1页/共1页 1 of 1                                 | mm            |             |
| 标准化<br>Unify     | -                 | -          |                   | ...               | 宁波盛普电子有限公司<br>NINGBO SUPU ELECTRONICS CO.,LTD. |               |             |
| 批准<br>Approve    | XJ                | 2024.07.18 |                   | /                 |  |               |             |