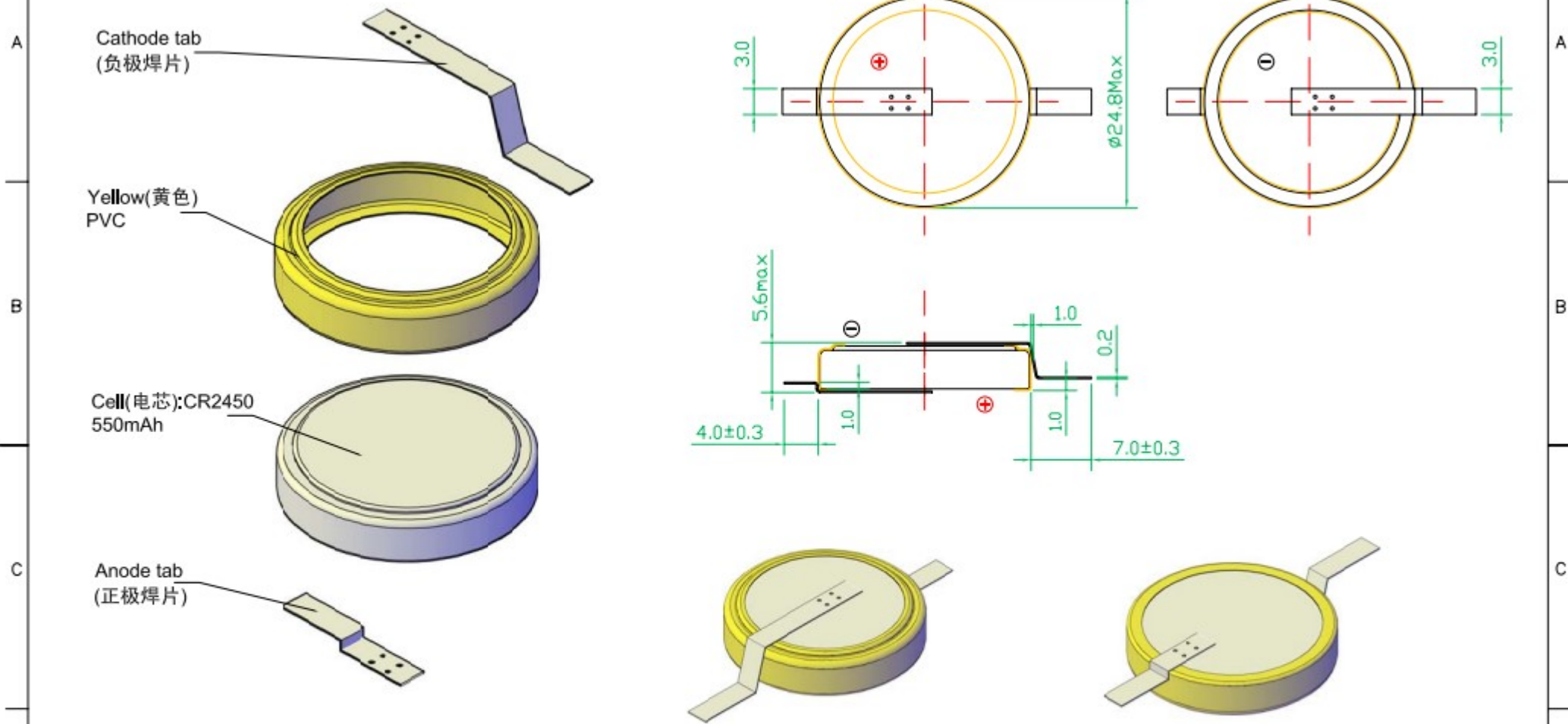


(Scale: 1.8 : 1)



Remark(备注):

1. Cell(电芯): Button, Yellow PVC, with date code(扣式, 包黄色 PVC, 表面喷码)
2. Cathode/Anode tab: Stainless steel plated with nickel  
正/负极焊片材质: 不锈钢镀镍
3. RoHS Compliant  
严格按照ROHS要求生产



Title	CR2450-LGY2	Drawn:		Revise No.:	
		Checked 1:		Projection:	
File NO.		Checked 2:		Page:	1/1
		Approved:		Scale:	1.5: 1
		Draw Date:	2015/03/30	Unit:	mm