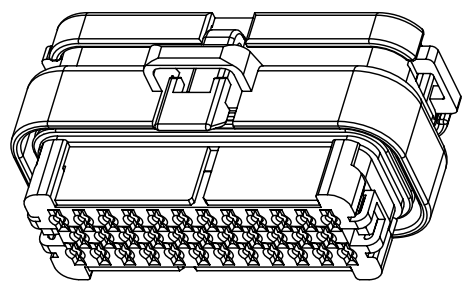
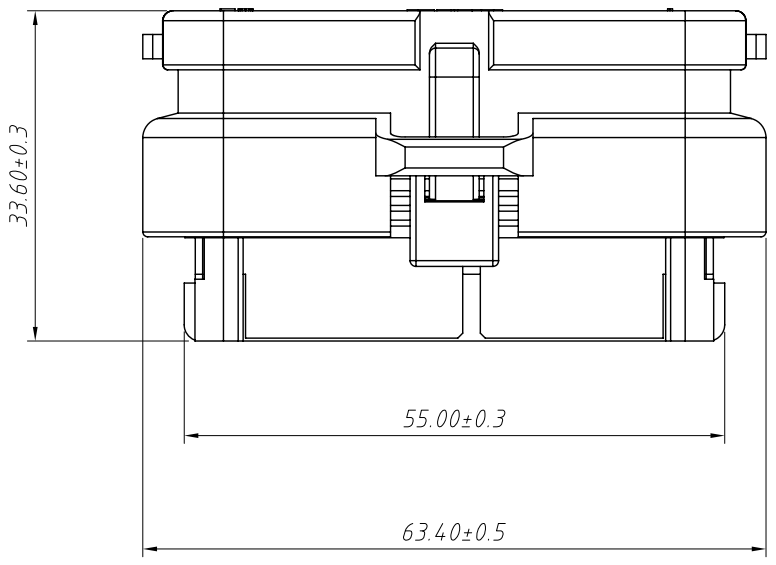
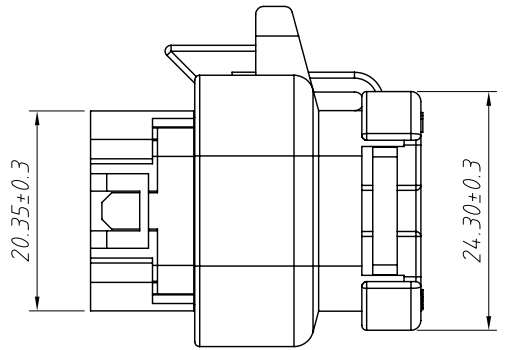
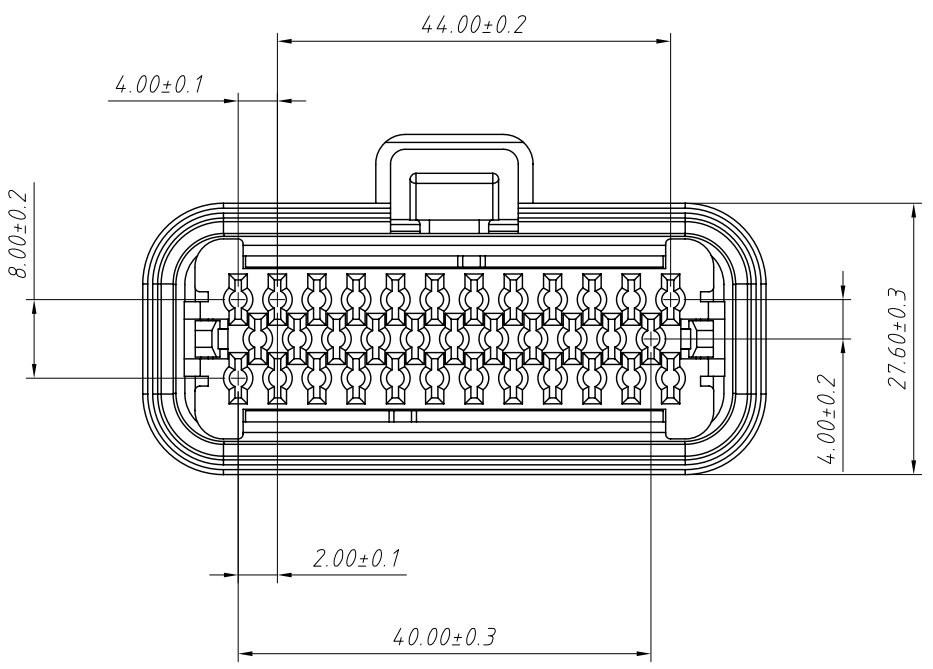


1
RoHS Compliance



Material:
Housing:PBT,Black.

- Technical Features:
1. No of Positions:35P
 2. Applicable Terminal P/N :L-KLS13-CA004-T
 3. Wire Range:AVSS,AVSSH-F 0.5~1.25mm²
 4. Temperature Range:-40°C to 125°C
 5. Fully sealed and submersible IP67rating



Order Information:
L-KLS13-CA004-35-H

L: RoHS
Serial No
XX-No.of pins
Type:
H-Housing
S-Vertical Header
R-Horizontal Header
T-Terminal

ANGLE TOLERANCE	PROJECTION	Description:	35 Pin AMPSEAL Connector Housing,Black
±3°			
GENERAL TOLERANCE	UNITS	mm	KLS P/N: L-KLS13-CA004-35-H
x.x ±0.30	SHEET SIZE	A4	
x.xx ±0.20	Draw:	Daniel	2018-07-10
x.xxx ±0.10	Check:	Daniel	2018-07-10

