

Chip Ferrite Bead BLM18□□□□□□N1□ Reference Specification

1.Scope

This reference specification applies to Chip Ferrite Bead BLM18_□N Series.

2.Part Numbering

(ex.) $\frac{BL}{(1)} \frac{M}{(2)} \frac{18}{(3)} \frac{AG}{(4)} \frac{121}{(5)} \frac{S}{(6)} \frac{N}{(7)} \frac{1}{(8)} \frac{D}{(9)}$

(1)Product ID (2)Type (3)Dimension(L×W) (4)Characteristics (5)Typical Impedance at 100MHz
(6)Performance (7)Category (8)Numbers of Circuit (9)Packaging(D:Taping / B:Bulk)

3.Rating

Customer Part Number	MURATA Part Number	Impedance (Ω) (at 100MHz, Under Standard Testing Condition)		Rated Current (mA)		DC Resistance (Ω max.)		Remark
		Typical		at 85°C	at 125°C	Initial Values	Values After Testing	
	BLM18RK121SN1D	120±25%	120	200		0.25	0.35	For Digital Interface
	BLM18RK121SN1B							
	BLM18RK221SN1D	220±25%	220	200		0.30	0.40	
	BLM18RK221SN1B							
	BLM18RK471SN1D	470±25%	470	200		0.50	0.60	
	BLM18RK471SN1B							
	BLM18RK601SN1D	600±25%	600	200		0.60	0.70	
	BLM18RK601SN1B							
	BLM18RK102SN1D	1000±25%	1000	200		0.80	0.90	
	BLM18RK102SN1B							
	BLM18PG300SN1D	20 min.	30	1000		0.05	0.10	For DC power line
	BLM18PG300SN1B							
	BLM18PG330SN1D	33±25%	33	3000*1	1000*1	0.025	0.050	
	BLM18PG330SN1B							
	BLM18PG600SN1D	40 min.	60	1000		0.1	0.2	
	BLM18PG600SN1B							
	BLM18PG121SN1D	120±25%	120	2000*1	1000*1	0.05	0.10	
	BLM18PG121SN1B							
	BLM18PG181SN1D	180±25%	180	1500*1	1000*1	0.09	0.18	
	BLM18PG181SN1B							
	BLM18PG221SN1D	220±25%	220	1400*1	1000*1	0.10	0.14	
	BLM18PG221SN1B							
	BLM18PG331SN1D	330±25%	330	1200*1	1000*1	0.15	0.20	
	BLM18PG331SN1B							
	BLM18PG471SN1D	470±25%	470	1000		0.20	0.26	
	BLM18PG471SN1B							
	BLM18SP300SN1D	30±10	30	6000*1	4000*1	0.008	0.010	
	BLM18SP300SN1B							
	BLM18SP101SN1D	100±25%	100	3700*1	2500*1	0.022	0.026	
	BLM18SP101SN1B							
	BLM18SP221SN1D	220±25%	220	2800*1	1900*1	0.040	0.048	
	BLM18SP221SN1B							
	BLM18SP601SN1D	600±25%	600	1500*1	1000*1	0.140	0.168	
	BLM18SP601SN1B							
	BLM18SP102SN1D	1000±25%	1000	1200*1	800*1	0.185	0.222	
	BLM18SP102SN1B							

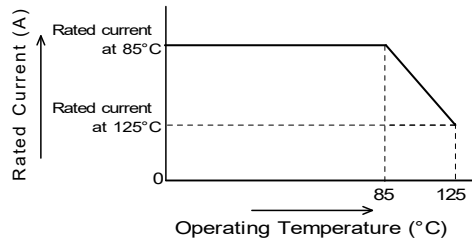
Customer Part Number	MURATA Part Number	Impedance (Ω) (at 100MHz, Under Standard Testing Condition)		Rated Current (mA)		DC Resistance (Ω max.)		Remark																																																																																																																																																																																																																																																						
		Typical		at 85°C	at 125°C	Initial Values	Values After Testing																																																																																																																																																																																																																																																							
	BLM18KG221SN1D	220 \pm 25%	220	2200*1	1500*1	0.050	0.060	For DC power line																																																																																																																																																																																																																																																						
	BLM18KG221SN1B									BLM18KG331SN1D	330 \pm 25%	330	1700*1	1200*1	0.080	0.095		BLM18KG331SN1B		BLM18KG471SN1D	470 \pm 25%	470	1500*1	1000*1	0.130	0.145		BLM18KG471SN1B		BLM18KG601SN1D	600 \pm 25%	600	1300*1	1000*1	0.150	0.165		BLM18KG601SN1B		BLM18KG102SN1D	1000 \pm 25%	1000	1000*1	800*1	0.200	0.230		BLM18KG102SN1B		BLM18SD220SN1D	22 \pm 25%	22	6000*1	3500*1	0.008	0.013		BLM18SD220SN1B		BLM18SG330SN1D	33 \pm 25%	33	6000*1	3500*1	0.008	0.013		BLM18SG330SN1B		BLM18AG121SN1D	120 \pm 25%	120	800		0.18	0.28	For general use		BLM18AG121SN1B		BLM18AG151SN1D	150 \pm 25%	150	700		0.25	0.35		BLM18AG151SN1B		BLM18AG221SN1D	220 \pm 25%	220	700		0.25	0.35		BLM18AG221SN1B		BLM18AG331SN1D	330 \pm 25%	330	600		0.30	0.40		BLM18AG331SN1B		BLM18AG471SN1D	470 \pm 25%	470	550		0.35	0.45		BLM18AG471SN1B		BLM18AG601SN1D	600 \pm 25%	600	500		0.38	0.48		BLM18AG601SN1B		BLM18AG102SN1D	1000 \pm 25%	1000	450		0.50	0.60		BLM18AG102SN1B		BLM18BB050SN1D	5 \pm 25%	5	800		0.05	0.10	For high speed signal line		BLM18BB050SN1B		BLM18BA050SN1D	5 \pm 25%	5	500		0.2	0.3		BLM18BA050SN1B		BLM18BB100SN1D	10 \pm 25%	10	700		0.10	0.20		BLM18BB100SN1B		BLM18BA100SN1D	10 \pm 25%	10	500		0.25	0.35		BLM18BA100SN1B		BLM18BB220SN1D	22 \pm 25%	22	700		0.20	0.30		BLM18BB220SN1B		BLM18BA220SN1D	22 \pm 25%	22	500		0.35	0.45		BLM18BA220SN1B		BLM18BB470SN1D	47 \pm 25%	47	600		0.25	0.35		BLM18BB470SN1B		BLM18BD470SN1D	47 \pm 25%	47	500		0.3	0.4		BLM18BD470SN1B		BLM18BA470SN1D	47 \pm 25%	47	300		0.55	0.65		BLM18BA470SN1B		BLM18BB600SN1D	60 \pm 25%	60	600		0.25	0.35		BLM18BB600SN1B		BLM18BA750SN1D	75 \pm 25%	75	300		0.70	0.80		BLM18BA750SN1B		BLM18BB750SN1D	75 \pm 25%	75
	BLM18KG331SN1D	330 \pm 25%	330	1700*1	1200*1	0.080	0.095																																																																																																																																																																																																																																																							
	BLM18KG331SN1B									BLM18KG471SN1D	470 \pm 25%	470	1500*1	1000*1	0.130	0.145		BLM18KG471SN1B		BLM18KG601SN1D	600 \pm 25%	600	1300*1	1000*1	0.150	0.165		BLM18KG601SN1B		BLM18KG102SN1D	1000 \pm 25%	1000	1000*1	800*1	0.200	0.230		BLM18KG102SN1B		BLM18SD220SN1D	22 \pm 25%	22	6000*1	3500*1	0.008	0.013		BLM18SD220SN1B		BLM18SG330SN1D	33 \pm 25%	33	6000*1	3500*1	0.008	0.013		BLM18SG330SN1B		BLM18AG121SN1D	120 \pm 25%	120	800		0.18	0.28	For general use		BLM18AG121SN1B		BLM18AG151SN1D	150 \pm 25%	150	700		0.25		0.35		BLM18AG151SN1B		BLM18AG221SN1D	220 \pm 25%	220	700		0.25	0.35		BLM18AG221SN1B		BLM18AG331SN1D	330 \pm 25%	330	600		0.30	0.40		BLM18AG331SN1B		BLM18AG471SN1D	470 \pm 25%	470	550		0.35	0.45		BLM18AG471SN1B		BLM18AG601SN1D	600 \pm 25%	600	500		0.38	0.48		BLM18AG601SN1B		BLM18AG102SN1D	1000 \pm 25%	1000	450		0.50	0.60		BLM18AG102SN1B		BLM18BB050SN1D	5 \pm 25%	5	800		0.05	0.10	For high speed signal line		BLM18BB050SN1B		BLM18BA050SN1D	5 \pm 25%	5	500			0.2	0.3		BLM18BA050SN1B		BLM18BB100SN1D	10 \pm 25%	10	700		0.10	0.20		BLM18BB100SN1B		BLM18BA100SN1D	10 \pm 25%	10	500		0.25	0.35		BLM18BA100SN1B		BLM18BB220SN1D	22 \pm 25%	22	700		0.20	0.30		BLM18BB220SN1B		BLM18BA220SN1D	22 \pm 25%	22	500		0.35	0.45		BLM18BA220SN1B		BLM18BB470SN1D	47 \pm 25%	47	600		0.25	0.35		BLM18BB470SN1B		BLM18BD470SN1D	47 \pm 25%	47	500		0.3	0.4		BLM18BD470SN1B		BLM18BA470SN1D	47 \pm 25%	47	300		0.55	0.65		BLM18BA470SN1B		BLM18BB600SN1D	60 \pm 25%	60	600		0.25	0.35		BLM18BB600SN1B		BLM18BA750SN1D	75 \pm 25%	75	300		0.70	0.80		BLM18BA750SN1B		BLM18BB750SN1D	75 \pm 25%	75	600		0.30	0.40		BLM18BB750SN1B		
	BLM18KG471SN1D	470 \pm 25%	470	1500*1	1000*1	0.130	0.145																																																																																																																																																																																																																																																							
	BLM18KG471SN1B									BLM18KG601SN1D	600 \pm 25%	600	1300*1	1000*1	0.150	0.165		BLM18KG601SN1B		BLM18KG102SN1D	1000 \pm 25%	1000	1000*1	800*1	0.200	0.230		BLM18KG102SN1B		BLM18SD220SN1D	22 \pm 25%	22	6000*1	3500*1	0.008	0.013		BLM18SD220SN1B		BLM18SG330SN1D	33 \pm 25%	33	6000*1	3500*1	0.008	0.013		BLM18SG330SN1B		BLM18AG121SN1D	120 \pm 25%	120	800		0.18	0.28	For general use		BLM18AG121SN1B		BLM18AG151SN1D	150 \pm 25%	150	700		0.25		0.35		BLM18AG151SN1B		BLM18AG221SN1D	220 \pm 25%	220	700			0.25	0.35		BLM18AG221SN1B		BLM18AG331SN1D	330 \pm 25%	330	600		0.30	0.40		BLM18AG331SN1B		BLM18AG471SN1D	470 \pm 25%	470	550		0.35	0.45		BLM18AG471SN1B		BLM18AG601SN1D	600 \pm 25%	600	500		0.38	0.48		BLM18AG601SN1B		BLM18AG102SN1D	1000 \pm 25%	1000	450		0.50	0.60		BLM18AG102SN1B		BLM18BB050SN1D	5 \pm 25%	5	800		0.05	0.10	For high speed signal line		BLM18BB050SN1B		BLM18BA050SN1D	5 \pm 25%	5	500			0.2	0.3		BLM18BA050SN1B		BLM18BB100SN1D	10 \pm 25%	10		700		0.10	0.20		BLM18BB100SN1B		BLM18BA100SN1D	10 \pm 25%	10	500		0.25	0.35		BLM18BA100SN1B		BLM18BB220SN1D	22 \pm 25%	22	700		0.20	0.30		BLM18BB220SN1B		BLM18BA220SN1D	22 \pm 25%	22	500		0.35	0.45		BLM18BA220SN1B		BLM18BB470SN1D	47 \pm 25%	47	600		0.25	0.35		BLM18BB470SN1B		BLM18BD470SN1D	47 \pm 25%	47	500		0.3	0.4		BLM18BD470SN1B		BLM18BA470SN1D	47 \pm 25%	47	300		0.55	0.65		BLM18BA470SN1B		BLM18BB600SN1D	60 \pm 25%	60	600		0.25	0.35		BLM18BB600SN1B		BLM18BA750SN1D	75 \pm 25%	75	300		0.70	0.80		BLM18BA750SN1B		BLM18BB750SN1D	75 \pm 25%	75	600		0.30	0.40		BLM18BB750SN1B										
	BLM18KG601SN1D	600 \pm 25%	600	1300*1	1000*1	0.150	0.165																																																																																																																																																																																																																																																							
	BLM18KG601SN1B									BLM18KG102SN1D	1000 \pm 25%	1000	1000*1	800*1	0.200	0.230		BLM18KG102SN1B		BLM18SD220SN1D	22 \pm 25%	22	6000*1	3500*1	0.008	0.013		BLM18SD220SN1B		BLM18SG330SN1D	33 \pm 25%	33	6000*1	3500*1	0.008	0.013		BLM18SG330SN1B		BLM18AG121SN1D	120 \pm 25%	120	800		0.18	0.28	For general use		BLM18AG121SN1B		BLM18AG151SN1D	150 \pm 25%	150	700		0.25		0.35		BLM18AG151SN1B		BLM18AG221SN1D	220 \pm 25%	220	700			0.25	0.35		BLM18AG221SN1B		BLM18AG331SN1D	330 \pm 25%	330	600		0.30	0.40		BLM18AG331SN1B		BLM18AG471SN1D	470 \pm 25%	470	550		0.35	0.45		BLM18AG471SN1B		BLM18AG601SN1D	600 \pm 25%	600	500		0.38	0.48		BLM18AG601SN1B		BLM18AG102SN1D	1000 \pm 25%	1000	450		0.50	0.60		BLM18AG102SN1B		BLM18BB050SN1D	5 \pm 25%	5	800		0.05	0.10	For high speed signal line		BLM18BB050SN1B		BLM18BA050SN1D	5 \pm 25%	5	500		0.2		0.3		BLM18BA050SN1B		BLM18BB100SN1D	10 \pm 25%	10	700		0.10	0.20		BLM18BB100SN1B		BLM18BA100SN1D	10 \pm 25%	10		500		0.25	0.35		BLM18BA100SN1B		BLM18BB220SN1D	22 \pm 25%	22	700		0.20	0.30		BLM18BB220SN1B		BLM18BA220SN1D	22 \pm 25%	22	500		0.35	0.45		BLM18BA220SN1B		BLM18BB470SN1D	47 \pm 25%	47	600		0.25	0.35		BLM18BB470SN1B		BLM18BD470SN1D	47 \pm 25%	47	500		0.3	0.4		BLM18BD470SN1B		BLM18BA470SN1D	47 \pm 25%	47	300		0.55	0.65		BLM18BA470SN1B		BLM18BB600SN1D	60 \pm 25%	60	600		0.25	0.35		BLM18BB600SN1B		BLM18BA750SN1D	75 \pm 25%	75	300		0.70	0.80		BLM18BA750SN1B		BLM18BB750SN1D	75 \pm 25%	75	600		0.30	0.40		BLM18BB750SN1B																				
	BLM18KG102SN1D	1000 \pm 25%	1000	1000*1	800*1	0.200	0.230																																																																																																																																																																																																																																																							
	BLM18KG102SN1B									BLM18SD220SN1D	22 \pm 25%	22	6000*1	3500*1	0.008	0.013		BLM18SD220SN1B		BLM18SG330SN1D	33 \pm 25%	33	6000*1	3500*1	0.008	0.013		BLM18SG330SN1B		BLM18AG121SN1D	120 \pm 25%	120	800		0.18	0.28	For general use		BLM18AG121SN1B		BLM18AG151SN1D	150 \pm 25%	150	700		0.25		0.35		BLM18AG151SN1B		BLM18AG221SN1D	220 \pm 25%	220	700			0.25	0.35		BLM18AG221SN1B		BLM18AG331SN1D	330 \pm 25%	330	600		0.30	0.40		BLM18AG331SN1B		BLM18AG471SN1D	470 \pm 25%	470	550		0.35	0.45		BLM18AG471SN1B		BLM18AG601SN1D	600 \pm 25%	600	500		0.38	0.48		BLM18AG601SN1B		BLM18AG102SN1D	1000 \pm 25%	1000	450		0.50	0.60		BLM18AG102SN1B		BLM18BB050SN1D	5 \pm 25%	5	800		0.05	0.10	For high speed signal line		BLM18BB050SN1B		BLM18BA050SN1D	5 \pm 25%	5	500		0.2		0.3		BLM18BA050SN1B		BLM18BB100SN1D	10 \pm 25%	10	700			0.10	0.20		BLM18BB100SN1B		BLM18BA100SN1D	10 \pm 25%	10		500		0.25	0.35		BLM18BA100SN1B		BLM18BB220SN1D		22 \pm 25%	22	700		0.20	0.30		BLM18BB220SN1B		BLM18BA220SN1D	22 \pm 25%	22	500		0.35	0.45		BLM18BA220SN1B		BLM18BB470SN1D	47 \pm 25%	47	600		0.25	0.35		BLM18BB470SN1B		BLM18BD470SN1D	47 \pm 25%	47	500		0.3	0.4		BLM18BD470SN1B		BLM18BA470SN1D	47 \pm 25%	47	300		0.55	0.65		BLM18BA470SN1B		BLM18BB600SN1D	60 \pm 25%	60	600		0.25	0.35		BLM18BB600SN1B		BLM18BA750SN1D	75 \pm 25%	75	300		0.70	0.80		BLM18BA750SN1B		BLM18BB750SN1D	75 \pm 25%	75	600		0.30	0.40		BLM18BB750SN1B																												
	BLM18SD220SN1D	22 \pm 25%	22	6000*1	3500*1	0.008	0.013																																																																																																																																																																																																																																																							
	BLM18SD220SN1B									BLM18SG330SN1D	33 \pm 25%	33	6000*1	3500*1	0.008	0.013		BLM18SG330SN1B		BLM18AG121SN1D	120 \pm 25%	120	800		0.18	0.28	For general use		BLM18AG121SN1B		BLM18AG151SN1D	150 \pm 25%	150	700		0.25		0.35		BLM18AG151SN1B		BLM18AG221SN1D	220 \pm 25%	220	700			0.25	0.35		BLM18AG221SN1B		BLM18AG331SN1D	330 \pm 25%	330	600		0.30	0.40		BLM18AG331SN1B		BLM18AG471SN1D	470 \pm 25%	470	550		0.35	0.45		BLM18AG471SN1B		BLM18AG601SN1D	600 \pm 25%	600	500		0.38	0.48		BLM18AG601SN1B		BLM18AG102SN1D	1000 \pm 25%	1000	450		0.50	0.60		BLM18AG102SN1B		BLM18BB050SN1D	5 \pm 25%	5	800		0.05	0.10	For high speed signal line		BLM18BB050SN1B		BLM18BA050SN1D	5 \pm 25%	5	500		0.2		0.3		BLM18BA050SN1B		BLM18BB100SN1D	10 \pm 25%	10	700			0.10	0.20		BLM18BB100SN1B		BLM18BA100SN1D	10 \pm 25%	10	500		0.25	0.35		BLM18BA100SN1B		BLM18BB220SN1D	22 \pm 25%	22		700		0.20	0.30		BLM18BB220SN1B		BLM18BA220SN1D		22 \pm 25%	22	500		0.35	0.45		BLM18BA220SN1B		BLM18BB470SN1D	47 \pm 25%	47	600		0.25	0.35		BLM18BB470SN1B		BLM18BD470SN1D	47 \pm 25%	47	500		0.3	0.4		BLM18BD470SN1B		BLM18BA470SN1D	47 \pm 25%	47	300		0.55	0.65		BLM18BA470SN1B		BLM18BB600SN1D	60 \pm 25%	60	600		0.25	0.35		BLM18BB600SN1B		BLM18BA750SN1D	75 \pm 25%	75	300		0.70	0.80		BLM18BA750SN1B		BLM18BB750SN1D	75 \pm 25%	75	600		0.30	0.40		BLM18BB750SN1B																																						
	BLM18SG330SN1D	33 \pm 25%	33	6000*1	3500*1	0.008	0.013																																																																																																																																																																																																																																																							
	BLM18SG330SN1B								BLM18AG121SN1D	120 \pm 25%	120	800		0.18	0.28	For general use		BLM18AG121SN1B		BLM18AG151SN1D	150 \pm 25%	150	700		0.25	0.35			BLM18AG151SN1B		BLM18AG221SN1D	220 \pm 25%	220	700		0.25		0.35		BLM18AG221SN1B		BLM18AG331SN1D	330 \pm 25%	330	600			0.30	0.40		BLM18AG331SN1B		BLM18AG471SN1D	470 \pm 25%	470	550		0.35	0.45		BLM18AG471SN1B		BLM18AG601SN1D	600 \pm 25%	600	500		0.38	0.48		BLM18AG601SN1B		BLM18AG102SN1D	1000 \pm 25%	1000	450		0.50	0.60		BLM18AG102SN1B		BLM18BB050SN1D	5 \pm 25%	5	800		0.05	0.10	For high speed signal line		BLM18BB050SN1B		BLM18BA050SN1D	5 \pm 25%	5	500		0.2		0.3		BLM18BA050SN1B		BLM18BB100SN1D	10 \pm 25%	10	700			0.10	0.20		BLM18BB100SN1B		BLM18BA100SN1D	10 \pm 25%	10	500		0.25	0.35		BLM18BA100SN1B		BLM18BB220SN1D	22 \pm 25%	22	700		0.20	0.30		BLM18BB220SN1B		BLM18BA220SN1D	22 \pm 25%	22		500		0.35	0.45		BLM18BA220SN1B		BLM18BB470SN1D		47 \pm 25%	47	600		0.25	0.35		BLM18BB470SN1B		BLM18BD470SN1D	47 \pm 25%	47	500		0.3	0.4		BLM18BD470SN1B		BLM18BA470SN1D	47 \pm 25%	47	300		0.55	0.65		BLM18BA470SN1B		BLM18BB600SN1D	60 \pm 25%	60	600		0.25	0.35		BLM18BB600SN1B		BLM18BA750SN1D	75 \pm 25%	75	300		0.70	0.80		BLM18BA750SN1B		BLM18BB750SN1D	75 \pm 25%	75	600		0.30	0.40		BLM18BB750SN1B																																																
	BLM18AG121SN1D	120 \pm 25%	120	800		0.18	0.28	For general use																																																																																																																																																																																																																																																						
	BLM18AG121SN1B				BLM18AG151SN1D				150 \pm 25%	150	700		0.25	0.35			BLM18AG151SN1B		BLM18AG221SN1D	220 \pm 25%	220	700		0.25	0.35			BLM18AG221SN1B		BLM18AG331SN1D	330 \pm 25%	330	600		0.30	0.40			BLM18AG331SN1B		BLM18AG471SN1D	470 \pm 25%	470	550		0.35		0.45		BLM18AG471SN1B		BLM18AG601SN1D	600 \pm 25%	600	500			0.38	0.48		BLM18AG601SN1B		BLM18AG102SN1D	1000 \pm 25%	1000	450		0.50	0.60		BLM18AG102SN1B		BLM18BB050SN1D	5 \pm 25%	5	800		0.05	0.10	For high speed signal line		BLM18BB050SN1B		BLM18BA050SN1D	5 \pm 25%	5	500		0.2		0.3		BLM18BA050SN1B		BLM18BB100SN1D	10 \pm 25%	10	700			0.10	0.20		BLM18BB100SN1B		BLM18BA100SN1D	10 \pm 25%	10	500		0.25	0.35		BLM18BA100SN1B		BLM18BB220SN1D	22 \pm 25%	22	700		0.20	0.30		BLM18BB220SN1B		BLM18BA220SN1D	22 \pm 25%	22	500		0.35	0.45		BLM18BA220SN1B		BLM18BB470SN1D	47 \pm 25%	47		600		0.25	0.35		BLM18BB470SN1B		BLM18BD470SN1D		47 \pm 25%	47	500		0.3	0.4		BLM18BD470SN1B		BLM18BA470SN1D	47 \pm 25%	47	300		0.55	0.65		BLM18BA470SN1B		BLM18BB600SN1D	60 \pm 25%	60	600		0.25	0.35		BLM18BB600SN1B		BLM18BA750SN1D	75 \pm 25%	75	300		0.70	0.80		BLM18BA750SN1B		BLM18BB750SN1D	75 \pm 25%	75	600		0.30	0.40		BLM18BB750SN1B																																																										
	BLM18AG151SN1D	150 \pm 25%	150	700		0.25	0.35																																																																																																																																																																																																																																																							
	BLM18AG151SN1B				BLM18AG221SN1D				220 \pm 25%	220	700		0.25	0.35			BLM18AG221SN1B		BLM18AG331SN1D	330 \pm 25%	330	600		0.30	0.40			BLM18AG331SN1B		BLM18AG471SN1D	470 \pm 25%	470	550		0.35	0.45			BLM18AG471SN1B		BLM18AG601SN1D	600 \pm 25%	600	500		0.38		0.48		BLM18AG601SN1B		BLM18AG102SN1D	1000 \pm 25%	1000	450		0.50	0.60		BLM18AG102SN1B		BLM18BB050SN1D	5 \pm 25%	5	800		0.05	0.10	For high speed signal line		BLM18BB050SN1B		BLM18BA050SN1D	5 \pm 25%	5	500		0.2	0.3			BLM18BA050SN1B		BLM18BB100SN1D	10 \pm 25%	10	700		0.10		0.20		BLM18BB100SN1B		BLM18BA100SN1D	10 \pm 25%	10	500			0.25	0.35		BLM18BA100SN1B		BLM18BB220SN1D	22 \pm 25%	22	700		0.20	0.30		BLM18BB220SN1B		BLM18BA220SN1D	22 \pm 25%	22	500		0.35	0.45		BLM18BA220SN1B		BLM18BB470SN1D	47 \pm 25%	47	600		0.25	0.35		BLM18BB470SN1B		BLM18BD470SN1D	47 \pm 25%	47		500		0.3	0.4		BLM18BD470SN1B		BLM18BA470SN1D		47 \pm 25%	47	300		0.55	0.65		BLM18BA470SN1B		BLM18BB600SN1D	60 \pm 25%	60	600		0.25	0.35		BLM18BB600SN1B		BLM18BA750SN1D	75 \pm 25%	75	300		0.70	0.80		BLM18BA750SN1B		BLM18BB750SN1D	75 \pm 25%	75	600		0.30	0.40		BLM18BB750SN1B																																																																				
	BLM18AG221SN1D	220 \pm 25%	220	700		0.25	0.35																																																																																																																																																																																																																																																							
	BLM18AG221SN1B				BLM18AG331SN1D				330 \pm 25%	330	600		0.30	0.40			BLM18AG331SN1B		BLM18AG471SN1D	470 \pm 25%	470	550		0.35	0.45			BLM18AG471SN1B		BLM18AG601SN1D	600 \pm 25%	600	500		0.38	0.48			BLM18AG601SN1B		BLM18AG102SN1D	1000 \pm 25%	1000	450		0.50	0.60		BLM18AG102SN1B		BLM18BB050SN1D	5 \pm 25%	5	800		0.05	0.10	For high speed signal line		BLM18BB050SN1B		BLM18BA050SN1D	5 \pm 25%	5	500		0.2	0.3			BLM18BA050SN1B		BLM18BB100SN1D	10 \pm 25%	10	700		0.10	0.20			BLM18BB100SN1B		BLM18BA100SN1D	10 \pm 25%	10	500		0.25		0.35		BLM18BA100SN1B		BLM18BB220SN1D	22 \pm 25%	22	700			0.20	0.30		BLM18BB220SN1B		BLM18BA220SN1D	22 \pm 25%	22	500		0.35	0.45		BLM18BA220SN1B		BLM18BB470SN1D	47 \pm 25%	47	600		0.25	0.35		BLM18BB470SN1B		BLM18BD470SN1D	47 \pm 25%	47	500		0.3	0.4		BLM18BD470SN1B		BLM18BA470SN1D	47 \pm 25%	47		300		0.55	0.65		BLM18BA470SN1B		BLM18BB600SN1D		60 \pm 25%	60	600		0.25	0.35		BLM18BB600SN1B		BLM18BA750SN1D	75 \pm 25%	75	300		0.70	0.80		BLM18BA750SN1B		BLM18BB750SN1D	75 \pm 25%	75	600		0.30	0.40		BLM18BB750SN1B																																																																														
	BLM18AG331SN1D	330 \pm 25%	330	600		0.30	0.40																																																																																																																																																																																																																																																							
	BLM18AG331SN1B				BLM18AG471SN1D				470 \pm 25%	470	550		0.35	0.45			BLM18AG471SN1B		BLM18AG601SN1D	600 \pm 25%	600	500		0.38	0.48			BLM18AG601SN1B		BLM18AG102SN1D	1000 \pm 25%	1000	450		0.50	0.60		BLM18AG102SN1B		BLM18BB050SN1D	5 \pm 25%	5	800		0.05	0.10	For high speed signal line		BLM18BB050SN1B		BLM18BA050SN1D	5 \pm 25%	5	500		0.2	0.3			BLM18BA050SN1B		BLM18BB100SN1D	10 \pm 25%	10	700		0.10	0.20			BLM18BB100SN1B		BLM18BA100SN1D	10 \pm 25%	10	500		0.25	0.35			BLM18BA100SN1B		BLM18BB220SN1D	22 \pm 25%	22	700		0.20		0.30		BLM18BB220SN1B		BLM18BA220SN1D	22 \pm 25%	22	500			0.35	0.45		BLM18BA220SN1B		BLM18BB470SN1D	47 \pm 25%	47	600		0.25	0.35		BLM18BB470SN1B		BLM18BD470SN1D	47 \pm 25%	47	500		0.3	0.4		BLM18BD470SN1B		BLM18BA470SN1D	47 \pm 25%	47	300		0.55	0.65		BLM18BA470SN1B		BLM18BB600SN1D	60 \pm 25%	60		600		0.25	0.35		BLM18BB600SN1B		BLM18BA750SN1D	75 \pm 25%	75	300		0.70	0.80		BLM18BA750SN1B		BLM18BB750SN1D	75 \pm 25%	75	600		0.30	0.40		BLM18BB750SN1B																																																																																									
	BLM18AG471SN1D	470 \pm 25%	470	550		0.35	0.45																																																																																																																																																																																																																																																							
	BLM18AG471SN1B				BLM18AG601SN1D				600 \pm 25%	600	500		0.38	0.48			BLM18AG601SN1B		BLM18AG102SN1D	1000 \pm 25%	1000	450		0.50	0.60		BLM18AG102SN1B		BLM18BB050SN1D	5 \pm 25%	5	800		0.05	0.10	For high speed signal line		BLM18BB050SN1B		BLM18BA050SN1D	5 \pm 25%	5	500		0.2	0.3			BLM18BA050SN1B		BLM18BB100SN1D	10 \pm 25%	10	700		0.10	0.20			BLM18BB100SN1B		BLM18BA100SN1D	10 \pm 25%	10	500		0.25	0.35			BLM18BA100SN1B		BLM18BB220SN1D	22 \pm 25%	22	700		0.20	0.30			BLM18BB220SN1B		BLM18BA220SN1D	22 \pm 25%	22	500		0.35		0.45		BLM18BA220SN1B		BLM18BB470SN1D	47 \pm 25%	47	600			0.25	0.35		BLM18BB470SN1B		BLM18BD470SN1D	47 \pm 25%	47	500		0.3	0.4		BLM18BD470SN1B		BLM18BA470SN1D	47 \pm 25%	47	300		0.55	0.65		BLM18BA470SN1B		BLM18BB600SN1D	60 \pm 25%	60	600		0.25	0.35		BLM18BB600SN1B		BLM18BA750SN1D	75 \pm 25%	75	300		0.70	0.80		BLM18BA750SN1B		BLM18BB750SN1D	75 \pm 25%	75	600		0.30	0.40		BLM18BB750SN1B																																																																																																				
	BLM18AG601SN1D	600 \pm 25%	600	500		0.38	0.48																																																																																																																																																																																																																																																							
	BLM18AG601SN1B				BLM18AG102SN1D				1000 \pm 25%	1000	450		0.50	0.60		BLM18AG102SN1B		BLM18BB050SN1D	5 \pm 25%	5	800		0.05	0.10	For high speed signal line		BLM18BB050SN1B		BLM18BA050SN1D	5 \pm 25%	5	500		0.2	0.3			BLM18BA050SN1B		BLM18BB100SN1D	10 \pm 25%	10	700		0.10	0.20			BLM18BB100SN1B		BLM18BA100SN1D	10 \pm 25%	10	500		0.25	0.35			BLM18BA100SN1B		BLM18BB220SN1D	22 \pm 25%	22	700		0.20	0.30			BLM18BB220SN1B		BLM18BA220SN1D	22 \pm 25%	22	500		0.35	0.45			BLM18BA220SN1B		BLM18BB470SN1D	47 \pm 25%	47	600		0.25		0.35		BLM18BB470SN1B		BLM18BD470SN1D	47 \pm 25%	47	500			0.3	0.4		BLM18BD470SN1B		BLM18BA470SN1D	47 \pm 25%	47	300		0.55	0.65		BLM18BA470SN1B		BLM18BB600SN1D	60 \pm 25%	60	600		0.25	0.35		BLM18BB600SN1B		BLM18BA750SN1D	75 \pm 25%	75	300		0.70	0.80		BLM18BA750SN1B		BLM18BB750SN1D	75 \pm 25%	75	600		0.30	0.40		BLM18BB750SN1B																																																																																																														
	BLM18AG102SN1D	1000 \pm 25%	1000	450		0.50	0.60																																																																																																																																																																																																																																																							
	BLM18AG102SN1B				BLM18BB050SN1D			5 \pm 25%	5	800		0.05	0.10	For high speed signal line		BLM18BB050SN1B		BLM18BA050SN1D	5 \pm 25%	5	500		0.2	0.3			BLM18BA050SN1B		BLM18BB100SN1D	10 \pm 25%	10	700		0.10	0.20			BLM18BB100SN1B		BLM18BA100SN1D	10 \pm 25%	10	500		0.25	0.35			BLM18BA100SN1B		BLM18BB220SN1D	22 \pm 25%	22	700		0.20	0.30			BLM18BB220SN1B		BLM18BA220SN1D	22 \pm 25%	22	500		0.35	0.45			BLM18BA220SN1B		BLM18BB470SN1D	47 \pm 25%	47	600		0.25	0.35			BLM18BB470SN1B		BLM18BD470SN1D	47 \pm 25%	47	500		0.3		0.4		BLM18BD470SN1B		BLM18BA470SN1D	47 \pm 25%	47	300			0.55	0.65		BLM18BA470SN1B		BLM18BB600SN1D	60 \pm 25%	60	600		0.25	0.35		BLM18BB600SN1B		BLM18BA750SN1D	75 \pm 25%	75	300		0.70	0.80		BLM18BA750SN1B		BLM18BB750SN1D	75 \pm 25%	75	600		0.30	0.40		BLM18BB750SN1B																																																																																																																								
	BLM18BB050SN1D	5 \pm 25%	5	800		0.05	0.10			For high speed signal line																																																																																																																																																																																																																																																				
	BLM18BB050SN1B				BLM18BA050SN1D			5 \pm 25%	5		500		0.2		0.3		BLM18BA050SN1B		BLM18BB100SN1D	10 \pm 25%	10	700		0.10		0.20		BLM18BB100SN1B		BLM18BA100SN1D	10 \pm 25%	10	500		0.25		0.35		BLM18BA100SN1B		BLM18BB220SN1D	22 \pm 25%	22	700		0.20		0.30		BLM18BB220SN1B		BLM18BA220SN1D	22 \pm 25%	22	500		0.35		0.45		BLM18BA220SN1B		BLM18BB470SN1D	47 \pm 25%	47	600		0.25		0.35		BLM18BB470SN1B		BLM18BD470SN1D	47 \pm 25%	47	500		0.3		0.4		BLM18BD470SN1B		BLM18BA470SN1D	47 \pm 25%	47	300			0.55	0.65		BLM18BA470SN1B		BLM18BB600SN1D	60 \pm 25%	60	600		0.25	0.35		BLM18BB600SN1B		BLM18BA750SN1D	75 \pm 25%	75	300		0.70	0.80		BLM18BA750SN1B		BLM18BB750SN1D	75 \pm 25%	75	600		0.30	0.40		BLM18BB750SN1B																																																																																																																																		
	BLM18BA050SN1D	5 \pm 25%	5	500		0.2	0.3																																																																																																																																																																																																																																																							
	BLM18BA050SN1B				BLM18BB100SN1D			10 \pm 25%	10		700		0.10		0.20		BLM18BB100SN1B		BLM18BA100SN1D	10 \pm 25%	10	500		0.25		0.35		BLM18BA100SN1B		BLM18BB220SN1D	22 \pm 25%	22	700		0.20		0.30		BLM18BB220SN1B		BLM18BA220SN1D	22 \pm 25%	22	500		0.35		0.45		BLM18BA220SN1B		BLM18BB470SN1D	47 \pm 25%	47	600		0.25		0.35		BLM18BB470SN1B		BLM18BD470SN1D	47 \pm 25%	47	500		0.3		0.4		BLM18BD470SN1B		BLM18BA470SN1D	47 \pm 25%	47	300		0.55		0.65		BLM18BA470SN1B		BLM18BB600SN1D	60 \pm 25%	60	600			0.25	0.35		BLM18BB600SN1B		BLM18BA750SN1D	75 \pm 25%	75	300		0.70	0.80		BLM18BA750SN1B		BLM18BB750SN1D	75 \pm 25%	75	600		0.30	0.40		BLM18BB750SN1B																																																																																																																																												
	BLM18BB100SN1D	10 \pm 25%	10	700		0.10	0.20																																																																																																																																																																																																																																																							
	BLM18BB100SN1B				BLM18BA100SN1D			10 \pm 25%	10		500		0.25		0.35		BLM18BA100SN1B		BLM18BB220SN1D	22 \pm 25%	22	700		0.20		0.30		BLM18BB220SN1B		BLM18BA220SN1D	22 \pm 25%	22	500		0.35		0.45		BLM18BA220SN1B		BLM18BB470SN1D	47 \pm 25%	47	600		0.25		0.35		BLM18BB470SN1B		BLM18BD470SN1D	47 \pm 25%	47	500		0.3		0.4		BLM18BD470SN1B		BLM18BA470SN1D	47 \pm 25%	47	300		0.55		0.65		BLM18BA470SN1B		BLM18BB600SN1D	60 \pm 25%	60	600		0.25		0.35		BLM18BB600SN1B		BLM18BA750SN1D	75 \pm 25%	75	300		0.70	0.80		BLM18BA750SN1B		BLM18BB750SN1D	75 \pm 25%	75	600		0.30	0.40		BLM18BB750SN1B																																																																																																																																																							
	BLM18BA100SN1D	10 \pm 25%	10	500		0.25	0.35																																																																																																																																																																																																																																																							
	BLM18BA100SN1B				BLM18BB220SN1D			22 \pm 25%	22		700		0.20		0.30		BLM18BB220SN1B		BLM18BA220SN1D	22 \pm 25%	22	500		0.35		0.45		BLM18BA220SN1B		BLM18BB470SN1D	47 \pm 25%	47	600		0.25		0.35		BLM18BB470SN1B		BLM18BD470SN1D	47 \pm 25%	47	500		0.3		0.4		BLM18BD470SN1B		BLM18BA470SN1D	47 \pm 25%	47	300		0.55		0.65		BLM18BA470SN1B		BLM18BB600SN1D	60 \pm 25%	60	600		0.25		0.35		BLM18BB600SN1B		BLM18BA750SN1D	75 \pm 25%	75	300		0.70	0.80		BLM18BA750SN1B		BLM18BB750SN1D	75 \pm 25%	75	600		0.30	0.40		BLM18BB750SN1B																																																																																																																																																																		
	BLM18BB220SN1D	22 \pm 25%	22	700		0.20	0.30																																																																																																																																																																																																																																																							
	BLM18BB220SN1B				BLM18BA220SN1D			22 \pm 25%	22		500		0.35		0.45		BLM18BA220SN1B		BLM18BB470SN1D	47 \pm 25%	47	600		0.25		0.35		BLM18BB470SN1B		BLM18BD470SN1D	47 \pm 25%	47	500		0.3		0.4		BLM18BD470SN1B		BLM18BA470SN1D	47 \pm 25%	47	300		0.55		0.65		BLM18BA470SN1B		BLM18BB600SN1D	60 \pm 25%	60	600		0.25		0.35		BLM18BB600SN1B		BLM18BA750SN1D	75 \pm 25%	75	300		0.70	0.80		BLM18BA750SN1B		BLM18BB750SN1D	75 \pm 25%	75	600		0.30	0.40		BLM18BB750SN1B																																																																																																																																																																													
	BLM18BA220SN1D	22 \pm 25%	22	500		0.35	0.45																																																																																																																																																																																																																																																							
	BLM18BA220SN1B				BLM18BB470SN1D			47 \pm 25%	47		600		0.25		0.35		BLM18BB470SN1B		BLM18BD470SN1D	47 \pm 25%	47	500		0.3		0.4		BLM18BD470SN1B		BLM18BA470SN1D	47 \pm 25%	47	300		0.55		0.65		BLM18BA470SN1B		BLM18BB600SN1D	60 \pm 25%	60	600		0.25		0.35		BLM18BB600SN1B		BLM18BA750SN1D	75 \pm 25%	75	300		0.70	0.80		BLM18BA750SN1B		BLM18BB750SN1D	75 \pm 25%	75	600		0.30	0.40		BLM18BB750SN1B																																																																																																																																																																																								
	BLM18BB470SN1D	47 \pm 25%	47	600		0.25	0.35																																																																																																																																																																																																																																																							
	BLM18BB470SN1B				BLM18BD470SN1D			47 \pm 25%	47		500		0.3		0.4		BLM18BD470SN1B		BLM18BA470SN1D	47 \pm 25%	47	300		0.55		0.65		BLM18BA470SN1B		BLM18BB600SN1D	60 \pm 25%	60	600		0.25		0.35		BLM18BB600SN1B		BLM18BA750SN1D	75 \pm 25%	75	300		0.70	0.80		BLM18BA750SN1B		BLM18BB750SN1D	75 \pm 25%	75	600		0.30	0.40		BLM18BB750SN1B																																																																																																																																																																																																			
	BLM18BD470SN1D	47 \pm 25%	47	500		0.3	0.4																																																																																																																																																																																																																																																							
	BLM18BD470SN1B				BLM18BA470SN1D			47 \pm 25%	47		300		0.55		0.65		BLM18BA470SN1B		BLM18BB600SN1D	60 \pm 25%	60	600		0.25		0.35		BLM18BB600SN1B		BLM18BA750SN1D	75 \pm 25%	75	300		0.70	0.80		BLM18BA750SN1B		BLM18BB750SN1D	75 \pm 25%	75	600		0.30	0.40		BLM18BB750SN1B																																																																																																																																																																																																														
	BLM18BA470SN1D	47 \pm 25%	47	300		0.55	0.65																																																																																																																																																																																																																																																							
	BLM18BA470SN1B				BLM18BB600SN1D			60 \pm 25%	60		600		0.25		0.35		BLM18BB600SN1B		BLM18BA750SN1D	75 \pm 25%	75	300		0.70	0.80		BLM18BA750SN1B		BLM18BB750SN1D	75 \pm 25%	75	600		0.30	0.40		BLM18BB750SN1B																																																																																																																																																																																																																									
	BLM18BB600SN1D	60 \pm 25%	60	600		0.25	0.35																																																																																																																																																																																																																																																							
	BLM18BB600SN1B				BLM18BA750SN1D			75 \pm 25%	75		300		0.70	0.80		BLM18BA750SN1B		BLM18BB750SN1D	75 \pm 25%	75	600		0.30	0.40		BLM18BB750SN1B																																																																																																																																																																																																																																				
	BLM18BA750SN1D	75 \pm 25%	75	300		0.70	0.80																																																																																																																																																																																																																																																							
	BLM18BA750SN1B				BLM18BB750SN1D			75 \pm 25%	75	600		0.30	0.40		BLM18BB750SN1B																																																																																																																																																																																																																																															
	BLM18BB750SN1D	75 \pm 25%	75	600		0.30	0.40																																																																																																																																																																																																																																																							
	BLM18BB750SN1B																																																																																																																																																																																																																																																													

Customer Part Number	MURATA Part Number	Impedance (Ω) (at 100MHz, Under Standard Testing Condition)		Rated Current (mA)		DC Resistance (Ω max.)		Remark
		Typical		at 85°C	at 125°C	Initial Values	Values After Testing	
	BLM18BB121SN1D	120±25%	120	550		0.30	0.40	For high speed signal line
	BLM18BB121SN1B							
	BLM18BD121SN1D	120±25%	120	300		0.4	0.5	
	BLM18BD121SN1B							
	BLM18BA121SN1D	120±25%	120	200		0.9	1.0	
	BLM18BA121SN1B							
	BLM18BB141SN1D	140±25%	140	500		0.35	0.45	
	BLM18BB141SN1B							
	BLM18BB151SN1D	150±25%	150	450		0.37	0.47	
	BLM18BB151SN1B							
	BLM18BD151SN1D	150±25%	150	300		0.4	0.5	
	BLM18BD151SN1B							
	BLM18BB221SN1D	220±25%	220	450		0.45	0.55	
	BLM18BB221SN1B							
	BLM18BD221SN1D	220±25%	220	250		0.45	0.55	
	BLM18BD221SN1B							
	BLM18BB331SN1D	330±25%	330	400		0.58	0.68	
	BLM18BB331SN1B							
	BLM18BD331SN1D	330±25%	330	250		0.5	0.6	
	BLM18BD331SN1B							
	BLM18BD421SN1D	420±25%	420	250		0.55	0.65	
	BLM18BD421SN1B							
	BLM18BB471SN1D	470±25%	470	300		0.85	0.95	
	BLM18BB471SN1B							
	BLM18BD471SN1D	470±25%	470	250		0.55	0.65	
	BLM18BD471SN1B							
	BLM18BD601SN1D	600±25%	600	200		0.65	0.75	
	BLM18BD601SN1B							
	BLM18BD102SN1D	1000±25%	1000	200		0.85	0.95	
	BLM18BD102SN1B							
	BLM18BD152SN1D	1500±25%	1500	150		1.2	1.3	
	BLM18BD152SN1B							
	BLM18BD182SN1D	1800±25%	1800	150		1.5	1.6	
	BLM18BD182SN1B							
	BLM18BD222SN1D	2200±25%	2200	150		1.5	1.6	
	BLM18BD222SN1B							
	BLM18BD252SN1D	2500±25%	2500	150		1.5	1.6	
	BLM18BD252SN1B							
	BLM18TG121TN1D	120±25%	120	200		0.25	0.3	For general use (Thin type)
	BLM18TG121TN1B							
	BLM18TG221TN1D	220±25%	220	200		0.3	0.4	
	BLM18TG221TN1B							
	BLM18TG601TN1D	600±25%	600	200		0.45	0.6	
	BLM18TG601TN1B							
	BLM18TG102TN1D	1000±25%	1000	100		0.6	0.8	
	BLM18TG102TN1B							
	BLM18SG260TN1D	26±25%	26	6000*1	1000*1	0.007	0.012	For DC power line (Thin type)
	BLM18SG260TN1B							
	BLM18SG700TN1D	70±25%	70	4000*1	1000*1	0.020	0.030	
	BLM18SG700TN1B							
	BLM18SG121TN1D	120±25%	120	3000*1	1000*1	0.025	0.035	
	BLM18SG121TN1B							

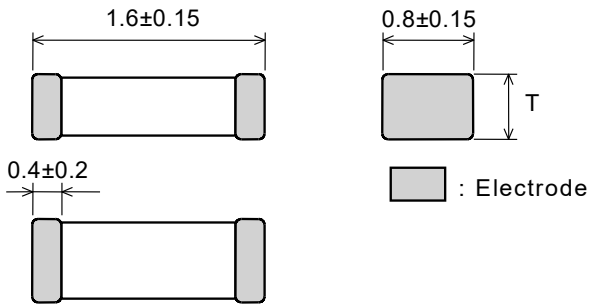
Customer Part Number	MURATA Part Number	Impedance (Ω) (at 100MHz, Under Standard Testing Condition)	Rated Current (mA)		DC Resistance (Ω max.)		Remark
			Typical	at 85°C	at 125°C	Initial Values	
	BLM18SG221TN1D BLM18SG221TN1B	220 \pm 25%	220	2500*1	1000*1	0.040	For DC power line (Thin type)
	BLM18SG331TN1D BLM18SG331TN1B	330 \pm 25%	330	1500*1	1000*1	0.070	
	BLM18SN220TN1D BLM18SN220TN1B	22 \pm 7	22	8000*1	5000*1	0.004	
	BLM18KG260TN1D BLM18KG260TN1B	26 \pm 25%	26	6000*1	4000*1	0.007	
	BLM18KG300TN1D BLM18KG300TN1B	30 \pm 25%	30	5000*1	3300*1	0.010	
	BLM18KG700TN1D BLM18KG700TN1B	70 \pm 25%	70	3500*1	2200*1	0.022	
	BLM18KG101TN1D BLM18KG101TN1B	100 \pm 25%	100	3000*1	1900*1	0.030	
	BLM18KG121TN1D BLM18KG121TN1B	120 \pm 25%	120	3000*1	1900*1	0.030	

- Operating Temperature : -55°C to +125°C
- Storage Temperature : -55°C to +125°C

(*1)In case of Rated current is more than 1A, Rated Current is derated as right figure depending on the operating temperature.



4.Style and Dimensions



P/N	T
BLM18SG***TN1*	0.5 \pm 0.15
BLM18SN***TN1*	0.6 \pm 0.15
BLM18TG***TN1*	0.6 \pm 0.1
BLM18KG***TN1*	0.6 \pm 0.15
BLM18****SN1*	0.8 \pm 0.15

(in mm)

■ Equivalent Circuit



(Resistance element becomes dominant at high frequencies.)

■ Unit Mass (Typical value)

- BLM18****SN1*:0.005g
- BLM18****TN1*:0.004g

5.Marking

No marking.

6.Standard Testing Conditions

< Unless otherwise specified >

Temperature : Ordinary Temp. (15 °C to 35 °C)
Humidity : Ordinary Humidity (25%(RH) to 85%(RH))

< In case of doubt >

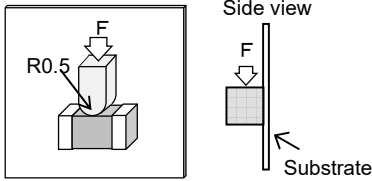
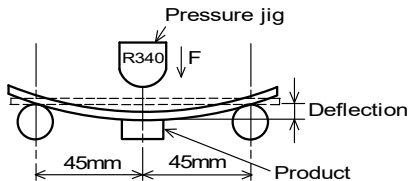
Temperature : 20°C \pm 2 °C
Humidity : 60%(RH) to 70%(RH)
Atmospheric pressure : 86kPa to 106kPa

7.Specifications

7-1.Electrical Performance

No.	Item	Specification	Test Method
7-1-1	Impedance	Meet item 3.	Measuring Frequency : 100MHz±1MHz Measuring Equipment : KEYSIGHT 4991A or the equivalent Test Fixture : KEYSIGHT 16192A or the equivalent
7-1-2	DC Resistance	Meet item 3.	Measuring Equipment : Digital multi meter For BLM18SN_TN Measuring Equipment : YOKOGAWA 755611 or the equivalent Test Fixture : KEYSIGHT 16044A or the equivalent * Except resistance of the Substrate and Wire

7-2.Mechanical Performance

No.	Item	Specification	Test Method						
7-2-1	Appearance and Dimensions	Meet item 4.	Visual Inspection and measured with Slide Calipers.						
7-2-2	Bonding Strength	Meet Table 1. <table border="1"> <caption>Table 1</caption> <tr> <td>Appearance</td> <td>No damage</td> </tr> <tr> <td>Impedance Change (at 100MHz)</td> <td>Within ±30% (for BLM18SN_TN) Within ±50%</td> </tr> <tr> <td>DC Resistance</td> <td>Meet item 3.</td> </tr> </table>	Appearance	No damage	Impedance Change (at 100MHz)	Within ±30% (for BLM18SN_TN) Within ±50%	DC Resistance	Meet item 3.	It shall be soldered on the substrate. Applying Force(F) : 6.8N Applying Time : 5s±1s Applied direction :Parallel to substrate 
Appearance	No damage								
Impedance Change (at 100MHz)	Within ±30% (for BLM18SN_TN) Within ±50%								
DC Resistance	Meet item 3.								
7-2-3	Bending Strength		It shall be soldered on the substrate. Substrate: Glass-epoxy 100mm×40mm×1.6mm Deflection : 1.0mm Speed of Applying Force : 0.5mm/s Keeping Time : 30s 						
7-2-4	Vibration		It shall be soldered on the substrate. Oscillation Frequency : 10Hz to 55Hz to 10Hz for 1 min Total Amplitude : 1.5mm Testing Time : A period of 2 hours in each of 3 mutually perpendicular directions. (Total 6 h)						
7-2-5	Resistance to Soldering Heat	Meet Table 2. <table border="1"> <caption>Table 2</caption> <tr> <td>Appearance</td> <td>No damage</td> </tr> <tr> <td>Impedance Change (at 100MHz)</td> <td>Within ±30% (for BLM18KG) Within ±40% (for BLM18SN_TN) Within ±50%</td> </tr> <tr> <td>DC Resistance</td> <td>Meet item 3.</td> </tr> </table>	Appearance	No damage	Impedance Change (at 100MHz)	Within ±30% (for BLM18KG) Within ±40% (for BLM18SN_TN) Within ±50%	DC Resistance	Meet item 3.	Pre-Heating : 150°C±10°C, 60s~90s Solder : Sn-3.0Ag-0.5Cu Solder Temperature : 270°C±5°C Immersion Time : 10s±0.5s Immersion and emersion rates : 25mm/s Then measured after exposure in the room condition for 48h±4h.
Appearance	No damage								
Impedance Change (at 100MHz)	Within ±30% (for BLM18KG) Within ±40% (for BLM18SN_TN) Within ±50%								
DC Resistance	Meet item 3.								

No.	Item	Specification	Test Method
7-2-6	Drop	Products shall be no failure after tested.	It shall be dropped on concrete or steel board. Method : free fall Height : 75cm Attitude from which the product is dropped : 3 direction The number of times : 3 times for each direction(Total 9 times)
7-2-7	Solderability	The electrodes shall be at least 95% covered with new solder coating.	Flux : Ethanol solution of rosin,25(wt)% Pre-Heating : 150°C±10°C, 60s~90s Solder : Sn-3.0Ag-0.5Cu Solder Temperature : 240°C±5°C Immersion Time : 3s±1s Immersion and emersion rates : 25mm/s

7-3.Environmental Performance

It shall be soldered on the substrate.

No.	Item	Specification	Test Method						
7-3-1	Temperature Cycle	Meet Table 3. Table 3 <table border="1"> <tr> <td>Appearance</td> <td>No damage</td> </tr> <tr> <td>Impedance Change (at 100MHz)</td> <td>Within ±30% (for BLM18KG Within-10%to+50%) (for BLM18SN_TN Within ±50%)</td> </tr> <tr> <td>DC Resistance</td> <td>Meet item 3.</td> </tr> </table>	Appearance	No damage	Impedance Change (at 100MHz)	Within ±30% (for BLM18KG Within-10%to+50%) (for BLM18SN_TN Within ±50%)	DC Resistance	Meet item 3.	1 cycle: 1 step:-55 °C(+0 °C,-3 °C) / 30min±3min 2 step:Ordinary temp. / 10min to 15min 3 step:+125 °C(+3 °C,-0 °C) / 30min±3min 4 step: Ordinary temp. / 10min to 15min Total of 100 cycles Then measured after exposure in the room condition for 48h±4h.
Appearance	No damage								
Impedance Change (at 100MHz)	Within ±30% (for BLM18KG Within-10%to+50%) (for BLM18SN_TN Within ±50%)								
DC Resistance	Meet item 3.								
7-3-2	Humidity	Meet Table 1.	Temperature : 40°C±2°C Humidity : 90%(RH) to 95%(RH) Time : 1000h(+48h,-0h) Then measured after exposure in the room condition for 48h±4h.						
7-3-3	Heat Life		Temperature : 125°C±3°C (in case of Rated current is more than 1A, do the test at : +85 °C±3°C) Applying Current : Rated Current Time : 1000h(+48h,-0h) Then measured after exposure in the room condition for 48h±4h.						
7-3-4	Cold Resistance		Temperature : -55±2°C Time : 1000h(+48h,-0h) Then measured after exposure in the room condition for 48h±4h.						

8.Specification of Packaging

8-1.Appearance and Dimensions (8mm-wide paper tape)

Part Number	Type	Appearance and Dimensions								
BLM18RK***SN1D BLM18PG***SN1D BLM18AG***SN1D BLM18B***SN1D BLM18KG***N1D BLM18S***SN1D BLM18SN***TN1D	8mm- wide Paper tape 4mm-pitch	<table border="1" style="margin-left: auto; margin-right: auto;"> <thead> <tr> <th>Item</th> <th>Dimension "a"</th> </tr> </thead> <tbody> <tr> <td>BLM18****SN1D</td> <td>1.1 max.</td> </tr> <tr> <td>BLM18KG***TN1D</td> <td>0.85 max.</td> </tr> <tr> <td>BLM18SN***TN1D</td> <td></td> </tr> </tbody> </table>	Item	Dimension "a"	BLM18****SN1D	1.1 max.	BLM18KG***TN1D	0.85 max.	BLM18SN***TN1D	
Item	Dimension "a"									
BLM18****SN1D	1.1 max.									
BLM18KG***TN1D	0.85 max.									
BLM18SN***TN1D										
BLM18SG***TN1D BLM18TG***TN1D	8mm- wide Paper tape 2mm-pitch									

(in mm)

(1) Taping

Products shall be packaged in the cavity of the base tape continuously and sealed by top tape and bottom tape.

(2) Sprocket hole: The sprocket holes are to the right as the tape is pulled toward the user.

(3) Spliced point: The base tape and top tape have no spliced point

(4) Cavity: There shall not be burr in the cavity.

(5) Missing components number

Missing components number within 0.025% of the number per reel or 1 pc., whichever is greater, and are not continuous. The specified quantity per reel is kept.

8-2.Tape Strength

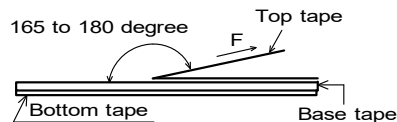
(1) Pull Strength

Top tape	5N min.
Bottom tape	

(2) Peeling off force of Top tape

0.1N to 0.6N (Minimum value is typical.)

*Speed of Peeling off: 300mm/min



8-3. Taping Condition

(1) Standard quantity per reel

Type	Quantity per 180mm reel
BLM18(except BLM18SG/BLM18TG)	4000 pcs. / reel
BLM18SG/BLM18TG	10000 pcs. / reel

(2) There shall be leader-tape (top tape and empty tape) and trailer-tape (empty tape) as follows.

(3) On paper tape, the top tape and the base tape shall not be adhered at the tip of the empty leader tape for more than 5 pitch.

(4) Marking for reel

The following items shall be marked on a label and the label is stuck on the reel.

(Customer part number, MURATA part number, Inspection number(*1), RoHS Marking(*2), Quantity, etc)

*1) « Expression of Inspection No. » $\square\square$ $\overline{0000}$ \overline{xxx}
 (1) (2) (3)

(1) Factory Code

(2) Date First digit : Year / Last digit of year

Second digit : Month / Jan. to Sep. → 1 to 9, Oct. to Dec. → O, N, D

Third, Fourth digit : Day

(3) Serial No.

*2) « Expression of RoHS Marking » ROHS – Y (Δ)
 (1) (2)

(1) RoHS regulation conformity parts.

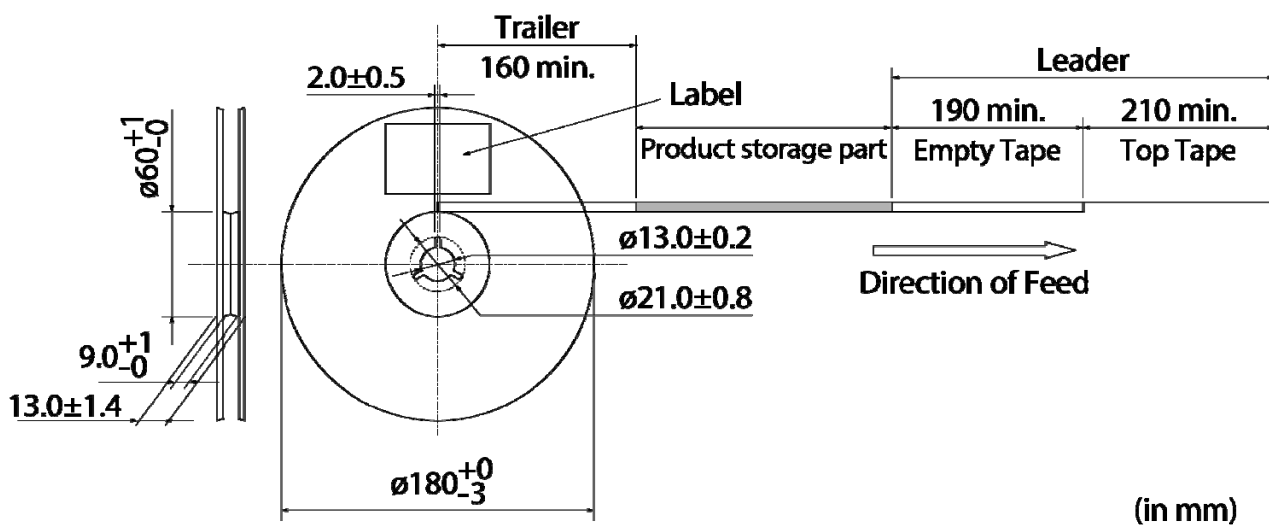
(2) MURATA classification number

(5) Outside package

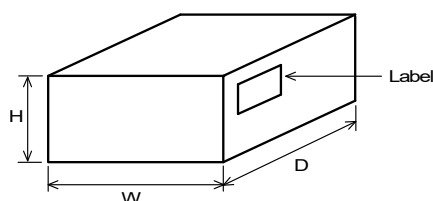
These reels shall be packed in the corrugated cardboard package and the following items shall be marked on a label and the label is stuck on the box.

(Customer name, Purchasing order number, Customer part number, MURATA part number, RoHS discrimination(*2), Quantity, etc)

(6) Dimensions of reel and taping(leader-tape, trailer-tape)



8-4. Specification of Outer Case



Outer Case Dimensions (mm)			Standard Reel Quantity in Outer Case (Reel)
W	D	H	
186	186	93	5

* Above Outer Case size is typical. It depends on a quantity of an order.

9. ⚠ Caution

9-1. Surge current

Excessive surge current (pulse current or rush current) than specified rated current applied to the product may cause a critical failure, such as an open circuit, burnout caused by excessive temperature rise.
Please contact us in advance in case of applying the surge current.

9-2. Limitation of Applications

Please contact us before using our products for the applications listed below which require especially high reliability for the prevention of defects which might directly cause damage to the third party's life, body or property.

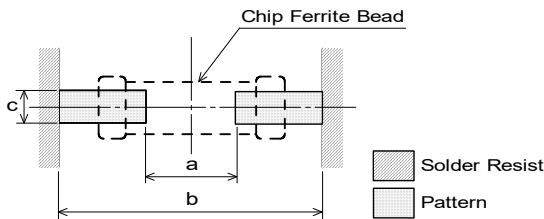
- (1) Aircraft equipment
- (2) Aerospace equipment
- (3) Undersea equipment
- (4) Power plant control equipment
- (5) Medical equipment
- (6) Disaster prevention / crime prevention equipment
- (7) Traffic signal equipment
- (8) Transportation equipment (vehicles, trains, ships, etc.)
- (9) Data-processing equipment
- (10) Applications of similar complexity and /or reliability requirements to the applications listed in the above

10. Notice

This product is designed for solder mounting.
Please consult us in advance for applying other mounting method such as conductive adhesive.

10-1. Land pattern designing

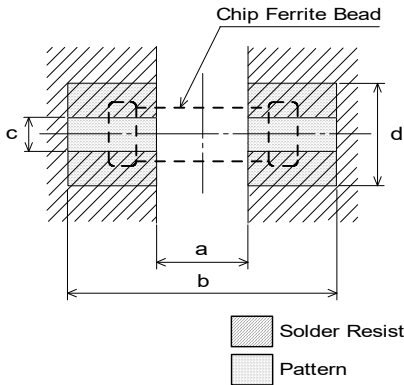
- Standard land dimensions
- < For BLM18 series (except BLM18P/BLM18S/BLM18K type) >



Type	Soldering	a	b	c
BLM18 (except 18P/18S/BLM18K type)	Flow	0.8	2.5	0.7
	Reflow	0.7	2.0	0.7

(in mm)

- < For BLM18P/BLM18S/BLM18K type >



Type	Rated Current (A)	Soldering	a	b	c	Land pad thickness and dimension d		
						18μm	35μm	70μm
BLM18P BLM18S BLM18K	0.5 to 1.5	Flow/ Reflow	Flow 0.8 Reflow 0.7	Flow 2.5 Reflow 2.0	0.7	0.7	0.7	0.7
	1.7 to 2.5					1.2	0.7	0.7
	3 to 4					2.4	1.2	0.7
	5 to 6					6.4	3.3	1.65
BLM18SN	8					-	6.4	3.3
BLM18SP	1.2 to 6.0					-	6.4	-

(in mm)

*The excessive heat by land pads may cause deterioration at joint of products with substrate.

10-2. Soldering Conditions

Products can be applied to reflow and flow soldering.

- (1) Flux, Solder

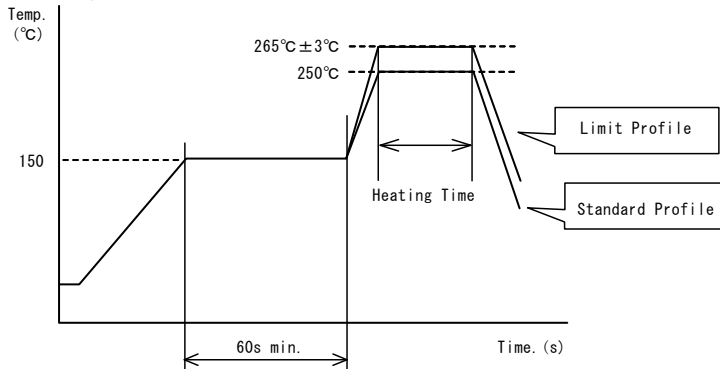
Flux	Use rosin-based flux, but not highly acidic flux (with chlorine content exceeding 0.2(wt)%.) Do not use water-soluble flux.
Solder	Use Sn-3.0Ag-0.5Cu solder Standard thickness of solder paste : 100 μm to 200 μm

(2) Soldering conditions

- Pre-heating should be in such a way that the temperature difference between solder and ferrite surface is limited to 150°C max. Also cooling into solvent after soldering should be in such a way that the temperature difference is limited to 100°C max.
Insufficient pre-heating may cause cracks on the ferrite, resulting in the deterioration of product quality.
- Standard soldering profile and the limit soldering profile is as follows.
The excessive limit soldering conditions may cause leaching of the electrode and / or resulting in the deterioration of product quality.

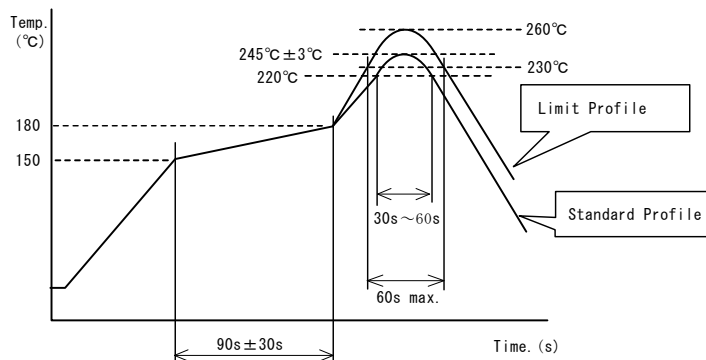
(3) soldering profile

Flow soldering profile



	Standard Profile	Limit Profile
Pre-heating	150°C, 60s min.	
Heating	250°C, 4~6s	265°C ± 3°C, 5s max.
Cycle of flow	2 times	

Reflow soldering profile



	Standard Profile	Limit Profile
Pre-heating	150~180°C, 90s ± 30s	
Heating	above 220°C, 30s~60s	above 217°C, 60s~150s
Peak temperature	245 ± 3°C	260°C, 10s
Cycle of reflow	2 times	

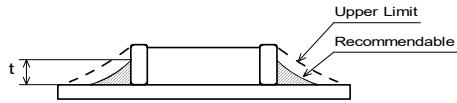
10-3. Reworking with soldering iron

- Pre-heating: 150°C, 1 min
- Tip temperature: 350°C max.
- Soldering time : 3(+1,-0) seconds.
- Soldering iron output: 80W max.
- Tip diameter: φ 3mm max.
- Times : 2times max.

Note :Do not directly touch the products with the tip of the soldering iron in order to prevent the crack on the ferrite material due to the thermal shock.

10-4.Solder Volume

Solder shall be used not to be exceeded as shown below.



$$1/3T \leq t \leq T$$

(T: Chip thickness)

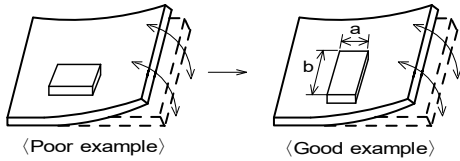
Accordingly increasing the solder volume, the mechanical stress to product is also increased. Exceeding solder volume may cause the failure of mechanical or electrical performance.

10-5.Attention regarding P.C.B. bending

The following shall be considered when designing and laying out P.C.B.'s.

(1) P.C.B. shall be designed so that products are not subject to the mechanical stress for board warpage.

<Products direction>



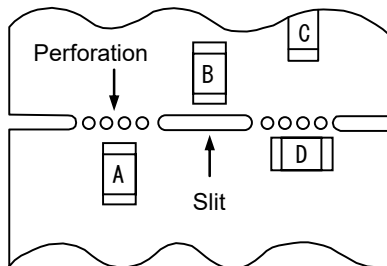
Products shall be located in the sideways direction (Length: a<b) to the mechanical stress.

(2)Components location on P.C.B. separation.

It is effective to implement the following measures, to reduce stress in separating the board.

It is best to implement all of the following three measures; however, implement as many measures as possible to reduce stress.

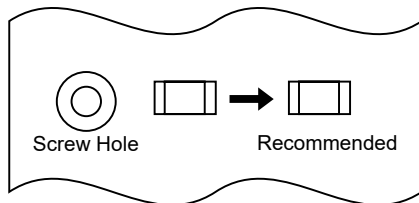
Contents of Measures	Stress Level
(1) Turn the mounting direction of the component parallel to the board separation surface.	A > D *1
(2) Add slits in the board separation part.	A > B
(3) Keep the mounting position of the component away from the board separation surface.	A > C



*1 A > D is valid when stress is added vertically to the perforation as with Hand Separation. If a Cutting Disc is used, stress will be diagonal to the PCB, therefore A > D is invalid.

(3) Mounting Components Near Screw Holes

When a component is mounted near a screw hole, it may be affected by the board deflection that occurs during the tightening of the screw. Mount the component in a position as far away from the screw holes as possible.



10-6.Mounting density

Add special attention to radiating heat of products when mounting the inductor near the products with heating. The excessive heat by other products may cause deterioration at joint of this product with substrate.

10-7. Operating Environment

Do not use this product under the following environmental conditions, on deterioration of the Insulation Resistance of the Ferrite material and/or corrosion of Inner Electrode may result from the use.

- (1) in the corrodible atmosphere such as acidic gases, alkaline gases, chlorine, sulfur gases, organic gases and etc. (the sea breeze, Cl₂, H₂S, NH₃, SO₂, NO₂, etc)
- (2) in the atmosphere where liquid such as organic solvent, may splash on the products
- (3) in the atmosphere where the temperature / humidity changes rapidly and it is easy to dew

10-8. Resin coating

The impedance value may change and/or it may affect on the product's performance due to high cure-stress of resin to be used for coating / molding products. So please pay your careful attention when you select resin.

In prior to use, please make the reliability evaluation with the product mounted in your application set.

10-9. Cleaning Conditions

Products shall be cleaned on the following conditions.

- (1) Cleaning temperature shall be limited to 60°C max. (40°C max. for IPA.)
- (2) During ultrasonic cleaning, under some cleaning conditions, the resonation of PCB should be caused by its vibration. Be sure to do the test cleaning with actual cleaning equipment before production and confirm that product does not be damaged by cleaning.
- (3) Cleaner
 1. Alternative cleaner
 - Isopropyl alcohol (IPA)
 2. Aqueous agent
 - PINE ALPHA ST-100S
- (4) There shall be no residual flux and residual cleaner after cleaning.

In the case of using aqueous agent, products shall be dried completely after rinse with de-ionized water in order to remove the cleaner.
- (5) Other cleaning

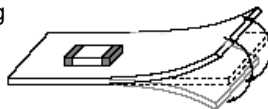
Please contact us.

10-10. Handling of a substrate

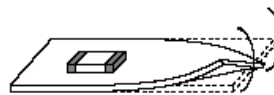
After mounting products on a substrate, do not apply any stress to the product caused by bending or twisting to the substrate when cropping the substrate, inserting and removing a connector from the substrate or tightening screw to the substrate.

Excessive mechanical stress may cause cracking in the product.

Bending



Twisting

**10-11. Storage Conditions****(1) Storage period**

Use the products within 6 months after delivered.

Solderability should be checked if this period is exceeded.

(2) Storage conditions

- Products should be stored in the warehouse on the following conditions.

Temperature : -10°C to 40°C


Humidity : 15% to 85% relative humidity

No rapid change on temperature and humidity

- Don't keep products in corrosive gases such as sulfur, chlorine gas or acid, or it may cause oxidization of electrode, resulting in poor solderability.
- Products should be stored on the palette for the prevention of the influence from humidity, dust and so on.
- Products should be stored in the warehouse without heat shock, vibration, direct sunlight and so on.
- Avoid storing the product by itself bare (i.e. exposed directly to air).

(3) Delivery

Care should be taken when transporting or handling product to avoid excessive vibration or mechanical shock.

11 .  Note

- (1) Please make sure that your product has been evaluated in view of your specifications with our product being mounted to your product.
- (2) You are requested not to use our product deviating from the reference specifications.
- (3) The contents of this reference specification are subject to change without advance notice. Please approve our product specifications or transact the approval sheet for product specifications before ordering.