

Single high rate CAN isolation transceiver module in SMD package



CE Report RoHS

EN62368-1

## FEATURES

- Small SMD12 size measuring 17.00 x 12.14 x 9.45mm
- Two-port isolation test voltage (2.5kVDC)
- High baud rate of up to 1 Mbps
- Operating ambient temperature range: -40°C to +105°C
- The bus supports maximum 110 nodes
- Set isolation and ESD bus protection in one

The TD331SCANH/TD531SCANH series' main function is to convert TTL / CMOS level into isolated CAN bus differential level signals. The use of IC integrated technology allows for power isolation, signal isolation, CAN transceiver and bus protection all in one single CAN bus transceiver module, which withstands an isolation test voltage of 2500VDC. Also, they can easily be embedded in the user's end equipment, to achieve fully functional CAN bus network connectivity. The products are using pick and place SMD packaging technology, thus enabling the use of fully automated processing.

## Selection Guide

Certification	Part No.	Power input (VDC)	Baud rate (bps)	Static Current (mA) (Typ.)	Maximum Operating Current (mA)	Bus Maximum Voltage (VDC)	Number of Nodes
EN	TD331SCANH	3.3	40k-1M	18	75	±40	110
	TD531SCANH	5	40k-1M	18	75	±40	110

## Absolute Limits

Item	Operating Conditions	Min.	Typ.	Max.	Unit
Input Surge Voltage (1sec.max.)	3.3V series	-0.7	--	5	VDC
	5.0V series	-0.7	--	7	
Reflow Soldering Temperature	Peak temp. ≤245°C, maximum duration ≤60s at 217°C. Please also refer to IPC/JEDEC J-STD-020D.1.				

## 3.3V Input Specifications

Item	Symbol	Min.	Typ.	Max.	Unit	
Power Supply Input Voltage	V <sub>CC</sub>	3.15	3.3	3.45	VDC	
TXD Logic Level	High-level	V <sub>IH</sub>	0.7V <sub>CC</sub>	--		V <sub>CC</sub>
	Low-level	V <sub>IL</sub>	0	--		0.8
RXD Logic Level	High-level	V <sub>OH</sub>	V <sub>CC</sub> -0.4	3.1		--
	Low-level	V <sub>OL</sub>	0	0.2	0.4	
TXD Drive Current	I <sub>T</sub>	2	--	--	mA	
RXD Output Current	I <sub>R</sub>	--	--	10		
Serial Interface	Standard CAN controller interface for +3.3V					

## 5.0V Input Specifications

Item	Symbol	Min.	Typ.	Max.	Unit	
Power Supply Input Voltage	V <sub>CC</sub>	4.75	5	5.25	VDC	
TXD Logic Level	High-level	V <sub>IH</sub>	0.7V <sub>CC</sub>	--		V <sub>CC</sub>
	Low-level	V <sub>IL</sub>	0	--		0.8
RXD Logic Level	High-level	V <sub>OH</sub>	V <sub>CC</sub> -0.4	4.8		--
	Low-level	V <sub>OL</sub>	0	0.2	0.4	
TXD Drive Current	I <sub>T</sub>	2	--	--	mA	
RXD Output Current	I <sub>R</sub>	--	--	10		
Serial Interface	Standard CAN controller interface for +5.0V					

### Transmission Specifications

Item	Symbol	Min.	Typ.	Max.	Unit
Data Delay	TXD Transmitter Delay	tr	55	130	ns
	RXD Receiver Delay	tr	65	135	
	Cycle Delay	t <sub>PRO(TXD-RXD)</sub>	120	250	
Dominant Timeout		0.3	1	12	ms

### Output Specifications

Item	Symbol	Min.	Typ.	Max.	Unit	
Dominant Level (Logic 0)	CANH	V <sub>(OD)CANH</sub>	2.75	3.5	4.5	VDC
	CANL	V <sub>(OD)CANL</sub>	0.5	1.5	2.25	
Recessive Level (Logic 1)	CANH	V <sub>(OR)CANH</sub>	2	2.5	3	
	CANL	V <sub>(OR)CANL</sub>	2	2.5	3	
Differential Level	Dominant Level (Logic 0)	V <sub>diff(d)</sub>	1.5	2	3	
	Recessive Level (Logic 1)	V <sub>diff(r)</sub>	-0.05	0	0.05	
Bus Pin Maximum Withstand Voltage	V <sub>x</sub>	-40	--	+40		
Bus Transient Toltage	V <sub>trt</sub> , Meet ISO7637-3 standard	-150	--	+100		
Bus Pin Leakage Current	(V <sub>CC</sub> =0V, V <sub>CANH/L</sub> =5V)	-5	--	5	uA	
Load Resistance Differential	R <sub>L</sub>	50	60	65	Ω	
Input Impedance Differential	R <sub>diff</sub>	30		80	kΩ	
CAN Bus Interface	Meets ISO/DIS 11898-2 standard Twisted-pair output					

### General Specifications

Item	Operating Conditions	Value
Isolation Test	Electric strength test for 1 min., leakage current <1mA	2.5 kVDC
Insulation Resistance	At 500VDC	1000MΩ (input-output)
Operating Temperature		-40°C to +105°C
Transportation and Storage Temperature		-50°C to +125°C
Operating Humidity	Non-condensing	10% - 90%
Safety Standard		EN62368-1 (Report)
Safety Class		CLASS III
Moisture Sensitivity Level (MSL)	IPC/JEDEC J-STD-020D.1	Level 1

### Mechanical Specifications

Case Material	WH9100-F (UL94 V-0)
Package	SMD12; Dimension 17.00 x 12.14 x 9.45mm
Weight	2.8g (Typ.)
Cooling Method	Free air convection

### Electromagnetic Compatibility (EMC)

Emission	CE	CISPR32/EN55032	CLASS A (see Fig.3)	
Immunity	ESD	IEC/EN 61000-4-2	Contact ± 2kV/Air ± 8kV (without external components, signal port)	Perf. Criteria B
	RS	IEC/EN 61000-4-3	10V/m (without external components)	Perf. Criteria A
	EFT	IEC/EN 61000-4-4	±2kV (without external components, signal port)	Perf. Criteria B
	Surge	IEC/EN 61000-4-5	±2kV (line to ground) (without external components, signal port)	Perf. Criteria B
	CS	IEC/EN 61000-4-6	3Vr.m.s (without external components)	Perf. Criteria A

Application Precautions

1. Carefully read and follow the instructions before use; contact our technical support if you have any question;
2. Do not use the product in hazardous areas;
3. Use only DC power supply source for this product. 220V AC power supply is prohibited;
4. It is strictly forbidden to disassemble the product privately in order to avoid product failure or malfunction.
5. Hot-swap is not supported.
6. If the external input of TXD is insufficient, the pull-up resistor should be added according to the situation.

After-sales service

1. Factory inspection and quality control are strictly enforced before shipping any product; please contact your local representative or our technical support if you experience any abnormal operation or possible failure of the module;
2. The products have a 3-year warranty period, from the date of shipment. The product will be repaired or exchanged free of charge within the warranty period for any quality problem that occurs under normal use.

Applied circuit

Refer to the CAN Industrial Bus Interface Isolating Module Application Manual.

Design Reference

1. Typical application circuit

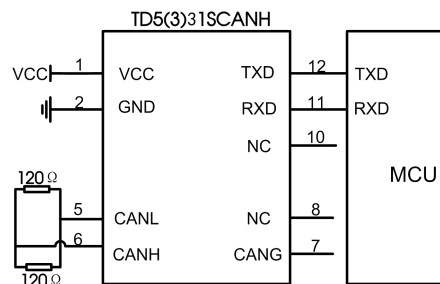


Fig. 1

Figure 1 shows a typical application circuit for connecting a module. The module with its integrated power supply, CAN controller and CAN bus network interface can generally be used by customers as is, without the need of adding peripheral circuits.

Note: The logic level of the CAN controller should be compatible with the TD5(3)31SCANH.

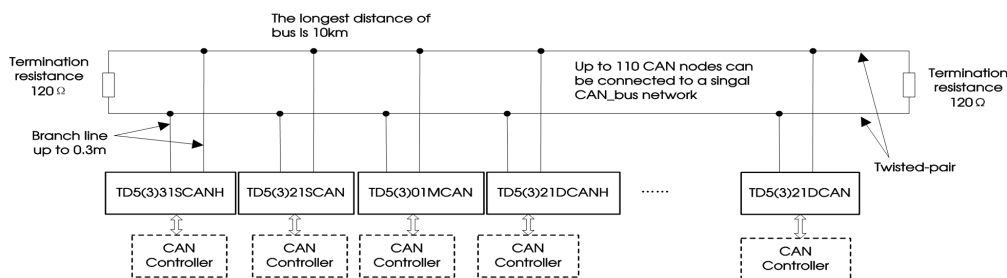


Fig. 2

As shown in Figure 2, a single CAN-bus network allows connecting as many as 110 isolated single-channel TD\_CAN transceiver modules. This universal type module supports a maximum communication distance of 10km while the high-speed type module can support a maximum communication distance of 1km with a baud rate beyond 40kbps. For accessing more nodes or achieving longer communication distances, CAN repeaters or other expansion equipment can easily be used.

Note: The communication distance of the bus is related to the communication speed and its field application. It can be designed according to the actual application and reference standard. We recommended the use of a twisted pair or shielded twisted pair as the communication cable and it should be kept away from any sources of interference. For long-distance communication, the terminal resistance value needs to be selected in accordance with the communication distance, the cable impedance and the number of nodes.

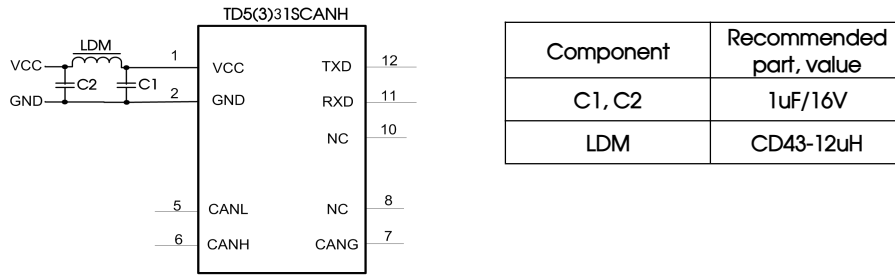


Fig.3

2. Recommended port protection circuit

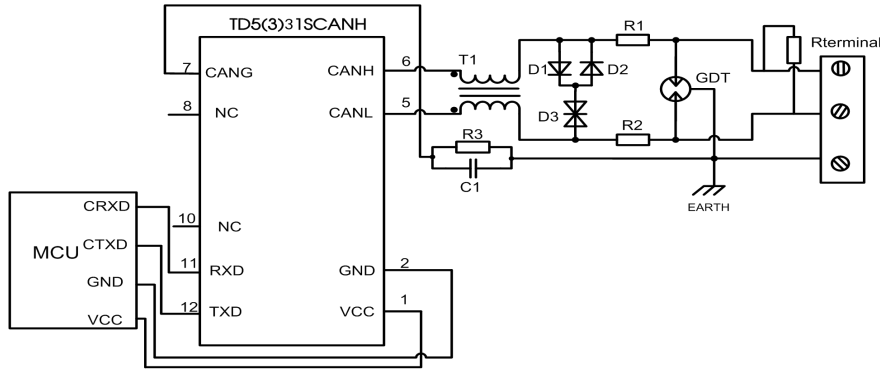


Fig.4

Note: Ground shield of twisted wire pair reliably.  
Recommended components and values:

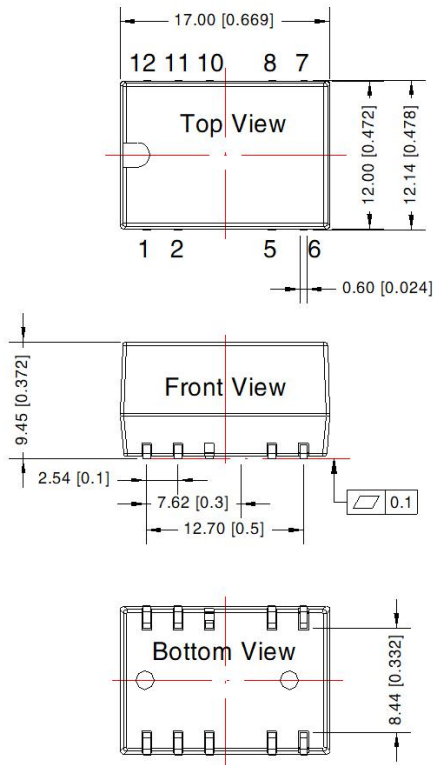
Component	Recommended part, value	Component	Recommended part, value
R3	1MΩ	R1, R2	2.7Ω /2W
C1	1nF, 2kV	D1, D2	1N4007
T1	ACM2520-301-2P	D3	SMBJ30CA
GDT	B3D090L	Rterminal	120Ω

When the module is used in applications with harsh environment, it can be susceptible to large energy like lightning strike, etc. in which case, it is essential to add an adequate protection circuit to the CAN signal ports to protect the system from failure and maintain a reliable bus communication. Figure 4 provides a recommended protection circuit design for high-energy lightning surges, with a degree of protection related to the selected protection device. Parameter description lists a set of recommended circuit parameters, which can be adjusted according to the actual application situation. Also, when using the shielded cable, the reliable single-point grounding of the shield must be achieved.

Note: The recommended components that will change the Specifications of Bus Pin Maximum Withstand Voltage by D3 and its values is a general guideline only. It must be verified for the actual user's application. We recommended using PTC's for R1 and R2 and to use fast recovery diodes for D1 and D2.

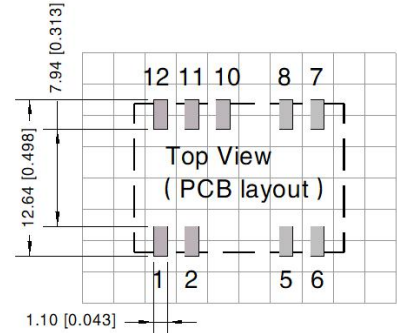
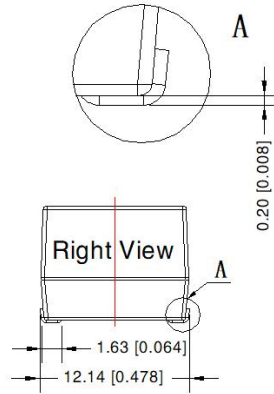
3. For additional information, please refer to our application note on [www.mornsun-power.com](http://www.mornsun-power.com)

Dimensions and Recommended Layout



Note:  
Unit: mm[inch]  
Pin section tolerances:  $\pm 0.10[\pm 0.004]$   
General tolerances:  $\pm 0.25[\pm 0.010]$

THIRD ANGLE PROJECTION

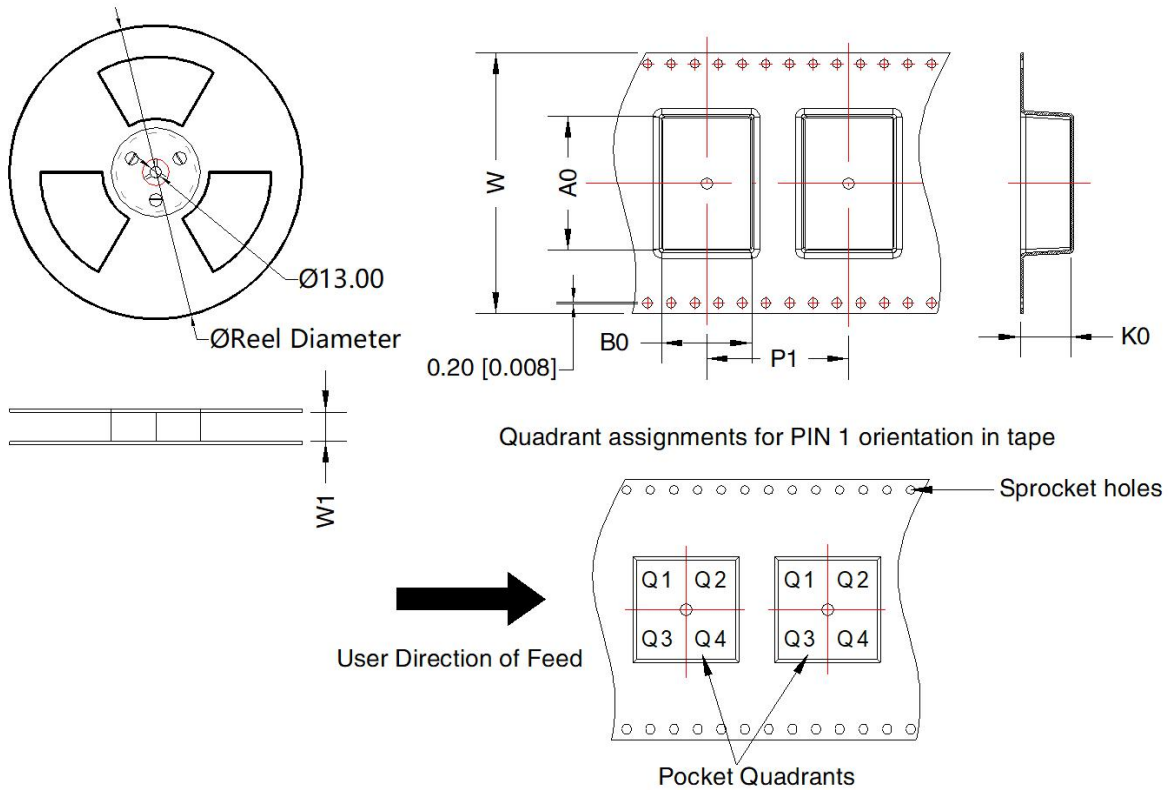


Note: Grid 2.54\*2.54mm

Pin-Out		
Pin	Mark	Function
1	VCC	Input Power+
2	GND	GND
5	CANL	CANL Pin
6	CANH	CANH Pin
7	CANG	Isolation Power Output Ground
8	NC	No Functon
10	NC	No Functon
11	RXD	Receiving Pin
12	TXD	Sending Pin

NC: No connection

Package diagram:



Device	Package Type	Pin	SPQ	Reel Diameter (mm)	Reel Width W1 (mm)	A0 (mm)	B0 (mm)	K0 (mm)	P1 (mm)	W (mm)	Pin1 Quadrant
TDx31SCANH	SMD	9	300	330.0	32.5	17.72	12.92	10.5	20.0	32.0	Q1
TDx31SCANFD	SMD	9	300	330.0	32.5	17.72	12.92	10.5	20.0	32.0	Q1

Notes:

1. For additional information on Product Packaging please refer to [www.mornsun-power.com](http://www.mornsun-power.com). The Tube Packing bag number: 58240014; The Roll Packing bag number: 58240013;
2. Unless otherwise specified, parameters in this datasheet were measured under the conditions of  $T_a=25^\circ\text{C}$ , humidity<75%RH with nominal input voltage and rated output load;
3. All index testing methods in this datasheet are based on company corporate standards;
4. The above are the performance indicators of the product models listed in this datasheet. Some indicators of non-standard models will exceed the above requirements. For details, please contact our technical staff;
5. We can provide product customization service, please contact our technicians directly for specific information;
6. Products are related to laws and regulations: see "Features" and "EMC";
7. Our products shall be classified according to ISO14001 and related environmental laws and regulations, and shall be handled by qualified units.

MORNSUN Guangzhou Science & Technology Co., Ltd.

Address: No. 5, Kehui St. 1, Kehui Development Center, Science Ave., Guangzhou Science City, Huangpu District, Guangzhou, P. R. China  
Tel: 86-20-38601850 Fax: 86-20-38601272 E-mail: [info@mornsun.cn](mailto:info@mornsun.cn) [www.mornsun-power.com](http://www.mornsun-power.com)