

Transmittal, reproduction, dissemination and/or editing of this document as well as utilization of its contents and communication thereof to others without express authorization are prohibited.
未经允许禁止传输、复制、编辑该文档，以及利用其内容进行交流

REVISION RECORD

REV	CN	DESCRIPTION	DRFT	DATE

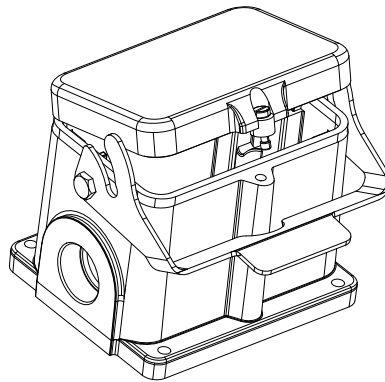
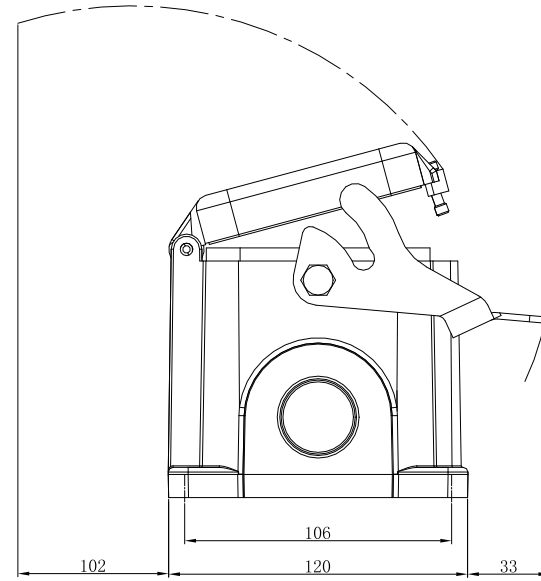
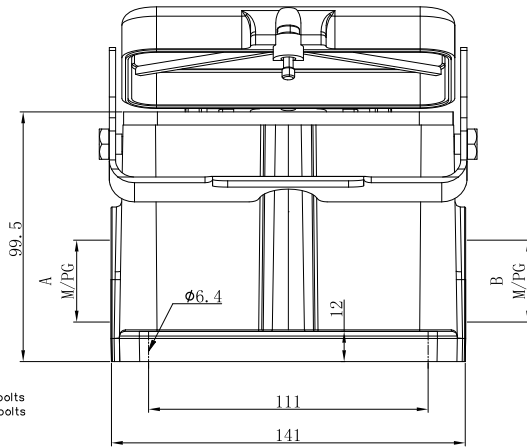
General information:

- 1.Material: Aluminium die-cast
- 2.Material, cover: Aluminium die-cast
- 3.Colour: Grey
- 4.Surface: Powder-coated
- 5.Operating temperature: -40°C~+125°C
- 6.Degree of protection acc.to DIN EN60529 for coupled connector: IP65
- 7.Outgoing direction: Side outgoing line
- 8.Locking element:
Locking type: Single locking latch
Material: Metal galvanized/nickel plating
- 9.Thread size: M/PG
- 10.Hoods&Housings seal: NBR
- 11.Undimensioned Tolerances:

Pitch Range in mm	Nominal Dimension in mm	Range	-	+
Over 6 to 10	Over 10 to 20	Over 20 to 30	Over 30 to 40	Over 40 to 100
±0.15	±0.20	±0.30	±0.50	±1.00
±0.10	±0.15	±0.20	±0.30	±0.50
±0.10	±0.15	±0.20	±0.30	±0.50

HOW TO ORDER:

- S48B-BM-1L.M
- Locking lever — 1L: 1 levers(plastic) 2B: 2 bolts
2L: 2 levers(plastic) 4B: 4 bolts
1L.M: 1 levers(Metal)
2L.M: 2 levers(Metal)
 - Housing type — SE: Side entry
SEH: Side entry-high construction
TE: Top entry
TEH: Top entry-high construction
BM: Bulkhead mounted
SM: Surface mounted
SMH: Surface mounted-high construction
CC: Cable to cable
CCH: Cable to cable high construction
 - Sereies — S3A: 3A Compact type S6B: 6B Standard type
S10A: 10A Compact type S10B: 10B Standard type
S16A: 16A Compact type S16B: 16B Standard type
S24A: 24A Compact type S24B: 24B Standard type
S32A: 32A Compact type S32B: 32B Standard type
S48B: 48B Standard type



Order number	A	B
S48B-SM-1L.M-M32-MC	M32×1.5	/
S48B-SM-1L.M-2M32-MC	M32×1.5	M32×1.5
S48B-SM-1L.M-M40-MC	M40×1.5	/
S48B-SM-1L.M-2M40-MC	M40×1.5	M40×1.5
S48B-SM-1L.M-PG29-MC	PG29	/
S48B-SM-1L.M-2PG29-MC	PG29	PG29
S48B-SM-1L.M-PG36-MC	PG36	/
S48B-SM-1L.M-2PG36-MC	PG36	PG36

Order No.	Signature	Date	Name	Surface	Tolerance	Revision Number	Weight	Scale
S48B-SM-1L.M-XXX-MC				S48B表面安装金属单扣底座-XXX-金属盖子	未注公差			表面
Item	Signature	Date	Name		Tolerances Table	VDI21		
Design	CHH	2024.07.25	图号	/	版本号			比例
Check	CHH	2024.07.25	材料	/	MO	/		1:1
Process	-	-	物料号	/	第1页/共1页 1 of 1			mm
Unify	-	-	Item No.	...	宁波盛普电子有限公司 NINGBO SUPU ELECTRONICS CO.,LTD.			
Approve	XJ	2024.07.25		/				

借通用件登记
Common Part

原图号
Old Draw. No.

底图总号
Assembly No.