

Data sheet

Commercial Art.No.: 05.544.0929.0

Male contact 0,2-0,56 QMM

Male contact, stamped Ø 1,6 mm, 0,2-0,56 mm², AWG 24-20, Sn



Commercial Art.No.	05.544.0929.0
EAN	4015573083264
Order Unit	200

Technical data

General

Wire strip length	4 mm
Min. conductor cross section flexible wire	0.2 mm ²
Max. conductor cross section flexible wire	0.56 mm ²
Min. UL/CSA wire diameter flexible wire	24 AWG
Max. UL/CSA wire diameter flexible wire	20 AWG
Connection type	Crimp
Material	Bronze
Massive contact	No
Contact pin diameter	1.58 mm
Inflammability class of insulation material acc. with UL94	Other
Contact resistance	≤ 4 mOhm

Classification

ECLASS 11	
ECLASS 8.1	27440204
ETIM 7.0	EC000796
ETIM 6.0	EC000796
ETIM 5.0	EC000796
ETIM 4.0	EC000796
ETIM 3.0	EC000796

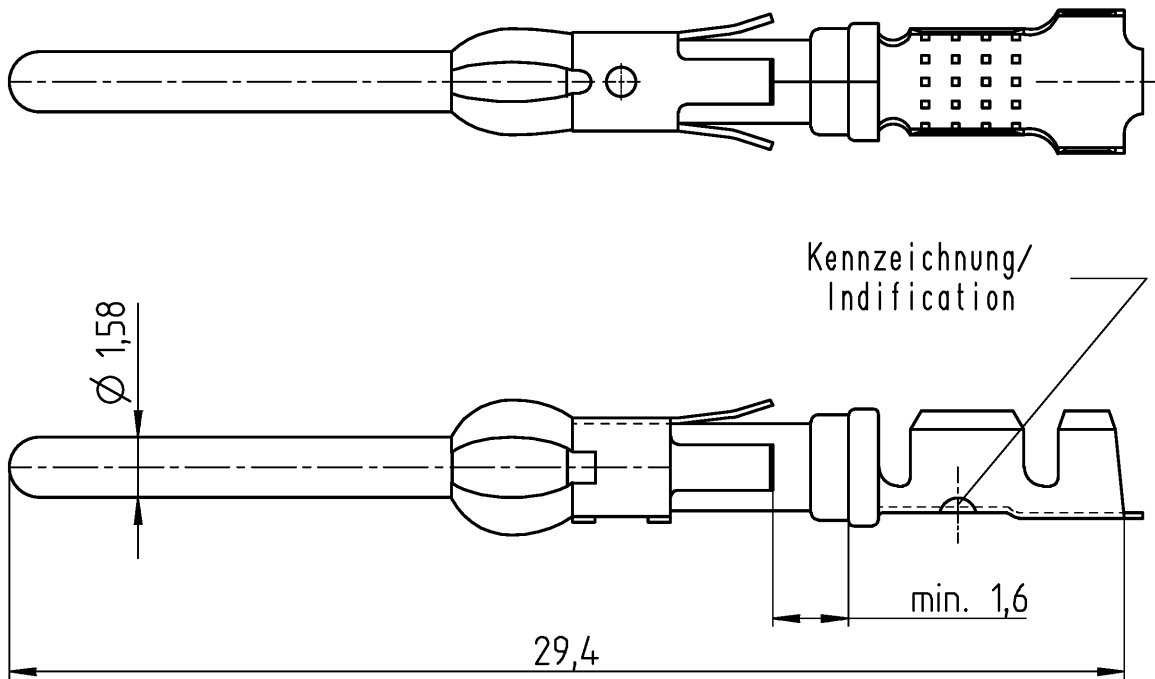
Product compliance

ROHS conformity status	Compliant
REACH-SVHC conformity status	Compliant

Accessories

Commercial Art.No.:	Article-type description:	Description:
---------------------	---------------------------	--------------

05.502.2400.0	Crimping die E	Crimp dies for revos crimping tool, usable for crimp-contacts with a cross section of 0.2-0.56 mm ² and 0.5-1.5 mm ²
05.502.3200.0	Contact positioner 2	Contact positioner for crimp-contacts with a diameter of 1.6 mm and 2.5 mm
95.101.0800.0	Basic crimping tool .	Crimping tool kit
05.502.0000.0	Extraction tool HD	Extraction tool for HD contacts



Kennzeichnung/
Indification

Ø 1,58

29,4

min. 1,6

= Bandware / tape reeled

Weitere Daten siehe Katalog
further data see catalog

Teile-Nr. part number	Material	Oberfläche surface	Kennzeichnung indification	Leitungs-Ø conductor-Ø
05.544.0729.0	CuZn	selektivvergoldet	gelb/yellow	0,2 - 0,56 [□]
# 05.544.0700.0		selective gold pl.	/	
05.544.0929.0	CuZn	Glanz-Zinn	gelb/yellow	
# 05.544.0900.0		tin	/	
05.544.1029.0	CuZn	Glanz-Zinn	blau/blue / ohne/without	0,5 - 1,5 [□]
# 05.544.1000.0		tin	/	
05.544.1429.0	CuZn	selektivvergoldet	blau / blue	
# 05.544.1400.0		selective gold pl.	/	

Tolerierung Size ISO 14405 © / Tolerance system Size ISO 14405 ©.
(This ISO-standard describes the envelope principle. According to the envelope principle the deviations of form and parallelism are limited by the size tolerances).

ja/yes Stoffverbots- und Deklarationsliste nach WN 5020.010 ist einzuhalten.
Conformity with Wieland document WN 5020.010 e (list of prohibited / declarable hazardous substances) to be declared!

Freitoleranz nach
General tolerance

CAD - Zeichnung, keine manuellen Änderungen
CAD - drawing, no manual modifications allowed

1. Verwendung:
First Use:

Blatt: 1 von 1
Sheet: of 1

Werkstoff / Material siehe Tabelle see chart		Tag/Date 08.02.2008	Name Schmitt J.	Zeichnung Nr. / Drawing No. T 05.544.1029.0 01K		Index
Maßstab / Scale %		gezeichnet drawn	geprüft checked	Maße in mm / Dimensions are in mm		
Vol. mm ³ / OfL./Srf. mm ²		Ersatz für / Replacement for:				
www.wieland-electric.com		Type	Benennung/Title STECKERKONTAKT plug-in contact			
Index	Datum / Blatt Date / Sheet	Änderung / Revision				