

Data sheet

Commercial Art.No.: 05.587.3156.0

Lock (G)ST18 WS

Locking device for cable to cable connection GST18i3-5, white



Commercial Art.No.	05.587.3156.0
EAN	4015573092440
Order Unit	1

Technical data

Classification

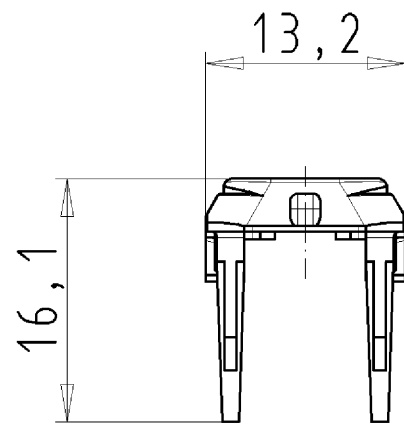
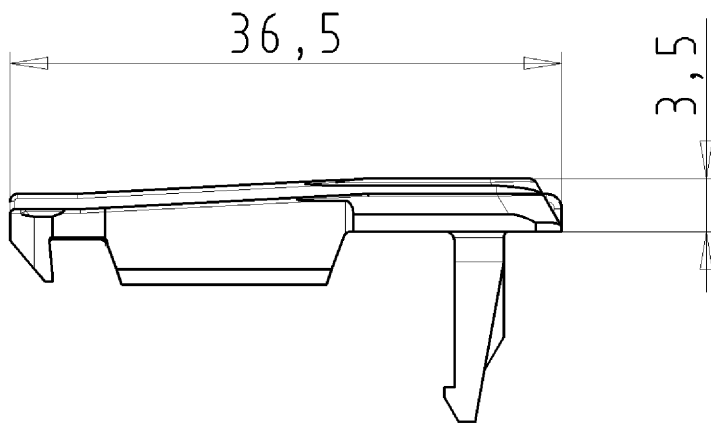
ECLASS 11	
ETIM 7.0	EC002863
ETIM 6.0	EC002863
ETIM 5.0	EC002863

Technical data

Length	36.5 mm
Width	13.2 mm
Height	16.1 mm
Color	white
Description 1	interlock
Description 2	for flying leads

Product compliance

ROHS conformity status	Compliant
REACH-SVHC conformity status	Compliant



VERRIEGELUNG

05.587.3156.1 10W

03.02.2009 LUS

M 2:1