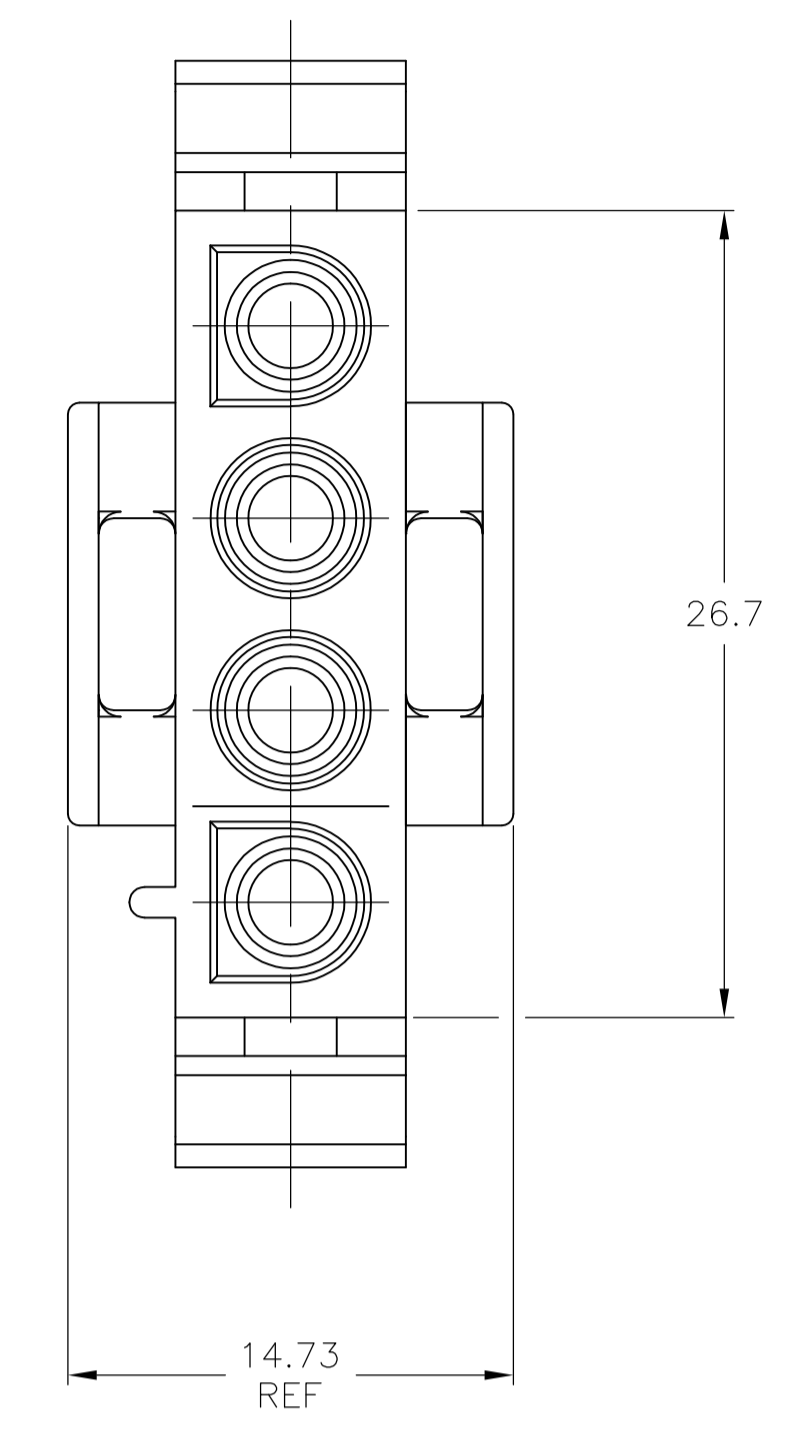
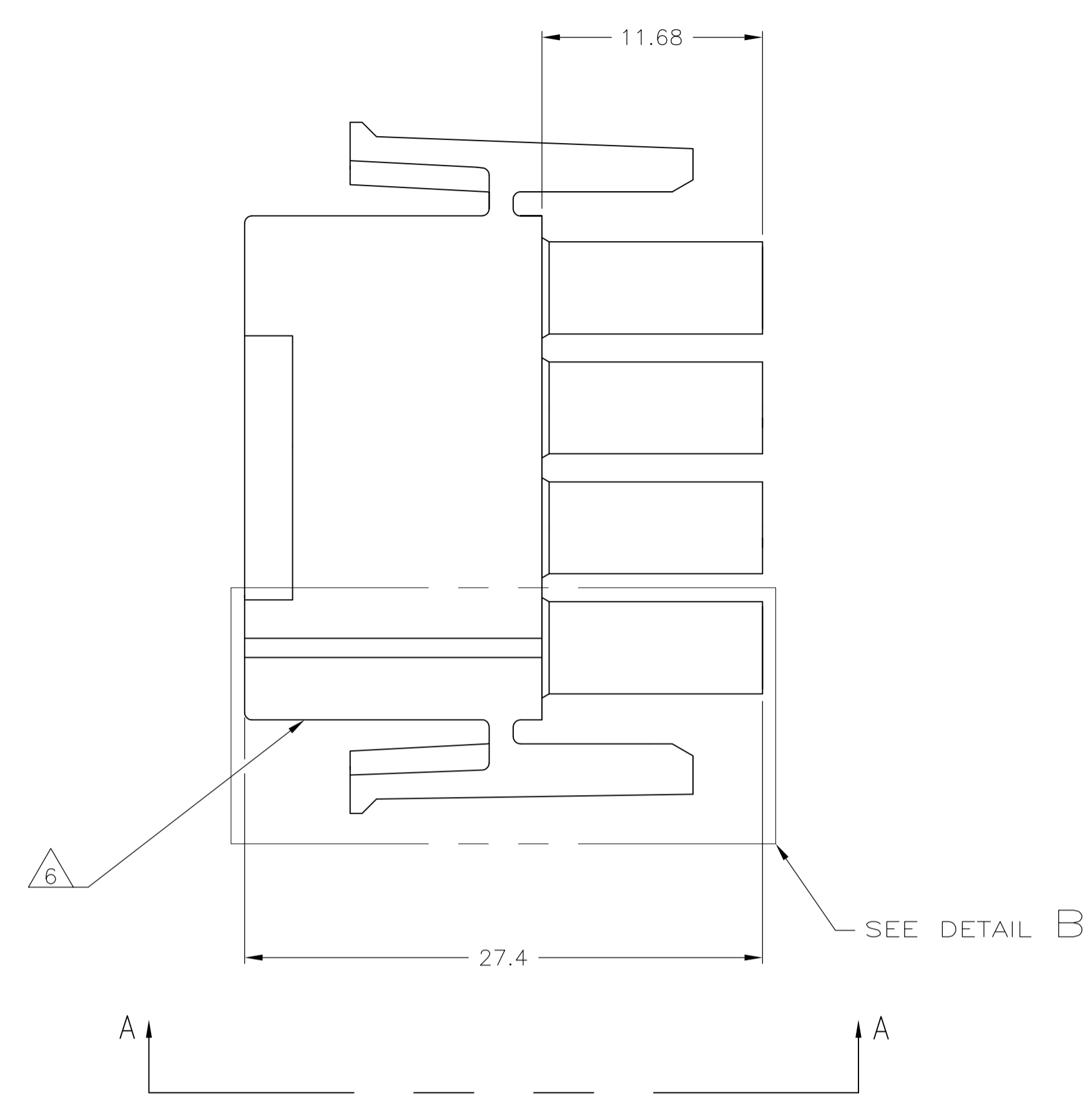
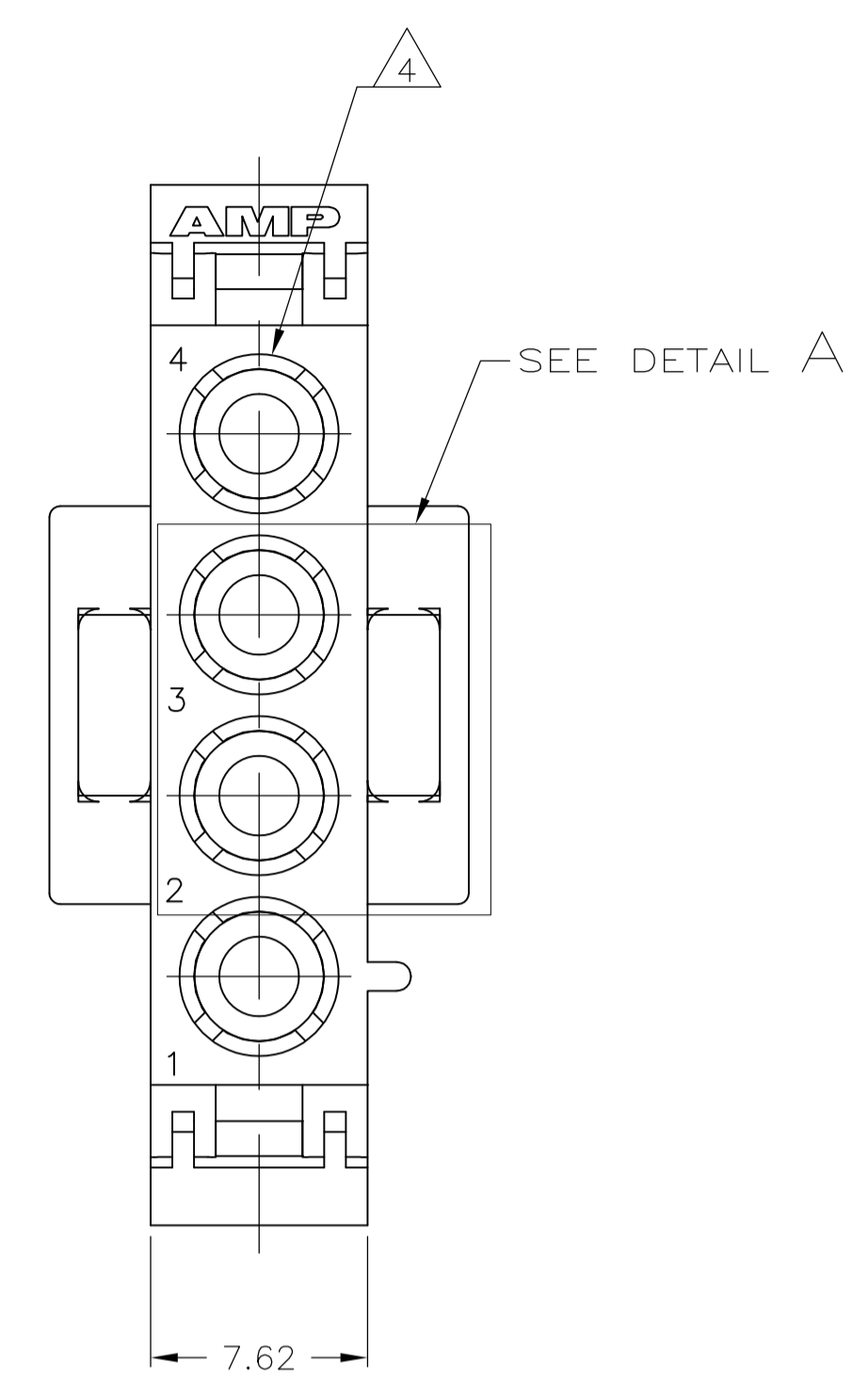
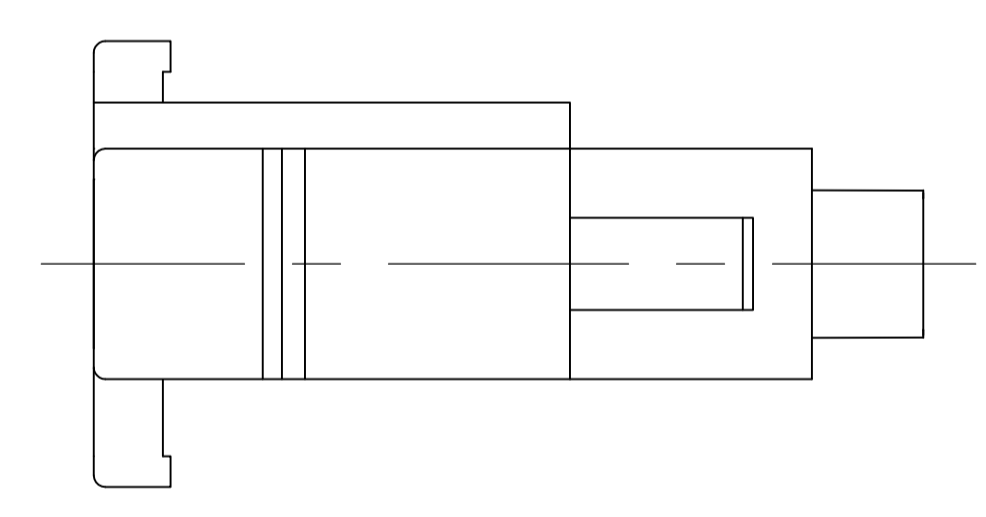


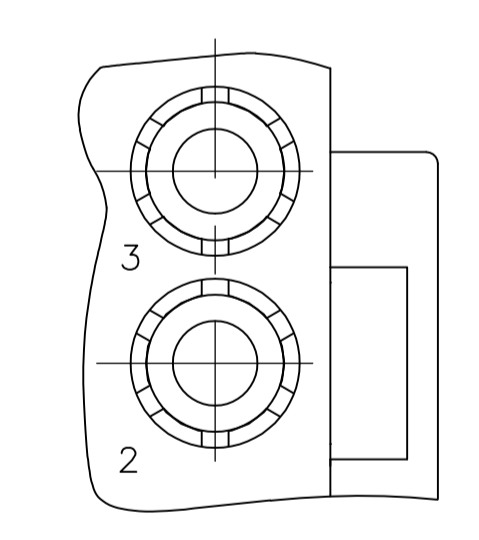
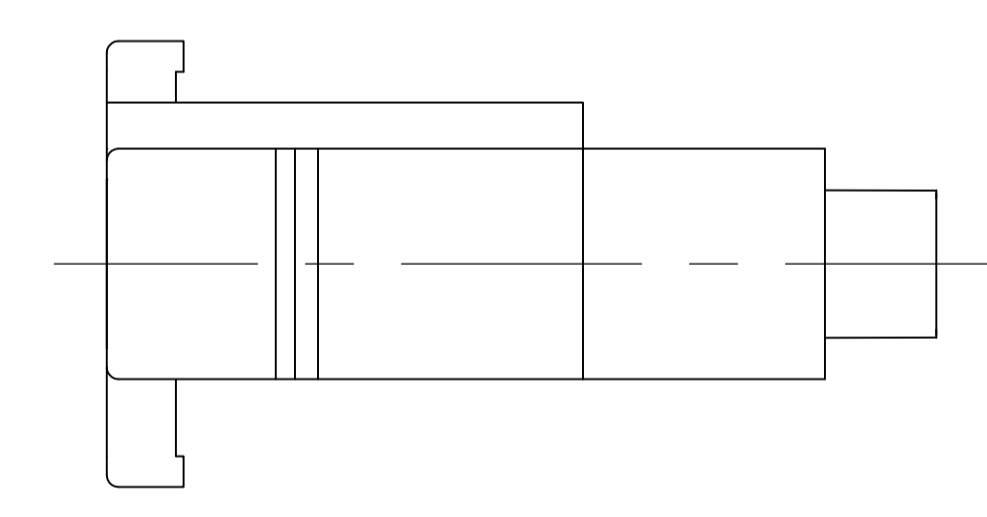
LOC		DIST		REVISIONS			
REV	DATE	BY	CHK	DESCRIPTION	DATE	BY	CHK
CM	53	AB6		REVISED PER ECR-17-006277	24MAY2017	BW	KR



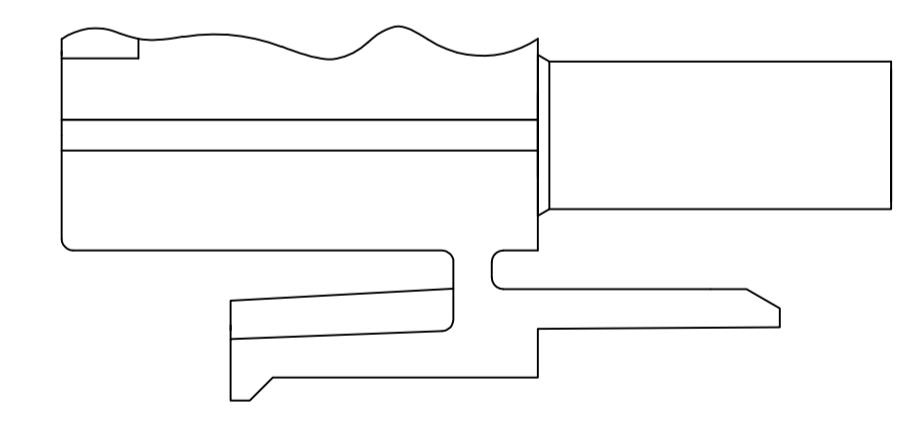
- MATES WITH APPROPRIATE UNIVERSAL MATE-N-LOK™ CAP OR HEADER.
 - SMALL NICKS ARE PERMITTED ON THE CIRCUIT TOWERS WHICH COULD INCREASE THE INITIAL HOUSING MATING FORCE BY UP TO 4.4 NEWTONS [1.0 LBS]. NO INDIVIDUAL NICKED TOWER SHALL INCREASE THIS FORCE BY OVER 2.2 NEWTONS [.5 LBS].
 - DIMENSIONS SHOWN REPRESENT PRODUCT IN DRY, AS MOLDED, CONDITION. ADDITIONAL 2% GROWTH DUE TO SUBSEQUENT MOISTURE ABSORPTION MAY OCCUR AND SHOULD BE ACCOUNTED FOR.
- △4 FOUR RIBS EQUALLY SPACED, NO SPECIFIC ORIENTATION. SIX RIBS EQUALLY SPACED, NO SPECIFIC ORIENTATION, OPTIONAL.
 - △5 NOT MANUFACTURED IN U.S.
 - △6 UNDERWRITERS RECOGNIZED COMPONENT LOGO AND CSA CERTIFICATION LOGO TO BE LOCATED ONCE EACH ON SIDE OF HOUSING.
 - △7 MATERIAL CORRESPONDING TO THE REQUIREMENT OF IEC60335-1 (INCL. GWT 750°C WITHOUT FLAME)



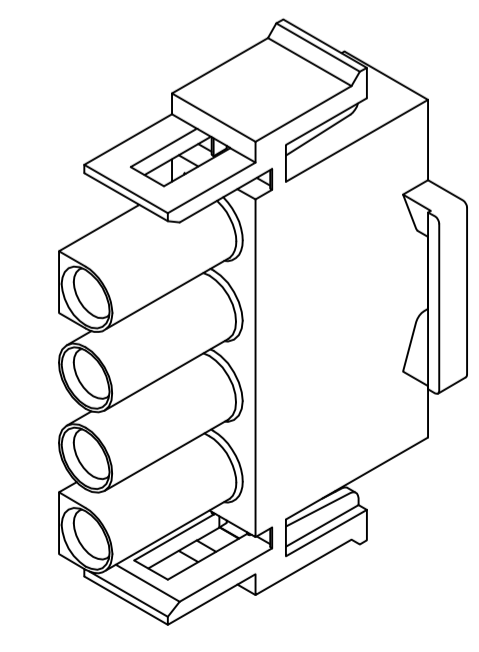
VIEW A-A
350779-4 ONLY



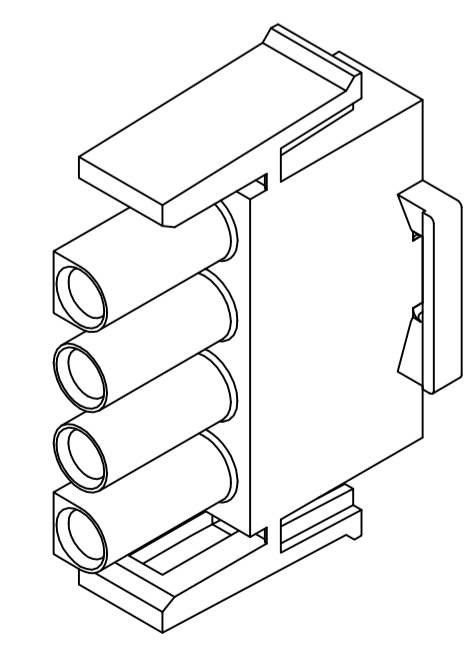
DETAIL A
OPTIONAL CONSTRUCTION



DETAIL B
350779-4 ONLY



350779-4 3-DIMENSIONAL MODEL
NTS



3-DIMENSIONAL MODEL
NTS

△	COLOR	PART NO.
△	NATURAL	350779-5
	BLACK	1-350779-9
	GRAY	1-350779-8
	BLUE	1-350779-6
	GREEN	1-350779-5
	YELLOW	1-350779-4
	ORANGE	1-350779-3
	RED	1-350779-2
	BROWN	1-350779-1
△		350779-4
	NATURAL	350779-1
	COLOR	PART NO.

THIS DRAWING IS A CONTROLLED DOCUMENT.

DIMENSIONS:	TOLERANCES UNLESS OTHERWISE SPECIFIED:	DIN R VESTAL 03FEB95	STE	TE Connectivity
mm	0.150 ± 0.050	CHK R SWING 03FEB95		
	0.150 ± 0.050	APP'D D SELF 03FEB95		
	0.150 ± 0.050	NAME		
	0.150 ± 0.050	PRODUCT SPEC		
	0.150 ± 0.050	APPLICATION SPEC		
	0.150 ± 0.050	SIZE		
	0.150 ± 0.050	WEIGHT		
MATERIAL NYLON, UL 94V-0	FINISH -	CAGE CODE	000779	350779
		DRAWING NO		
		RESTRICTED TO		
		CUSTOMER DRAWING		
		SCALE	4:1	
		SHEET	1	OF 1
		REV	AB6	