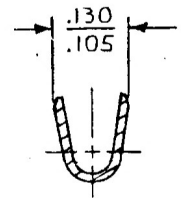
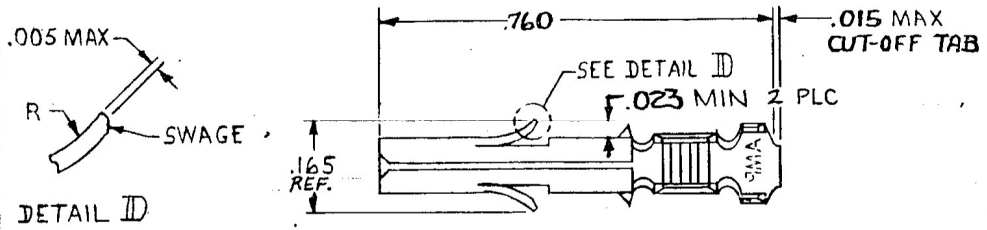
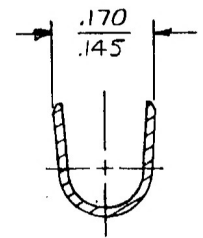
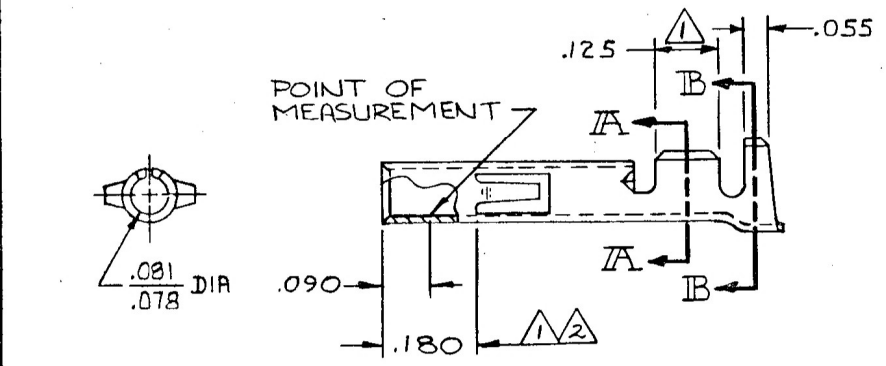


© COPYRIGHT

REVISIONS						
P	F	ZONE	LTR	DESCRIPTION	DATE	APPROVED
		S		REVISED PER ECR-12-013323	10AUG12	TM



SECTION A-A



SECTION B-B

- ① .000030 THICK GOLD OVER NICKEL ON INSIDE OF RECEPTACLE AND WIRE BARREL; REMAINDER OF CONTACT IS NICKEL PLATED.
- ② .000030 THICK GOLD OVER NICKEL ON INSIDE OF RECEPTACLE; REMAINDER OF CONTACT IS NICKEL PLATED.
- ③ INSULATION RANGE: .060-.130 DIA

GOLD	② .012 BRASS	350550-7
	.012 PH. BRZ	350550-6
PRE-TIN	.012 PH. BRZ	350550-3
GOLD	① .012 BRASS	350550-2
PRE-TIN		350550-1
FINISH	MATERIAL	PART NO

UNLESS OTHERWISE SPECIFIED DIMENSIONS ARE IN INCHES. TOLERANCES ON: DECIMALS ±.015 ANGLES ±	CONTRACT NO		TE Connectivity
	DR	<i>m. Feher 4-21-81</i>	
WIRE RANGE	CHK	<i>D.S. Heide 6/9/81</i>	NAME SOCKET, (LOOSE PIECE) UNIVERSAL MATE-N-LOK
20-14- AWG	APPD	<i>P. Balchuk 6-10-81</i>	
INSULATION RANGE	DSGN APPD		SIZE B
③	OTHER APPD		CODE IDENT NO 00779
			DRAWING NO 350550
			SCALE 4-1
			SHEET 11