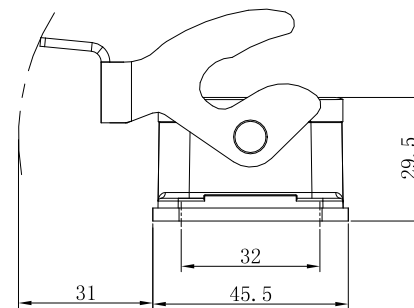
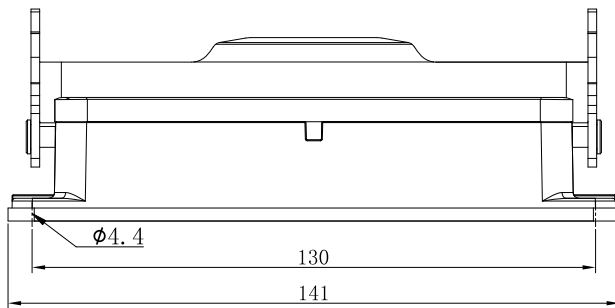


Transmittal, reproduction, dissemination and/or editing of this document as well as utilization of its contents and communication thereof to others without express authorization are prohibited.
未经允许禁止传输、复制、编辑该文档，以及利用其内容进行交流

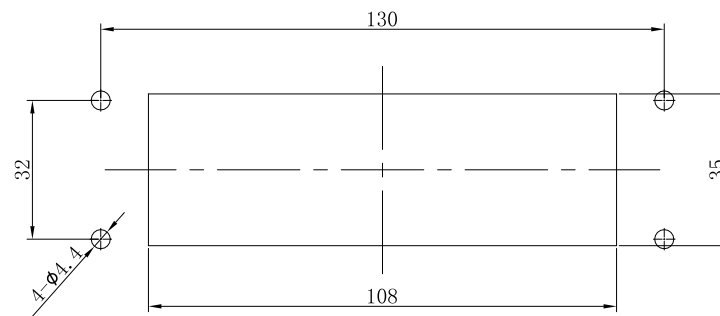
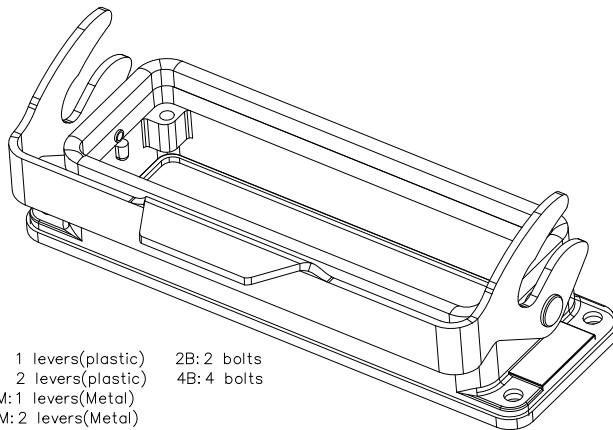
REVISION RECORD				
REV	CN	DESCRIPTION	DRFT	DATE



General information:

1. Material: Aluminium die-cast
2. Colour: Grey
3. Surface: Powder-coated
4. Operating temperature: -40°C~+125°C
5. Degree of protection acc.to DIN EN60529 for coupled connector: IP65
6. Outgoing direction: Bottom entry
7. Locking element:
 - Locking type: Single locking latch
 - Material: Metal galvanized/nickel plating
8. Hoods&Housings seal: NBR
9. Undimensioned Tolerances:

Pitch mm	Range In		Nominal Dimension Range				Tolerance	
	6	10	30	60	100	150		
TO	TO	TO	TO	TO	TO	TO	0.1/10	
±0.15	±0.20	±0.30	±0.30	±0.50	±0.70	±1.00	±1.30	±2'



Panel cut out for use without Hoods/housings

HOW TO ORDER:

S24B-BM-1L.M

- Locking lever — 1L: 1 levers(plastic) 2B: 2 bolts
2L: 2 levers(plastic) 4B: 4 bolts
1L.M: 1 levers(Metal)
2L.M: 2 levers(Metal)

- Housing type — SE: Side entry
SEH: Side entry-high construction
TE: Top entry
TEH: Top entry-high construction
BM: Bulkhead mounted
SM: Sufeface mounted
SMH: Sufeface mounted-high construction
CC: Cable to cable
CCH: Cable to cable high construction

- Sereies — S3A: 3A Compact type S6B: 6B Standard type
S10A: 10A Compact type S10B: 10B Standard type
S16A: 16A Compact type S16B: 16B Standard type
S32A: 32A Compact type S24B: S24B Standard type
S32B: S32B Standard type
S48B: S48B Standard type

借通用件登记
Common Part

原图号
Old Draw. No.

底图总号
Assembly No.

订货号 Order No.	S24B-BM-1L. M		名称 Name	S24B开孔安装 金属单扣底座	未注公差 Tolerance	表面 Surface	
项目 Item	签字 Signature	日期 Date	图号 Drawing No.	/	Tolerances Table		VDI21
设计 Design	CHH	2024.07.18	材料 Material	/	版本号 Revision Number	重量 Weight	比例 Scale
审核 Check	CHH	2024.07.18	物料号 Item No.	/	MO	/	1:1
工艺 Process	-	-		/	第1页/共1页 1 of 1	mm	
标准化 Unify	-	-		/	宁波盛普电子有限公司 NINGBO SUPU ELECTRONICS CO.,LTD.		
批准 Approve	XJ	2024.07.18		/			