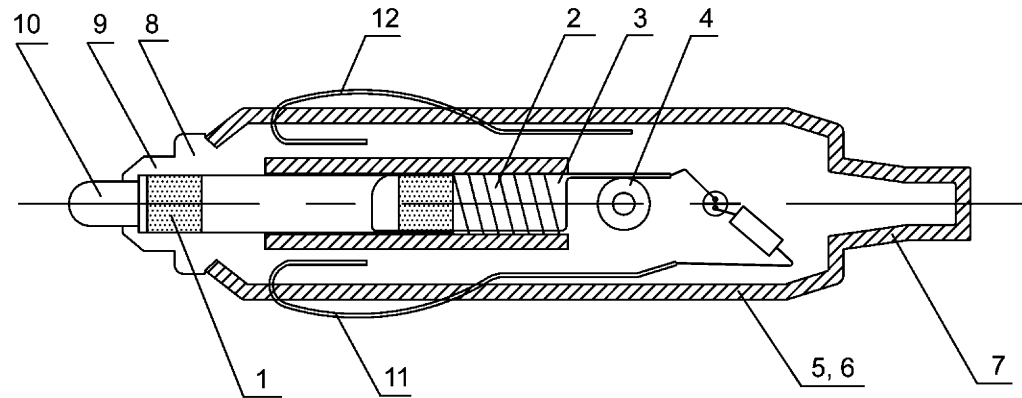
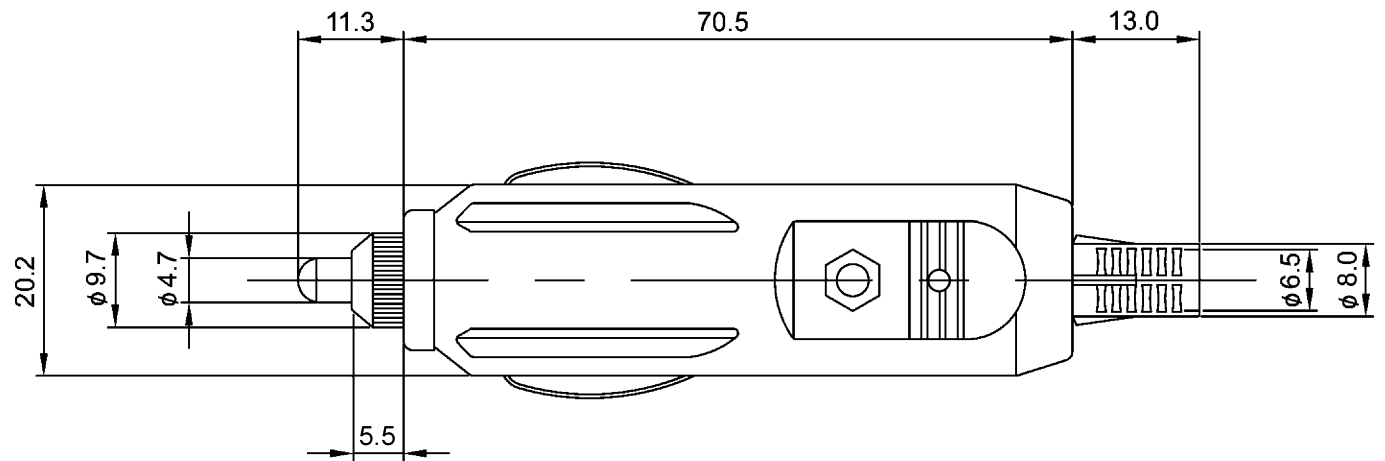


RoHS
Compliant
Drawing For
Reference Only



12	1# Spring Contact	Steel Nickel Plated
11	2# Spring Contact	Steel Nickel Plated
10	Contact Pin	Brass Nickel Plated
9	Metal Ring With Thread	Brass Nickel Plated
8	Metal Ring	Steel Nickel Plated
7	Busing	Plastic PVC
6	Housing w/o Thread	Baklite
5	Housing With Thread	Baklite
4	Screw	Steel
3	3# Spring Contact	Steel Nickel Plated
2	Spring	Brass
1	Fuse	-----
No.	Name	Plated

Technical requirement :

1. This product should meet EU RoHS related requirement.
2. The surface of plastic part should be without any crackle such as burr,lack,and so on phenomenon.
3. The surface of metal part should be without any defect such as scaur,nick,oxidation and plating problem.
4. The electronic performance should be the same as spec.
5. The un-specified tolerance is : <math><6\pm 0.1</math>
 6~20± 0.2
 >20± 0.3

DCI DRAGON CITY INDUSTRIES LIMITED			Design	K.W Law	Remark	Scale
			Drawing	W.K Yeung	Remark	Material
Item Name	Car Plug with LED Indicator	Tolerance :	Check	K.L Wong	Remark	Drawing No. A20209-1530
Item No.	CP-711-EN	Unit : mm	Approval	K.W Chan	Remark	Sheet