

Transmittal, reproduction, dissemination and/or editing of this document as well as utilization of its contents and communication thereof to others without express authorization are prohibited.  
未经允许禁止传输、复制、编辑该文档，以及利用其内容进行交流

REVISION RECORD

| REV | CN | DESCRIPTION | DRFT | DATE |
|-----|----|-------------|------|------|
|     |    |             |      |      |

General information:

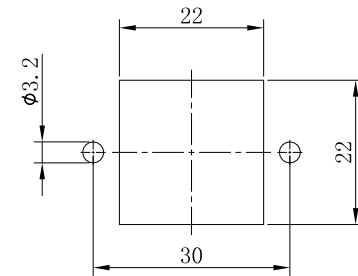
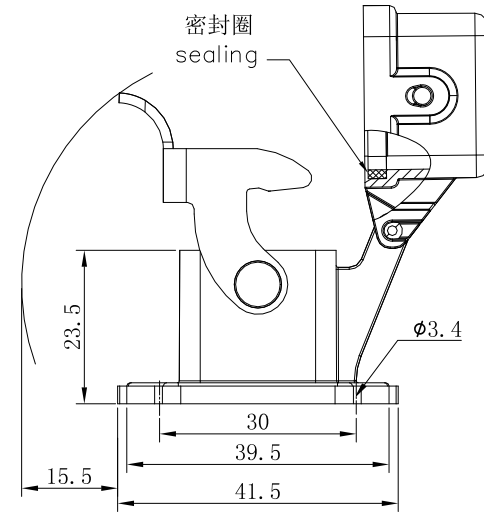
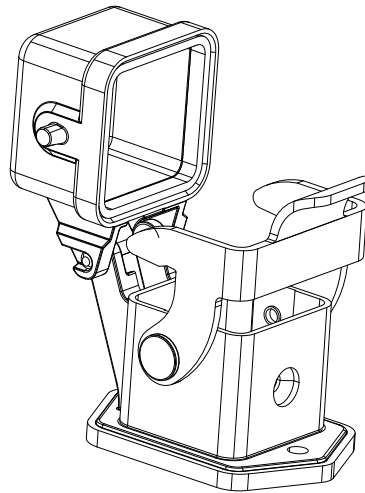
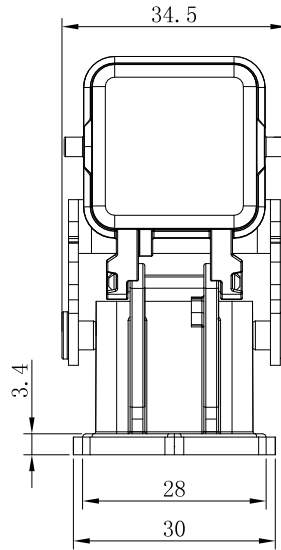
- Material: zinc die-cast
- Colour: Grey
- Surface: powder-coated
- Operating temperature: -40°C~+125°C
- Degree of protection acc.to DIN EN60529 for coupled connector: IP65
- Outgoing direction: Bottom outlet
- Locking element  
Lever type: single locking latch  
Material: stainless steel
- Hoods&Housings seal: NBR
- Undimensioned Tolerances:

| Pitch Range In mm |               | Nominal Dimension Range In mm |               | D       |
|-------------------|---------------|-------------------------------|---------------|---------|
| Over 6 TO 6       | Over 10 TO 10 | Over 30 TO 30                 | Over 60 TO 60 |         |
| ±0.15             | ±0.20         | ±0.30                         | ±0.50         | ±0.1/10 |
|                   |               | ±0.70                         | ±1.00         | ±2°     |

HOW TO ORDER:

S3A-BM-1L.M

- Locking lever — 1L: 1 levers(plastic) 2B: 2 bolts  
2L: 2 levers(plastic) 4B: 4 bolts  
1L.M: 1 levers(Metal)  
2L.M: 2 levers(Metal)
- Housing type — SE: Side entry  
SEH: Side entry-high construction  
TE: Top entry  
TEH: Top entry-high construction  
BM: Bulkhead mounted  
SM: Sueface mounted  
SMH: Sueface mounted-high construction  
CC: Cable to cable  
CCH: Cable to cable high construction
- Serieis — S3A: 3A Compact type S6B: 6B Standard type  
S10A: 10A Compact type S10B: 10B Standard type  
S16A: 16A Compact type S16B: 16B Standard type  
S32A: 32A Compact type S24B: S24B Standard type  
S32B: S32B Standard type  
S48B: S48B Standard type



Panel cut out for use without Hoods/housings

借通用件登记  
Common Part

原图号  
Old Draw. No.

底图总号  
Assembly No.

|                  |                  |            |                   |                         |  |               |             |
|------------------|------------------|------------|-------------------|-------------------------|--|---------------|-------------|
| 订货号<br>Order No. | S3A-BM-1L.M-MC/F |            | 名称<br>Name        | S3A开孔安装金属单扣底座-金属盖子(配母芯) | 未注公差<br>Tolerance                              | 表面<br>Surface |             |
| 项目<br>Item       | 签字<br>Signature  | 日期<br>Date | 图号<br>Drawing No. | /                       | Tolerances Table                               |               | VDI21       |
| 设计<br>Design     | CHH              | 2024.07.08 | 材料<br>Material    | /                       | 版本号<br>Revision Number                         | 重量<br>Weight  | 比例<br>Scale |
| 审核<br>Check      | CHH              | 2024.07.08 | 物料号<br>Item No.   | /                       | MO   | /             | 1:1         |
| 工艺<br>Process    | -                | -          |                   | /                       | 第1页/共1页 1 of 1                                 | mm            |             |
| 标准化<br>Unify     | -                | -          |                   | ...                     | 宁波盛普电子有限公司<br>NINGBO SUPU ELECTRONICS CO.,LTD. |               |             |
| 批准<br>Approve    | XJ               | 2024.07.08 |                   | /                       |  |               |             |

1

2

3

4

5

6

7

8

A

B

C

D

E

F