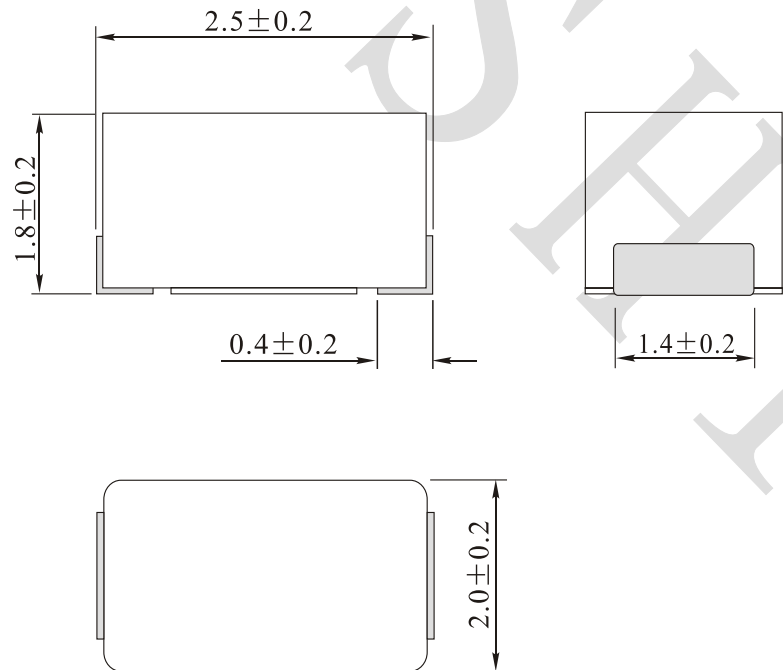
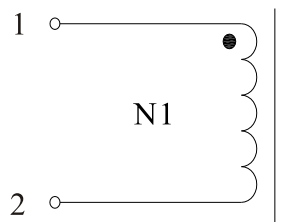


Rev.	Description	Date
A0	New release	2022.12.05

1. PHYSICAL CHARACTERISTICS (mm)



2. ELECTRONICAL SCHEMATIC



3. ELECTRONICAL SPECIFICATIONS

L: 100uH ± 5% @ 0.796MHz, 0.2V

DCR: 21 Ω Max

Q: 15 Min @ 0.796MHz

SRF: 12MHz Min

IDC: 60mA (Inductance drop 15% Max)

Operating temperature: -40°C to +125°C (Including temp. rise)

Storage temperature: -40°C to +105°C

Test Instrument:

L: HP4284A

RDC: HM2540

Note:

1. Solderability: leads shall meet MIL-STD-202, Method 208D for solderability.
2. Flammability: UL94V-0
3. ASTM oxygen index: >28%

NAME:	Surface mount wound molded chip inductors		
CUSTOMER P/N:	NLV25T-101J-EF	DATE:	2022-12-05
SHINHOM P/N:	AISM1008-101J-0.06A	REV: A0	PAGE
DRAWN BY	CHECKED BY	APPROVE BY	



SHINHOM
SHAANXISHINHOM ENTERPRISE CO LTD

The Document property belong to SHINHOM & is not allowed to be duplicated without authorization