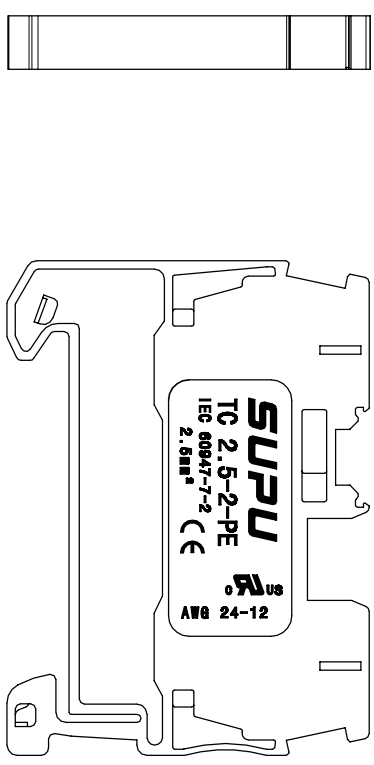
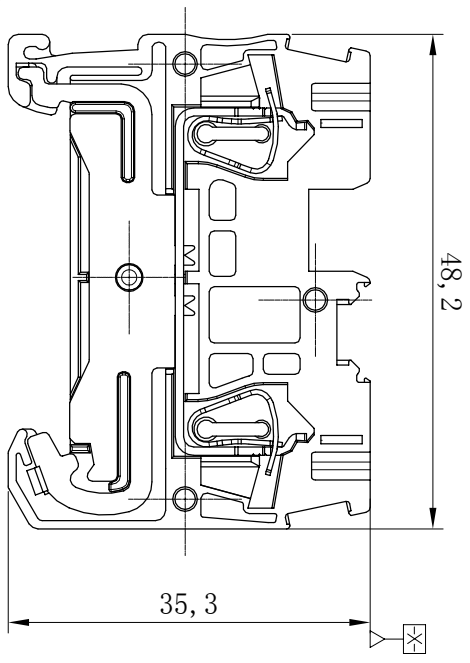
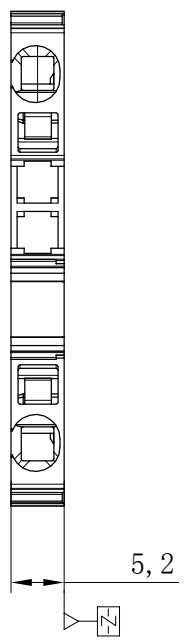


REVISION RECORD			
REV	ECN	DESCRIPTION	DATE



Connection method:
 1. For Solid wire, peeling wire in right length, push down spring to clapthe wire.
 2. For stranded wire, connect directly after peeling in right length, or wire furred and fix in by pushingthe spring.

NOTES:
 UL/CUL Standard
 1. Conductor cross section : 24~12AWG
 2. Rated Voltage/Current :

Use group	B	C	D
Rated voltage(V)	600	600	

IEC Standard
 1. Conductor cross section :

Wire range(Solid/Stranded)	0.2-2.5mm ²
Solid	0.2-4mm ²
Stranded	0.2-2.5mm ²
Stranded with ferrules without plastic sleeve	0.2-2.5mm ²
Stranded with ferrules with plastic sleeve	0.2-2.5mm ²

2. Rated Voltage/Current :

Surge voltage category	III
Pollution degree	3
Rated surge voltage(KV)	8
Rated voltage(V)	800

Material:

Insulator	PA66	UL94 V-0
Conductor	Copper alloy	Sn plated
Spring	Stainless steel	
Ground Pin	Copper alloy	Sn plated

General information:

1. Dimension shall be interpreted per ASME Y14.5-2009
2. Stripping length : 10mm
3. Operating temperature: -40°C~+105°C
4. RoHS Compliance
5. Undimensioned Tolerances:

Pitch Range		Nominal Dimension		Range	
mm	In mm	mm	In mm	mm	In mm
Over 6	Over 10	Over 30	Over 60	Over 100	Over 150
To 6	To 10	To 24	To 30	To 60	To 100
±0.15	±0.20	±0.30	±0.50	±0.70	±1.00
±0.30	±0.50	±0.70	±1.00	±1.30	±2.00

HOW TO ORDER:

TC2.5-2-PE

Series No. Color: PE: Yellow and Green

订货号 Order No.	TC2.5-2-PE	名称 Name	TC系列笼式弹簧 2.5mm ² 一进一出 接地端子	未注公差 Tolerance	表面 Surface
项目 Item	签字 Signature	图号 Drawing No.	PRM000938	公差表 Tolerances Table	VDI21
设计 Design	DFZ	材料 Material	Notes	版本号 Revision Number	重量 Weight
审核 Check	CW	工艺 Process	-	M2	比例 Scale
工艺 Check	-	标准化 Unity	-	第1页/共1页 1 of 1	1:1
批准 Approve	LWL	物料号 Item No.	411501104	NINGBO SUPU ELECTRONICS CO.,LTD.	
	01/06/20"				