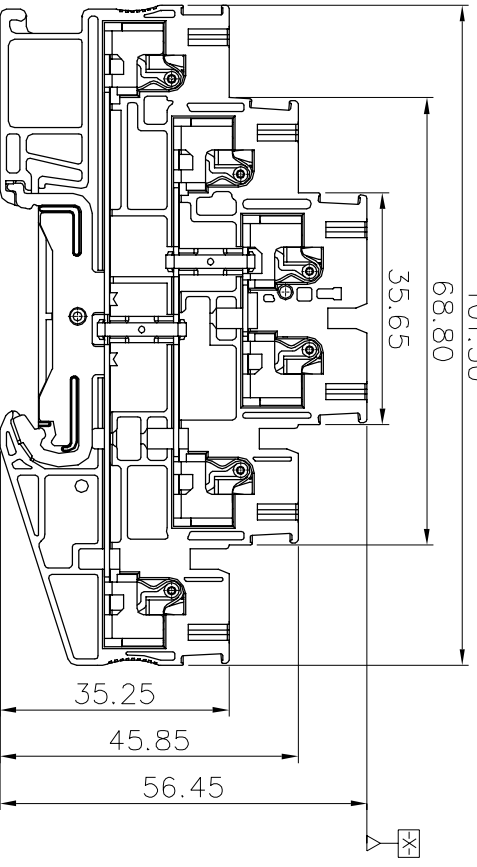
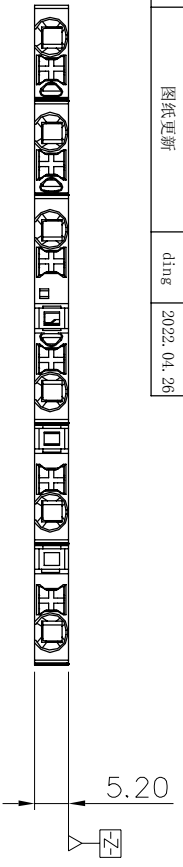
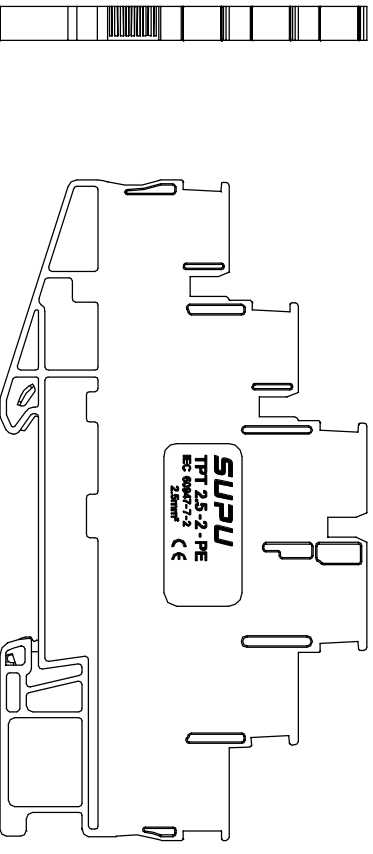


| REVISION RECORD | | | | |
|-----------------|------------|-------------|-------|------------|
| REV | ECN | DESCRIPTION | DRAFT | DATE |
| 1 | DCN0006264 | 图纸更新 | 陈杰松 | 2020/01/11 |
| 2 | DCN0013306 | 图纸更新 | ding | 2022.03.05 |
| 3 | | 图纸更新 | ding | 2022.04.26 |



Connection method:
 1. For Solid wire, peeling wire in right length, push down spring to clasp the wire.
 2. For stranded wire, connect directly after peeling in right length, or wire furrled and fix in by pushing the spring.



Transmittal, reproduction, dissemination and/or editing of this document as well as utilization of its contents and communication thereof to others without express authorization are prohibited.

未经允许禁止传输、复制、编辑该文档，以及利用其内容进行交流

- NOTES:
 UL/CUL Standard
 1. Conductor cross section : 26~12AWG
 2. Rated Voltage/Current :
- | | | | |
|------------------|-----|-----|---|
| Use group | B | C | D |
| Rated voltage(V) | 600 | 600 | |

IEC Standard
 1. Conductor cross section :

| | |
|---|------------------------|
| Wire range(Solid/Stranded) | 0.2-2.5mm ² |
| Solid | 0.2-4mm ² |
| Stranded | 0.2-2.5mm ² |
| Stranded with ferrules | 0.2-2.5mm ² |
| Stranded with ferrules without plastic sleeve | 0.2-2.5mm ² |
| Stranded with ferrules with plastic sleeve | 0.2-2.5mm ² |

2. Rated Voltage/Current :

| | |
|-------------------------|-----|
| Surge voltage category | III |
| Pollution degree | 3 |
| Rated surge voltage(kV) | 6 |
| Rated voltage(V) | 500 |

Material:

| | | |
|-----------------|-----------------|-----------|
| Insulator | PA66 | UL94 V-0 |
| Conductor | Copper alloy | Sn plated |
| Spring | Stainless steel | |
| Ground Pin | Copper alloy | Sn plated |
| Conductor Piece | Copper alloy | Sn plated |

General information:

- Dimension shall be interpreted per ASME Y14.5-2009
- Stripping length : 10mm
- Operating temperature: -40°C~+105°C
- RoHS Compliance
- Undimensioned Tolerances:

| Pitch Range in mm | Nominal Dimension | Range in mm | Tolerance |
|---|-------------------|-------------|-----------|
| Over 6 | Over 30 | Over 60 | Over 100 |
| To 10 | To 40 | To 80 | To 150 |
| Over 10 | Over 24 | Over 30 | Over 60 |
| To 15 | To 30 | To 60 | To 150 |
| ±0.15/±0.20/±0.30/±0.50/±0.70/±1.00/±1.30 | | | |

HOW TO ORDER:

TPT2.5-2-PE

Serries No. Color: PE: Yellow and Green

| | | | | | |
|------------------|------------------------|-------------------|-----------------------------------|-------------------------|---------------|
| 订货号 Order No. | TP12.5-2-PE | 名称 Name | TP系列直插式 2.5mm ² 三层接地端子 | 未注公差 Tolerance | 表面 Surface |
| 项目 Item | 签字 Signature | 图号 Drawing No. | PRM001476 | 公差表 Tolerances Table | VDI21 |
| 设计 Design | 日期 Date | 材料 Material | Notes | 版本号 Revision Number | 重量 Weight |
| 审核 Check | 01/11/20 ²⁰ | | | M3 | 比例 Scale |
| 工艺 Process | - | 物料号 Item No. | | | 1:1 |
| 标准化 Unity | - | | | | |
| 批准 Approve | 1w1 | | | | |
| | 01/11/20 ²⁰ | | | | |

NINGBO SUPU ELECTRONICS CO.,LTD.