

PA換氣堵頭

PA Ventilation Plug



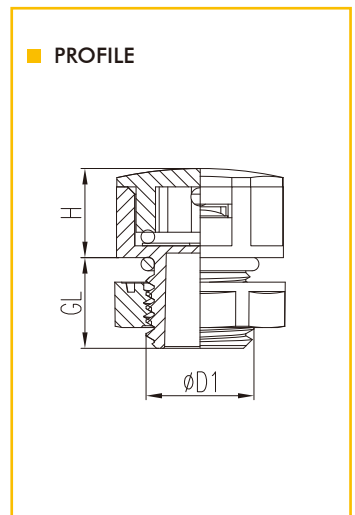
→ M



材料:	PA	Material:	PA
O型圈:	耐候橡膠、硅膠	O-Ring:	EPDM、Silicone
工作溫度:	-40°C至100°C	Working temperature:	-40°C to 100°C
防水等級:	IP67/IP68	IP rating:	IP67/68
防腐等級:	PH:1-14	Anti-corrosion:	PH:1-14
阻燃等級:	UL 94 V2 (V0可定制)	Flame Retardancy:	UL 94 V2 (V0 upon request)
應用領域:	電子電器、通訊設備、戶外燈具等領域	Application:	Electronic appliances, communication apparatus, outdoor lighting, etc.
顏色種類:	灰色/黑色, 其他顏色可定	Color:	Grey/Black, other colors customized

Thread ØD1	H mm	GL mm	SW mm	Beisit No. RAL7035 ●	Article No. RAL7035	Beisit No. RAL9005 ●	Article No. RAL9005
M6X0.8	8	6.5	12	M6-VP	1.285.0601.4030	M6-VPB	1.285.0603.4030
M8X1.0	10	8	17	M8-VP	1.285.0801.4030	M8-VPB	1.285.0803.4030
M10X1.0	10	8	17	M10-VP	1.285.1001.4030	M10-VPB	1.285.1003.4030
M12X1.5	10	10	17	M12-VP	1.285.1201.4030	M12-VPB	1.285.1203.4030

可為客戶特殊定制 Special Customization is available.



鋁質換氣堵頭

Aluminum Ventilation Plug

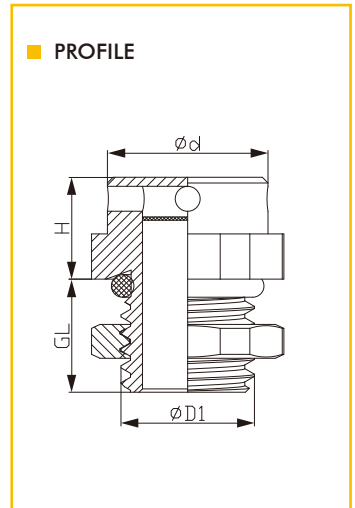
→ M



材料:	鋁	Material:	Aluminum
O型圈:	丁腈橡膠	O-Ring:	NBR
工作溫度:	-40°C至125°C	Working temperature:	-40°C to 125°C
防水等級:	IP67/68	IP rating:	IP67/68
防腐性:	PH:1-14	Anti-corrosion:	PH:1-14
阻燃等級:	UL 94 V0	Flame Retardancy:	UL 94 V0
應用領域:	太陽能光伏、電子電器、通信設備、戶外燈具等領域	Application:	Solar photovoltaic industry, electronic appliances, communication apparatus, outdoor lighting, etc.
顏色種類:	白色/黑色	Color:	White/Black

Thread ØD1	H mm	GL mm	d mm	SW mm	Beisit No. RAL7035 ●	Article No. RAL7035	Beisit No. RAL9005 ●	Article No. RAL9005
M5X0.8	6	4	7.5	8	M5-VPAL	1.485.0504.4030	M5-VPALB	1.485.0503.4030
M6X1.0	6	4	7.5	8	M6-VPAL	1.485.0604.4030	M6-VPALB	1.485.0603.4030
M8X1.25	9	10	14.2	16	M8-VPAL	1.485.0804.4030	M8-VPALB	1.485.0803.4030
M12X1.5	9	10	14.2	16	M12-VPAL	1.485.1204.4030	M12-VPALB	1.485.1203.4030
M20X1.5	12.5	12.5	26	27	M20-VPAL	1.485.2004.4030	M20-VPALB	1.485.2003.4030

可為客戶特殊定制 Special Customization is available.



M
PG
NPT
G(PF)
MG
Multiple - Entry
EMC
Ventilation Plug
Wiring Accessories
Waterproof Enclosure
Flexible Pipe Fitting
Flexible Pipe