

# ALUMINUM ELECTROLYTIC CAPACITOR

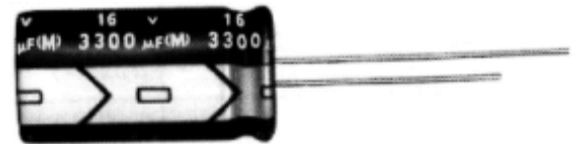
Suntan®

105°C, FOR ELECTRONIC BALLAST, POWER SUPPLY, LONG LIFE

# TS13D CD264

## FEATURES

- Polarized aluminum electrolytic capacitors, non-solid
- Pressure relief
- Long useful life: 3000 hours at 105°C, equal to 96000 hours (11 years) at 55°C
- High-reliability and professional applications
- Lighting, monitors, general industrial
- Filtering of high voltages in power supplies

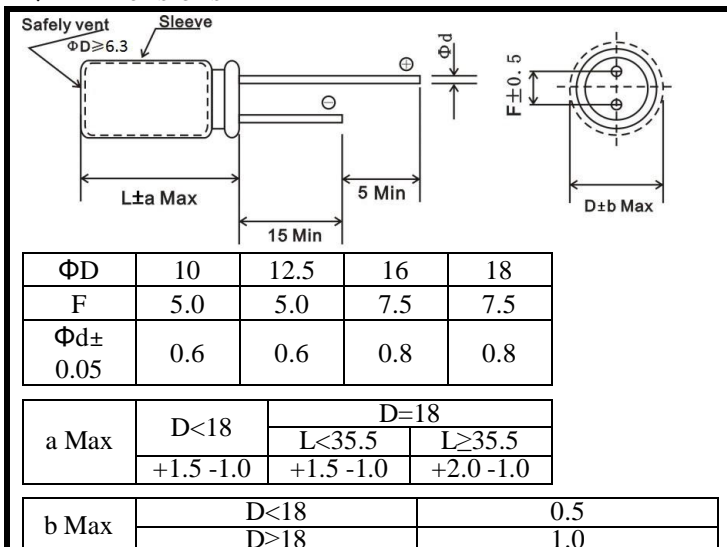


## ◆ Specifications

I T E M S		P E R F O R M A N C E C H A R A C T E R I S T I C S					
Operating Temperature Range(°C)		-40~+105			-25~+105		
Rated Voltage Range (V)		160~250			350~450		
Capacitance Tolerance (25°C, 100Hz)		±20%					
Leakage Current(μA)		After 1 minute at 25°C CV≤ 1000: I <sub>L</sub> ≤0.06CV+40 CV>1000: I <sub>L</sub> ≤0.03CV+70 C: Nominal Capacitance (μF); V: Rated Voltage (V)					
Dissipation Factor (25°C, 100Hz)	WV(v)	160	200	250	350	400	450
	Tan δ	0.12	0.12	0.12	0.15	0.15	0.20
Temperature Stability (100Hz)	WV(v)	160	200	250	350	400	450
	Z-40°C/+20°C	4	4	4	6	6	6
Load Life (+105°C)	Time	3000 hours.					
	Leakage current	Not more than the specified value.					
	Capacitance Change	Within±20% of initial value.					
	Dissipation Factor	Not more than 300% of the specified value.					
Shelf Life (+105°C)	Time	1000 hours.					
	Leakage Current	Not more than 300% the specified value.					
	Capacitance Change	Within±20% of initial value.					
	Dissipation Factor	Not more than 200% of the specified value.					

\* After Test: U<sub>R</sub> to be applied for 30 minutes, 24 to 48 hours before measurement.

## ◆ Dimensions



## ◆ Multiplier for ripple current

### Frequency coefficient

Frequency (Hz)	50,60	100	300	1K	≥10K
Factor	0.75	1.0	1.20	1.35	1.50

### Temperature coefficient

Temperature	+70	+85	+105
Factor	1.8	1.4	1.0

# ALUMINUM ELECTROLYTIC CAPACITOR

Suntan®

105°C, FOR ELECTRONIC BALLAST, POWER SUPPLY, LONG LIFE

# TS13D CD264

## ◆ STANDARD RATINGS

Unless otherwise specified, all electrical values in table 1 apply at  $T_{amb} + 25^{\circ}\text{C}$ ,

SYMBOL	DESCRIPTION
Cap	Rated capacitance at 100Hz, tolerance $\pm 20\%$
$I_R$	Rated RMS ripple current at 100Hz, 105°C
ESR	Equivalent series resistance at 100Hz (calculated from $\tan \delta_{max}$ and $C_R$ )
$ Z $	Max. impedance at 10KHz

## ◆ Table 1

WV (V) / Cap(μF)	160				200				250			
	Case	$ Z $	ESR	$I_R$	Case	$ Z $	ESR	$I_R$	Case	$ Z $	ESR	$I_R$
	□DxL (mm)	Ω	Ω	mA	□DxL (mm)	Ω	Ω	mA	□DxL (mm)	Ω	Ω	mA
4.7	--	--	--	--	10x12.5	13.0	41	60	10x12.5	13.0	41	60
10	10x16	6.3	19	95	10x16	6.3	19	95	10x20	6.3	19	105
22	10x20	3.2	9	145	10x20	3.2	9	145	12.5x25 16x20	3.2	9	180
33	12.5x20	2.3	6	190	12.5x20	2.3	6	190	12.5x25 16x20	2.3	6	250
47	12.5x25 16x20	1.7	4	280	12.5x25 16x20	1.7	4	280	16x25 18x20	1.7	4	300
100	10x25 18x20	1.1	2	380	16x31.5 18x25	1.1	2	410	16x31.5 18x25	1.1	2	410
220	18x35.5	0.8	0.9	630	--	--	--	--	--	--	--	--

# ALUMINUM ELECTROLYTIC CAPACITOR

**Suntan®**

105°C, FOR ELECTRONIC BALLAST, POWER SUPPLY, LONG LIFE

# TS13D CD264

◆ Table 2

WV (V) / Cap(μF)	350				400				450			
	Case	Z	ESR	I <sub>R</sub>	Case	Z	ESR	I <sub>R</sub>	Case	Z	ESR	I <sub>R</sub>
	□DxL (mm)	Ω	Ω	mA	□DxL (mm)	Ω	Ω	mA	□DxL (mm)	Ω	Ω	mA
1.0									10x12.5	94	318	30
2.2					10x12.5	33	109	40	10x16	43	145	45
3.3	10x12.5	22	72	50	10x16	22	72	50	10x20	29	96	65
4.7	10x16	16	51	65	10x20	16	51	70	12.5x20	20	68	80
10	12.5x20	7.6	24	120	12.5x20	7.6	24	120	16x20	10	32	140
22	12.5x25	3.8	11	180	16x25	3.8	11	200	16x31.5	4.6	14	220
	16x20				18x25							
33	16x25	2.6	7	210	16x31.5	2.6	7	245	18x35.5	3.4	10	280
					18x25							
47	16x35.5	2.0	5	300	18x31.5	2.0	5	300				
	18x31.5											

# ALUMINUM ELECTROLYTIC CAPACITOR

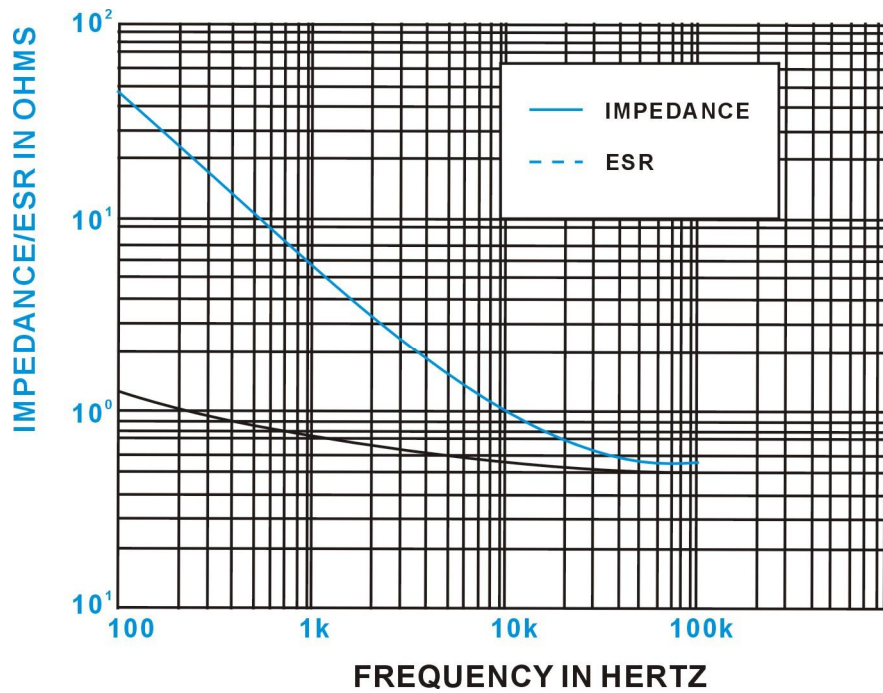
Suntan®

105°C, FOR ELECTRONIC BALLAST, POWER SUPPLY, LONG LIFE

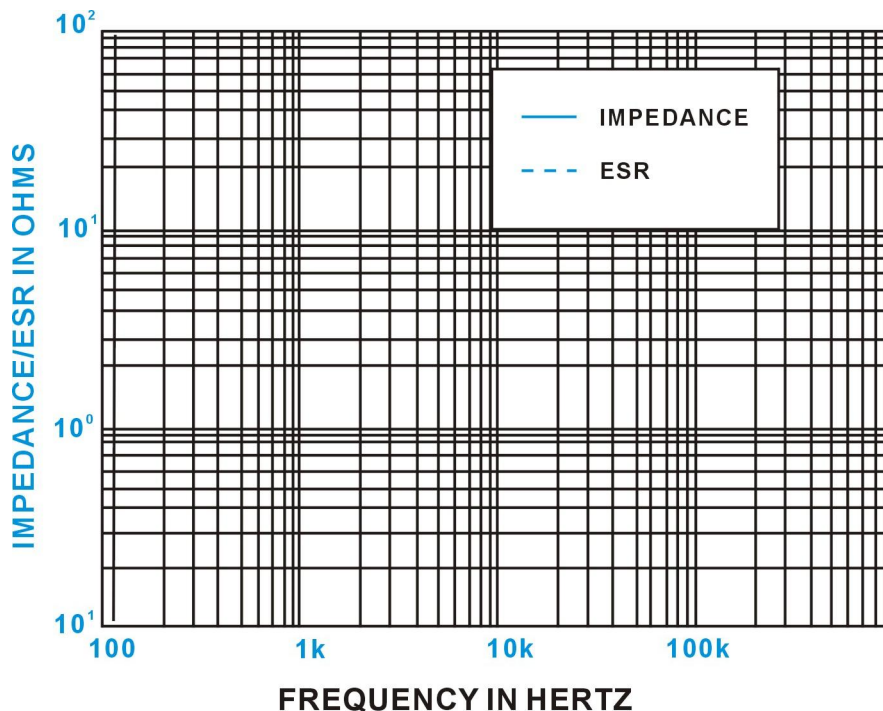
# TS13D CD264

## ◆ TYPICAL CURVES

CD264 450V33 18x35.5



CD264 200V47 12.5x25



Note: Specification are subject to change without notice. For more detail and update, please visit our website.