

Transmittal, reproduction, dissemination and/or editing of this document as well as utilization of its contents and communication thereof to others without express authorization are prohibited.
未经允许禁止传输、复制、编辑该文档，以及利用其内容进行交流

REVISION RECORD				
REV	CN	DESCRIPTION	DRFT	DATE

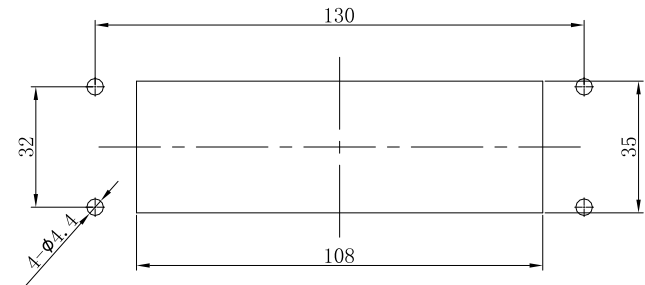
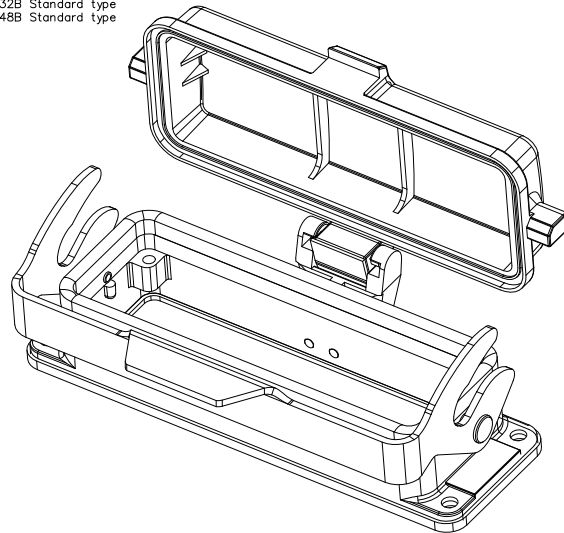
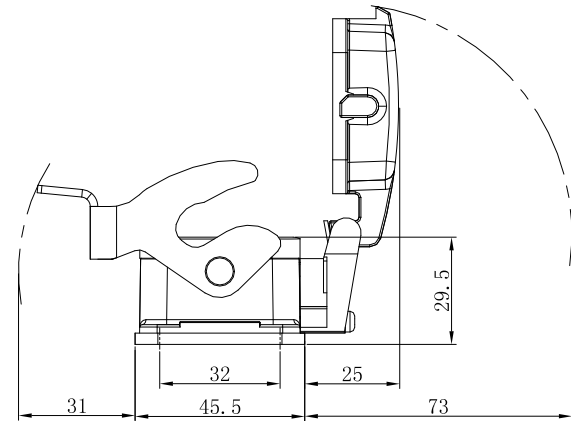
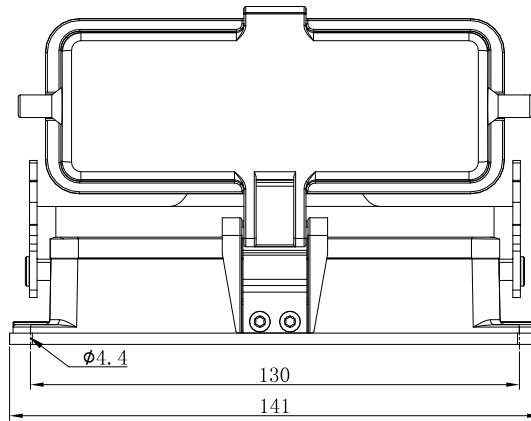
General information:
 1.Material: Aluminium die-cast
 2.Materia. cover:PC
 3.Colour: Grey
 4.Surface: Powder-coated
 5.Operating temperature: -40°C~+125°C
 6.Degree of protection acc.to DIN EN60529 for coupled connector: IP65
 7.Outgoing direction: Bottom entry
 8.Locking element:
 Locking type: Single locking latch
 Material: Metal galvanized/nickel plating
 9.Hoods&Housings seal: NBR
 10.Undimensioned Tolerances:

Pitch Range In mm	Nominal Dimension Range In mm		T	Z					
	Over	Over							
TO	6	15	30	60	100	160	0.1/0		
	6	10	24	30	60	100	150	—	
	±0.15	±0.20	±0.30	±0.30	±0.50	±0.70	±1.00	±1.30	±2°

HOW TO ORDER:

S24B-BM-1L.M

- Locking lever — 1L: 1 levers(plastic) 2B: 2 bolts
 2L: 2 levers(plastic) 4B: 4 bolts
 1L.M: 1 levers(Metal)
 2L.M: 2 levers(Metal)
- Housing type — SE: Side entry
 SEH: Side entry-high construction
 TE: Top entry
 TEH: Top entry-high construction
 BM: Bulkhead mounted
 SM: Surface mounted
 SMH: Surface mounted-high construction
 CS: Cable to cable
 CCH: Cable to cable high construction
- Series — S3A: 3A Compact type S6B: 6B Standard type
 S10A: 10A Compact type S10B: 10B Standard type
 S16A: 16A Compact type S16B: 16B Standard type
 S32A: 32A Compact type S24B: S24B Standard type
 S32B: S32B Standard type
 S48B: S48B Standard type



Panel cut out for use without Hoods/housings

借通用件登记
Common Part

原图号
Old Draw. No.

底图总号
Assembly No.

订货号 Order No.	S24B-BM-1L. M-PC		名称 Name	S24B开孔安装金属 单扣底座-塑料盖子	未注公差 Tolerance	表面 Surface	
项目 Item	签字 Signature	日期 Date	图号 Drawing No.	/	Tolerances Table		VDI21
设计 Design	CHH	2024.07.18	材料 Material	/	版本号 Revision Number	重量 Weight	比例 Scale
审核 Check	CHH	2024.07.18	物料号 Item No.	/	MO	/	1:1
工艺 Process	-	-	物料号 Item No.	/	第1页/共1页 1 of 1	mm	
标准化 Unify	-	-		...	SUPU 宁波盛普电子有限公司		
批准 Approve	XJ	2024.07.18		/	NINGBO SUPU ELECTRONICS CO.,LTD.		