

Transmittal, reproduction, dissemination and/or editing of this document as well as utilization of its contents and communication thereof to others without express authorization are prohibited.  
 未经允许禁止传输、复制、编辑该文档，以及利用其内容进行交流

REVISION RECORD				
REV	CN	DESCRIPTION	DRFT	DATE

General information:

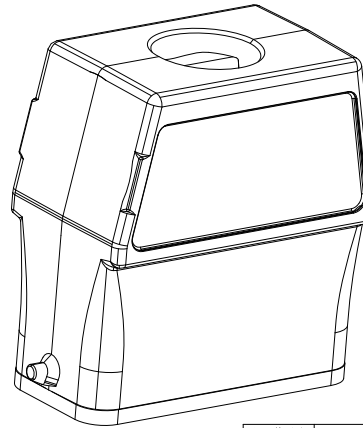
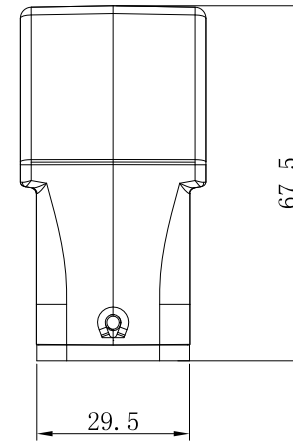
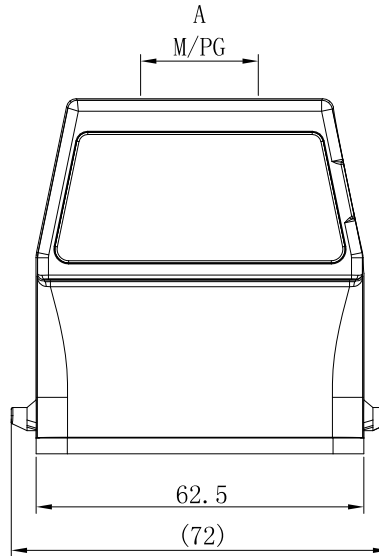
- 1.Material: Aluminium die-cast
- 2.Colour: Grey
- 3.Surface: Powder-coated
- 4.Operating temperature: -40°C~+125°C
- 5.Degree of protection acc.to DIN EN60529 for coupled connector: IP65
- 6.Outgoing direction: Top entry
- 7.Thread specifications: M/PG
- 8.Hoods&Housings seal: NBR
- 9.Undimensioned Tolerances:

Pitch Range In mm		Nominal Dimension Range In mm						±	∅
TO	Over	TO	Over	TO	Over	TO	Over	0.1/10	
6	10	10	24	30	60	60	100	150	
±0.15	±0.20	±0.30	±0.30	±0.50	±0.70	±1.00	±1.30	±2°	

HOW TO ORDER:

S10A-BM-1L.M

- Locking lever — 1L: 1 levers(plastic) 2B: 2 bolts  
 2L: 2 levers(plastic) 4B: 4 bolts  
 1L.M: 1 levers(Metal)  
 2L.M: 2 levers(Metal)
- Housing type — SE: Side entry  
 SEH: Side entry-high construction  
 TE: Top entry  
 TEH: Top entry-high construction  
 BM: Bulkhead mounted  
 SM: Sueface mounted  
 SMH: Sueface mounted-high construction  
 CC: Cable to cable  
 CCH: Cable to cable high construction
- Sereies — S3A: 3A Compact type S6B: 6B Standard type  
 S10A: 10A Compact type S10B: 10B Standard type  
 S16A: 16A Compact type S16B: 16B Standard type  
 S32A: 32A Compact type S24B: S24B Standard type  
 S32B: S32B Standard type  
 S48B: S48B Standard type



Order number	A
S10A-TEH-2B-M25	M25×1.5
S10A-TEH-2B-PG16	PG16
S10A-TEH-2B-PG21	PG21

订货号 Order No.	S10A-TEH-2B-XXX		名称 Name	S10A顶出线 高结构双耳上壳	未注公差 Tolerance	表面 Surface	
项目 Item	签字 Signature	日期 Date			Tolerances Table		VDI21
设计 Design	CHH	2024.07.09	图号 Drawing No.	/	版本号 Revision Number	重量 Weight	比例 Scale
审核 Check	CHH	2024.07.09	材料 Material	/	MO	/	1:1
工艺 Process	-	-	物料号 Item No.	/	第1页/共1页 1 of 1	mm	
标准化 Unify	-	-		...	宁波盛普电子有限公司 NINGBO SUPU ELECTRONICS CO.,LTD.		
批准 Approve	XJ	2024.07.09		/			

借通用件登记 Common Part
原图号 Old Draw. No.
底图总号 Assembly No.