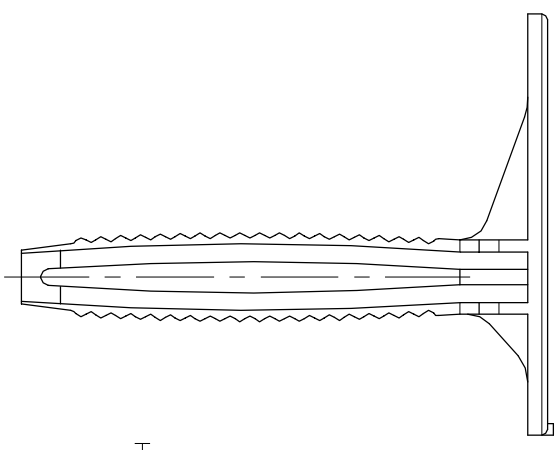
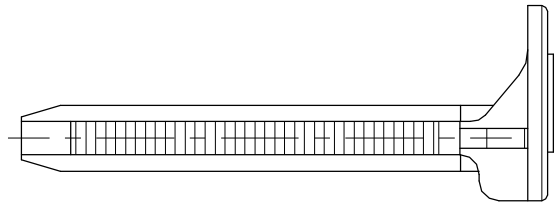
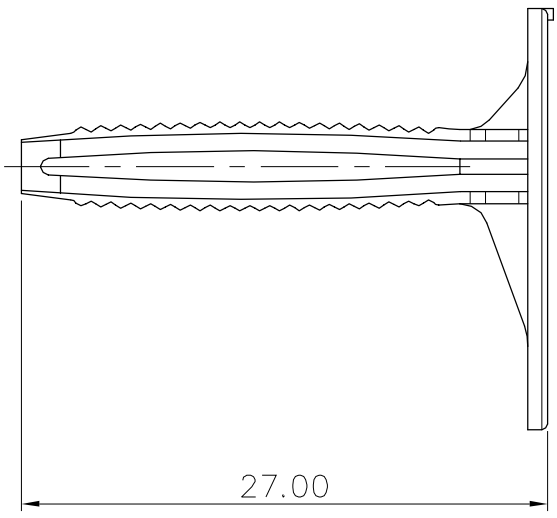
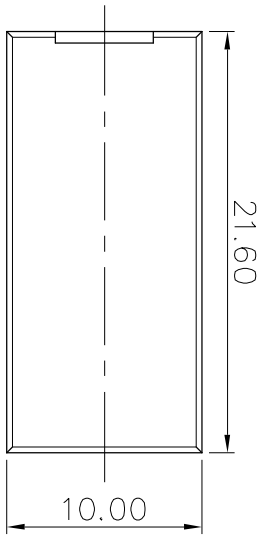


REVISION RECORD			
REV	ECN	DESCRIPTION	DATE

Transmittal, reproduction, dissemination and/or editing of this document as well as utilization of its contents and communication thereof to others without express authorization are prohibited.

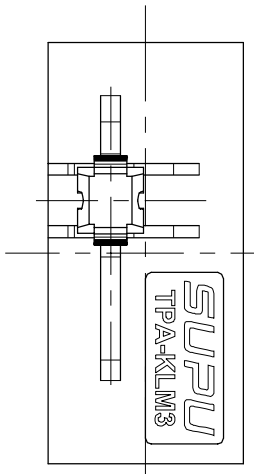
未经允许禁止传输、复制、编辑该文档，以及利用其内容进行交流



Pitch Range	In mm		Nominal Dimension Range		mm
	Over	TO	Over	TO	
6	10	30	60	100	0.1/10
10	24	30	60	100	∠
10	24	30	100	150	∠
±0.15	±0.20	±0.30	±0.30	±0.50	±1.00
±1.00	±1.30	±2*	±1.00	±1.30	±2*

Material: Insulator PA66 UL94 V-0
 General information:
 1.Dimension shall be interpreted per ASME Y14.5-2009
 2.Operating temperature: -40°C~+105°C
 3.RoHS Compliance
 4.Undimensioned Tolerances:

HOW TO ORDER:
 TPA2.5-NF
 Sereses No.
 Color: GY: Grey



订货号 Order No.	TPA-KLM3	名称 Name	TPA分组标识支架	未注公差 Tolerance	表面 Surface
项目 Item	签字 Signature	图号 Drawing No.	PRM()	公差表 Tolerances Table	VDI21
设计 Design	日期 Date	材料 Material	Notes	版本号 Revision Number	重量 Weight
审核 Check	04/27/20"			M0	比例 Scale
工艺 Process	-	物料号 Item No.	411526007	第1页/共1页 1 of 1	1:1
标准化 Unify	-				mm
批准 Approve	1w1				
	04/27/20"				

SUPU 宁波波普电子有限公司
 NINGBO SUPU ELECTRONICS CO.,LTD.

1 2 3 4 5 6 7 8