

Data sheet

Commercial Art.No.: 46.051.5053.6

Device connector RST16i5 S B1 M03 A TB

RST16i5 device connector M20,2, 5 pole, female, screw connection, application 250V with PE, 16A, coding color turquoise blue



Commercial Art.No.	46.051.5053.6
EAN	4049088255847
Order Unit	1

Certificates / Approvals



LR

RINA



Technical data

General

Rated current	16 A
Rated voltage	250 V
Pollution degree	3
Rated impulse voltage	4 kV
Lockable	self-locking (unlocking by hand)
Color of coding/ contact carrier	turquoise blue
Marking of poles	L, N, PE, 1, 2

Connection Data

Connection cross section solid mm ² max.	2.5 mm ²
Connection cross section solid mm ² min.	0.25 mm ²
Connection cross section fine stranded mm ² max.	2.5 mm ²
Connection cross section fine stranded mm ² min.	0.25 mm ²
Terminations per pole	1
Wire strip length	8 mm
Connection cross section stranded mm ² min.	0.25 mm ²
Connection cross section stranded mm ² max.	2.5 mm ²

Model

Model	female
Connection type	screw connection
Connecting thread metric	M20,2
Angle of plug	straight

Degree of protection (IP)	IP66/68 (3m;2h) /IP69
Thickness of housings (electrical device) 2	0.5 mm
Thickness of housings (electrical device)	5 mm

Material

Housing material	Polyamide
halogen free	yes
Contact material	CuZn
Fire load	0.081 kWh
Insulation components continuous temperature	100 °C
Surface finish	Silver-plated

Dimensions

Length	41.6 mm
Width	24 mm
Height	24 mm

Classification

ECLASS 11	
ECLASS 8.1	27440602
ETIM 7.0	EC002566
ETIM 6.0	EC002566
ETIM 5.0	EC002566
ETIM 4.0	EC002566

Note

Note	RST® terminals with screw clamping allow the connection of conductors without special preparation (without ferrules) according to EN 60999-1.; Positioning realised with flattened thread
------	---

Product compliance

ROHS conformity status	Compliant/Exempted
ROHS exceptions	III-6(c)
REACH-SVHC conformity status	Duty-To-Declare
REACH-SVHC substances	Lead
REACH-SVHC CAS numbers	7439-92-1

Fits with

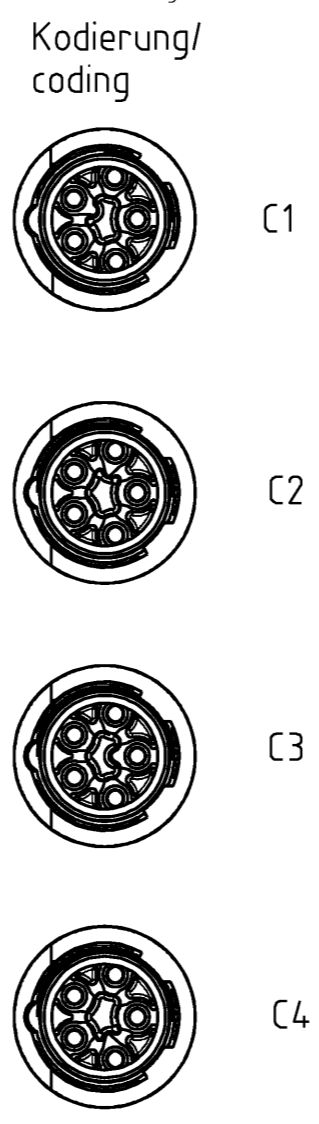
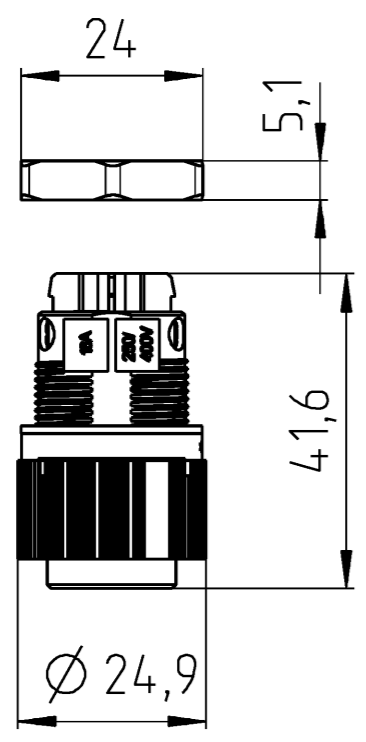
Commercial Art.No.:	Article-type description:	Description:
46.052.4553.6	Connector RST16I5 S S1 ZT6S A T	RST16i5 connector, 5 pole, male, screw connection, application 250V with PE, 16A, for cable diameters 7.1-13mm, coding color turquoise blue, color of housing black
46.052.4153.6	Connector RST16I5 S S1 ZT5S A TB	RST16i5 connector, 5 pole, male, screw connection, application 250V with PE, 16A, for cable diameters 10-14.5mm, coding color turquoise blue, color of housing black

A
Weitergabe sowie Vervielfältigung dieses Dokuments, Verwertung und Mitteilung seines Inhalts sind verboten, soweit nicht ausdrücklich gestattet. Die Reproduktion, Distribution und Utilization of this document as well as the communication of its contents to others without express authorization is prohibited.

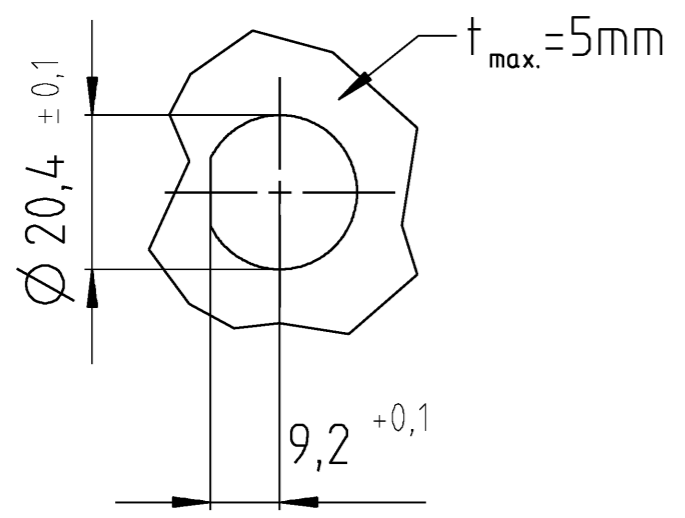
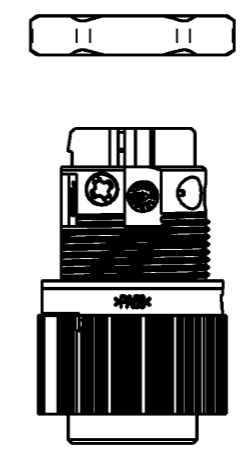
B
These dimensions will be especially checked at delivery
Only inspection dimensions
With /E marked dimensions are only valid for internal use

C
Diese Maße werden bei Abnahme besonders geprüft
Ausschließlich Prüfmaße
Mit /E gekennzeichnete Maße sind nur für interne Zwecke gültig

F



4
Auslieferungszustand
delivery condition



Gehäuseausschnitt/
section of housing

46.051.5053.9	RST16IS B1 M03 H BL	C4	lichtblau/light blue
46.051.5050.4	RST16IS B1 M03 L BR	C3	signalbraun/signal brown
46.051.5053.6	RST16IS B1 M03 A TB	C2	türkisblau/turquoise blue
46.051.5053.1	RST16IS B1 M03 SW	C1	schwarz/black
46.051.5053.0	RST16IS B1 M03 GL	C1	lichtgrau/light grey
Bestellnummer/ order number	Typ/type	Kodierung/ coding	Farbe/color

Weitere Daten siehe Katalog oder eKatalog.
Additional data see CATALOG or eCatalog. www.wieland-electric.com
eshop.wieland-electric.com

Tolerierung Size ISO 14405 (E) / Tolerance system Size ISO 14405 (E). (This ISO-standard describes the envelope principle. According to the envelope principle the deviations of form and parallelism are limited by the size tolerances).		ja/yes <input checked="" type="checkbox"/> Stoffverbots- und Deklarationsliste nach WN 5020.010 ist einzuhalten. Conformity with Wieland document WN 5020.010 e (list of prohibited / declarable hazardous substances) to be declared!	
Freitoleranz nach General tolerance	CAD - Zeichnung, keine manuellen Änderungen CAD - drawing, no manual modifications allowed	1. Verwendung: First Use:	Blatt: Sheet: 1 von 1 of 1
	Werkstoff / Material	Tag/Date	Name
		gezeichnet drawn	04.02.2014 Treschan
	Maßstab / Scale	geprüft checked	
	1:1	Normgepr. Stand. check	
	Vol. mm ³ / Ofl./Srf. mm ²	Ersatz für / Replacement for:	
a	10.04.2019 / Datum / Blatt Date / Sheet	Type	Benennung/Title
Index		wieland www.wieland-electric.com	RST16... BUCHSENTEIL Geräteanschluss, 5 polig female connector, device connection, 5 poles
Änderung / Revision			