

## MSP430F47x Mixed-Signal Microcontrollers

### 1 Device Overview

#### 1.1 Features

- Low supply-voltage range: 1.8 V to 3.6 V
- Ultra-low power consumption
  - Active mode: 262  $\mu$ A at 1 MHz, 2.2 V
  - Standby mode: 1.1  $\mu$ A
  - Off mode (RAM retention): 0.1  $\mu$ A
- Five power-saving modes
- Wakeup from standby mode in less than 6  $\mu$ s
- 16-bit RISC architecture, extended memory, 125-ns instruction cycle time
- 16-bit sigma-delta analog-to-digital converter (ADC) with internal reference and five differential analog inputs
- One 12-bit digital-to-analog converter (DAC)
- 16-bit Timer\_A with three capture/compare registers
- 16-bit Timer\_B with seven capture/compare-with-shadow registers
- Two universal serial communication interfaces (USCIs)
  - USCI\_A0
    - Enhanced UART supports automatic baud-rate detection
    - IrDA encoder and decoder
    - Synchronous SPI
  - USCI\_B0
    - I<sup>2</sup>C
    - Synchronous SPI
- Integrated LCD driver up to 160 segments with regulated charge pump
- Brownout detector
- Basic timer with real-time clock (RTC) feature
- Supply voltage supervisor and monitor with programmable level detection
- On-Chip Comparator
- Serial onboard programming, programmable code protection by security fuse
- Bootloader
- On chip emulation module
- [Device Comparison](#) summarizes the available family members
  - MSP430F477: 32KB + 256 bytes of flash, 2KB of RAM
  - MSP430F478: 48KB + 256 bytes of flash, 2KB of RAM
  - MSP430F479: 60KB + 256 bytes of flash, 2KB of RAM
- Available in 113-ball MicroStar Junior™ BGA (ZQW), 113-ball nFBGA (ZCA), and 80-pin QFP (PN) packages (see [Device Comparison](#))

#### 1.2 Applications

- Analog and digital sensor systems
- Digital motor control
- Remote controls
- Thermostats
- Digital timers
- Hand-held meters

#### 1.3 Description

The Texas Instruments MSP430™ family of ultra-low-power microcontrollers consists of several devices featuring different sets of peripherals targeted for various applications. The architecture, combined with five low-power modes, is optimized to achieve extended battery life in portable measurement applications. The device features a powerful 16-bit RISC CPU, 16-bit registers, and constant generators that contribute to maximum code efficiency. The digitally controlled oscillator (DCO) allows wake-up from low-power modes to active mode in less than 6  $\mu$ s.

The MSP430F47x is a microcontroller configuration with two 16-bit timers, a basic timer with a real-time clock, a high-performance 16-bit sigma-delta A/D converter, single 12-bit D/A converter, two universal serial communication interface, 48 I/O pins, and a liquid crystal display driver.

For complete module descriptions, see the [MSP430x4xx Family User's Guide](#).



Device Information<sup>(1)</sup>

| PART NUMBER                   | PACKAGE                     | BODY SIZE <sup>(2)</sup> |
|-------------------------------|-----------------------------|--------------------------|
| MSP430F479IPN                 | LQFP (80)                   | 12 mm x 12 mm            |
| MSP430F479IZCA                | nFBGA (113)                 | 7 mm x 7 mm              |
| MSP430F479IZQW <sup>(3)</sup> | MicroStar Junior™ BGA (113) | 7 mm x 7 mm              |

- (1) For the most current part, package, and ordering information for all available devices, see the *Package Option Addendum* in Section 8, or see the TI website at [www.ti.com](http://www.ti.com).
- (2) The sizes shown here are approximations. For the package dimensions with tolerances, see the *Mechanical Data* in Section 8.
- (3) All orderable part numbers in the ZQW (MicroStar Junior BGA) package have been changed to a status of Last Time Buy. Visit the [Product life cycle](#) page for details on this status.

1.4 Functional Block Diagram

Figure 1-1 shows the functional block diagram.

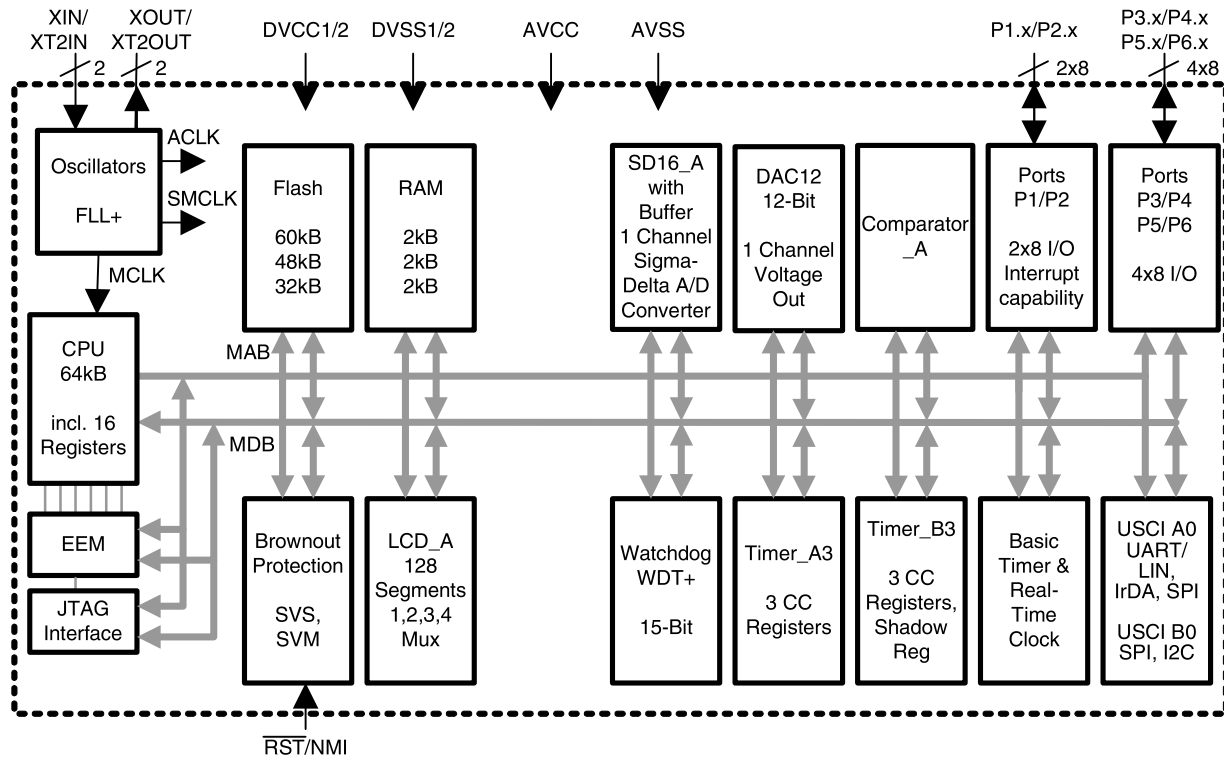


Figure 1-1. Functional Block Diagram

## Table of Contents

|          |   |                    |          |   |                    |
|----------|---|--------------------|----------|---|--------------------|
| <b>1</b> | <b>Device Overview</b>  | <b>1</b>           | 5.28     | SD16_A, Temperature Sensor and Built-in V <sub>CC</sub> Sense | <a href="#">32</a> |
| 1.1      | Features  | <a href="#">1</a>  | 5.29     | SD16_A, Built-In Voltage Reference                            | <a href="#">32</a> |
| 1.2      | Applications  | <a href="#">1</a>  | 5.30     | SD16_A, Reference Output Buffer                               | <a href="#">32</a> |
| 1.3      | Description   | <a href="#">1</a>  | 5.31     | SD16_A, External Reference Input                              | <a href="#">32</a> |
| 1.4      | Functional Block Diagram  | <a href="#">2</a>  | 5.32     | 12-Bit DAC, Supply Specifications                             | <a href="#">33</a> |
| <b>2</b> | <b>Revision History</b>   | <b>4</b>           | 5.33     | 12-Bit DAC, Linearity Specifications                          | <a href="#">34</a> |
| <b>3</b> | <b>Device Comparison</b>  | <b>5</b>           | 5.34     | 12-Bit DAC, Output Specifications                             | <a href="#">36</a> |
| 3.1      | Related Products  | <a href="#">5</a>  | 5.35     | 12-Bit DAC, Reference Input Specifications                    | <a href="#">36</a> |
| <b>4</b> | <b>Terminal Configuration and Functions</b>   | <b>6</b>           | 5.36     | 12-Bit DAC, Dynamic Specifications                            | <a href="#">37</a> |
| 4.1      | Pin Diagrams  | <a href="#">6</a>  | 5.37     | 12-Bit DAC, Dynamic Specifications Continued                  | <a href="#">38</a> |
| 4.2      | Signal Descriptions   | <a href="#">8</a>  | 5.38     | Timer_A   | <a href="#">38</a> |
| <b>5</b> | <b>Specifications</b>   | <b>12</b>          | 5.39     | Timer_B   | <a href="#">38</a> |
| 5.1      | Absolute Maximum Ratings  | <a href="#">12</a> | 5.40     | USCI (UART Mode)  | <a href="#">39</a> |
| 5.2      | ESD Ratings   | <a href="#">12</a> | 5.41     | USCI (SPI Master Mode)  | <a href="#">39</a> |
| 5.3      | Recommended Operating Conditions  | <a href="#">13</a> | 5.42     | USCI (SPI Slave Mode)   | <a href="#">39</a> |
| 5.4      | Supply Current Into AV <sub>CC</sub> and DV <sub>CC</sub> Excluding External Current                      | <a href="#">14</a> | 5.43     | USCI (I <sup>2</sup> C Mode)                                  | <a href="#">42</a> |
| 5.5      | Schmitt-Trigger Inputs – Ports P1 to P6, $\overline{\text{RST}}$ /NMI, JTAG (TCK, TMS, TDI/TCLK, TDO/TDI) | <a href="#">15</a> | 5.44     | Flash Memory  | <a href="#">43</a> |
| 5.6      | Inputs P <sub>x.y</sub> , TAx   | <a href="#">15</a> | 5.45     | JTAG Interface  | <a href="#">43</a> |
| 5.7      | Leakage Current – Ports P1 to P6  | <a href="#">15</a> | 5.46     | JTAG Fuse   | <a href="#">43</a> |
| 5.8      | Outputs – Ports P1 to P6  | <a href="#">16</a> | <b>6</b> | <b>Detailed Description</b>                                   | <b>44</b>          |
| 5.9      | Output Frequency  | <a href="#">16</a> | 6.1      | CPU   | <a href="#">44</a> |
| 5.10     | Typical Characteristics – Outputs   | <a href="#">17</a> | 6.2      | Instruction Set   | <a href="#">45</a> |
| 5.11     | Wake-up Timing From LPM3  | <a href="#">18</a> | 6.3      | Operating Modes   | <a href="#">46</a> |
| 5.12     | POR – Brownout Reset (BOR)  | <a href="#">18</a> | 6.4      | Interrupt Vector Addresses                                    | <a href="#">47</a> |
| 5.13     | SVS (Supply Voltage Supervisor and Monitor)   | <a href="#">20</a> | 6.5      | Special Function Registers (SFRs)                             | <a href="#">48</a> |
| 5.14     | DCO   | <a href="#">22</a> | 6.6      | Memory Organization   | <a href="#">50</a> |
| 5.15     | Crystal Oscillator, LFXT1, Low-Frequency Mode   | <a href="#">24</a> | 6.7      | Bootloader (BSL)  | <a href="#">50</a> |
| 5.16     | Crystal Oscillator, LFXT1, High-Frequency Mode  | <a href="#">25</a> | 6.8      | Flash Memory  | <a href="#">50</a> |
| 5.17     | Crystal Oscillator, XT2 Oscillator, High-Frequency Mode   | <a href="#">25</a> | 6.9      | Peripherals   | <a href="#">51</a> |
| 5.18     | RAM   | <a href="#">25</a> | 6.10     | Input/Output Schematics                                       | <a href="#">57</a> |
| 5.19     | LCD_A   | <a href="#">26</a> | <b>7</b> | <b>Device and Documentation Support</b>                       | <b>81</b>          |
| 5.20     | Comparator_A  | <a href="#">27</a> | 7.1      | Device Support  | <a href="#">81</a> |
| 5.21     | Typical Characteristics – Comparator_A  | <a href="#">28</a> | 7.2      | Documentation Support   | <a href="#">84</a> |
| 5.22     | SD16_A, Power Supply and Recommended Operating Conditions   | <a href="#">29</a> | 7.3      | Related Links   | <a href="#">84</a> |
| 5.23     | SD16_A, Input Range   | <a href="#">29</a> | 7.4      | Support Resources   | <a href="#">84</a> |
| 5.24     | SD16_A, Performance   | <a href="#">30</a> | 7.5      | Trademarks  | <a href="#">84</a> |
| 5.25     | SD16_A, Performance   | <a href="#">30</a> | 7.6      | Electrostatic Discharge Caution                               | <a href="#">84</a> |
| 5.26     | SD16_A, Linearity   | <a href="#">31</a> | 7.7      | Export Control Notice   | <a href="#">84</a> |
| 5.27     | Typical Characteristics, SD16_A SINAD Performance Over OSR  | <a href="#">31</a> | 7.8      | Glossary  | <a href="#">84</a> |
|          |   |                    | <b>8</b> | <b>Mechanical, Packaging, and Orderable Information</b>       | <b>85</b>          |

## 2 Revision History

NOTE: Page numbers for previous revisions may differ from page numbers in the current version.

| Changes from April 25, 2009 to May 4, 2020   | Page               |
|--|--------------------|
| • Changes to document format including section numbering and organization .....            | <a href="#">1</a>  |
| • Throughout the document, added the ZCA package .....                                     | <a href="#">1</a>  |
| • Added <a href="#">Section 1.2, Applications</a> .....                                    | <a href="#">1</a>  |
| • Added <i>Device Information</i> table .....  | <a href="#">2</a>  |
| • Changed the status of all orderable part numbers in the ZQW package .....                | <a href="#">2</a>  |
| • Removed former section <i>Development Tool Support</i> .....                             | <a href="#">2</a>  |
| • Moved functional block diagram to <a href="#">Section 1.4</a> .....                      | <a href="#">2</a>  |
| • Added <a href="#">Section 3, Device Comparison</a> .....                                 | <a href="#">5</a>  |
| • Added <a href="#">Section 5</a> and moved all electrical specifications to it .....      | <a href="#">12</a> |
| • Added <a href="#">Section 5.2, ESD Ratings</a> .....                                     | <a href="#">12</a> |
| • In <i>Recommended Operating Conditions</i> , added test conditions for TYP values .....  | <a href="#">13</a> |
| • Changed all instances of "bootstrap loader" to "bootloader" throughout document.....     | <a href="#">50</a> |
| • Added <a href="#">Section 7</a> and moved Trademarks and ESD Caution sections to it..... | <a href="#">81</a> |
| • Added <a href="#">Section 8</a> .....  | <a href="#">85</a> |

### 3 Device Comparison

The following table summarizes the available family members.

**Table 3-1. Device Comparison<sup>(1)(2)</sup>**

| DEVICE     | FLASH (KB) | RAM (KB) | Timer_A | Timer_B | SD16_A | DAC12 | USCI   | I/Os | PACKAGE                     |
|------------|------------|----------|---------|---------|--------|-------|--------|------|-----------------------------|
| MSP430F479 | 60         | 2        | TA3     | TB3     | 1      | 1     | A0, B0 | 48   | PN 80<br>ZCA 113<br>ZQW 113 |
| MSP430F478 | 48         | 2        | TA3     | TB3     | 1      | 1     | A0, B0 | 48   | PN 80<br>ZCA 113<br>ZQW 113 |
| MSP430F477 | 32         | 2        | TA3     | TB3     | 1      | 1     | A0, B0 | 48   | PN 80<br>ZCA 113<br>ZQW 113 |

(1) For the most current device, package, and ordering information for all available devices, see the *Package Option Addendum* in [Section 8](#), or see the TI website at [www.ti.com](http://www.ti.com).

(2) Package drawings, thermal data, and symbolization are available at [www.ti.com/packaging](http://www.ti.com/packaging).

#### 3.1 Related Products

For information about other devices in this family of products or related products, see the following links.

**Products for TI Microcontrollers** TI's low-power and high-performance MCUs, with wired and wireless connectivity options, are optimized for a broad range of applications.

**Products for MSP430 Ultra-Low-Power Microcontrollers** One platform. One ecosystem. Endless possibilities. Enabling the connected world with innovations in ultra-low-power microcontrollers with advanced peripherals for precise sensing and measurement.

**Companion Products for MSP430F479** Review products that are frequently purchased or used in conjunction with this product.

**Reference Designs** Find reference designs leveraging the best in TI technology to solve your system-level challenges

## 4 Terminal Configuration and Functions

### 4.1 Pin Diagrams

Figure 4-1 shows the pinout for the 80-pin PN package.

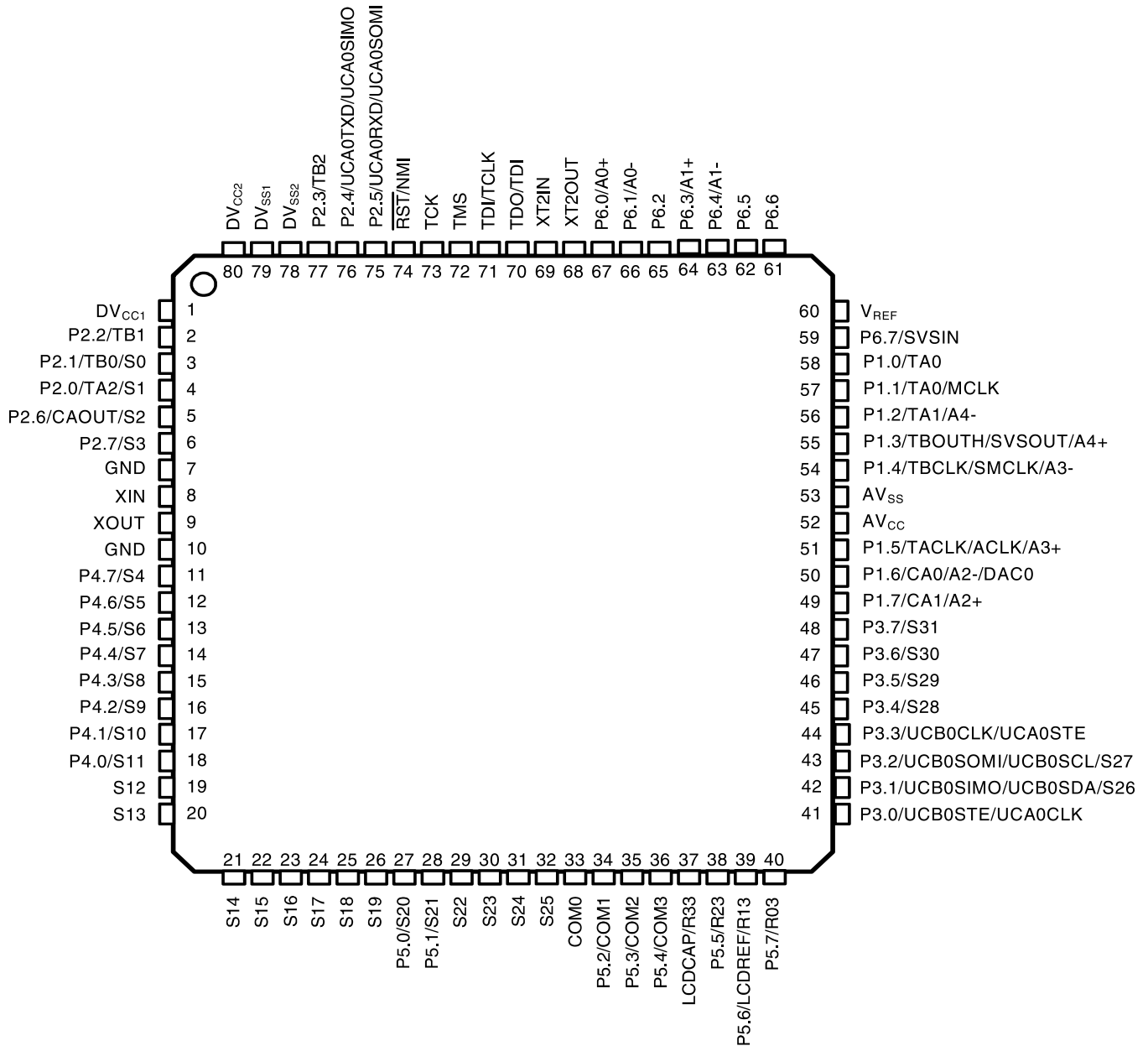
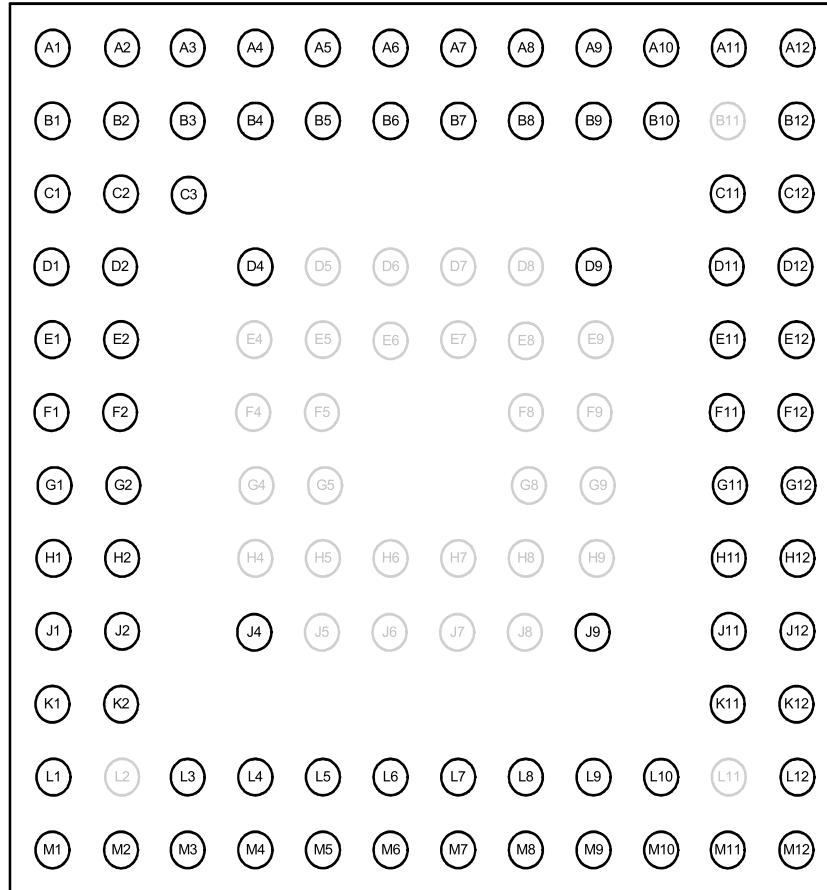


Figure 4-1. 80-Pin PN Package (Top View)

Figure 4-2 shows the pinout for the 113-pin ZCA and ZQW packages. For pin assignments, see Table 4-1.



NOTE: For the terminal assignments, see Section 4.2.

**Figure 4-2. 113-Pin ZCA and ZQW Packages (Top View)**

## 4.2 Signal Descriptions

Table 4-1 describes the device signals.

**Table 4-1. Signal Descriptions**

| SIGNAL NAME            | PIN NO. |             | I/O | DESCRIPTION   |
|------------------------|---------|-------------|-----|---|
|                        | PN      | ZCA,<br>ZQW |     |   |
| AVCC                   | 52      | F12         |     | Analog supply voltage, positive terminal.                               |
| AVSS                   | 53      | E12         |     | Analog supply voltage, negative terminal.                               |
| DVCC1                  | 1       | A1          |     | Digital supply voltage, positive terminal. Supplies all digital parts.  |
| DVSS1                  | 79      | A3          |     | Digital supply voltage, negative terminal. Supplies all digital parts.  |
| DVCC2                  | 80      | A2          |     | Digital supply voltage, positive terminal. Supplies all digital parts.  |
| DVSS2                  | 78      | B2, B3      |     | Digital supply voltage, negative terminal. Supplies all digital parts.  |
| P1.0/TA0               | 58      | C11         | I/O | General-purpose digital I/O pin   |
|                        |         |             |     | Timer_A, capture: CCI0A input, compare: Out0 output                     |
|                        |         |             |     | BSL transmit  |
| P1.1/TA0/MCLK          | 57      | C12         | I/O | General-purpose digital I/O pin   |
|                        |         |             |     | Timer_A, capture: CCI0B input, compare: Out0 output                     |
|                        |         |             |     | MCLK signal output  |
|                        |         |             |     | BSL receive   |
| P1.2/TA1/A4-           | 56      | D11         | I/O | General-purpose digital I/O pin   |
|                        |         |             |     | Timer_A, capture: CCI1A input, compare: Out1 output                     |
|                        |         |             |     | SD16 negative analog input A4   |
| P1.3/TBOUTH/SVSOUT/A4+ | 55      | D12         | I/O | General-purpose digital I/O pin   |
|                        |         |             |     | Timer_A, capture: CCI2A input, compare: Out2 output                     |
|                        |         |             |     | Set all PWM digital output ports to high impedance - Timer_B TB0 to TB2 |
|                        |         |             |     | SVS comparator output   |
|                        |         |             |     | SD16 positive analog input A4   |
| P1.4/TBCLK/SMCLK/A3-   | 54      | E11         | I/O | General-purpose digital I/O pin   |
|                        |         |             |     | Timer_B, clock signal TBCLK input                                       |
|                        |         |             |     | SMCLK signal output   |
|                        |         |             |     | SD16 negative analog input A3   |
| P1.5/TACLK/ACLK/A3+    | 51      | F11         | I/O | General-purpose digital I/O pin   |
|                        |         |             |     | Timer_A, clock signal TACLK input                                       |
|                        |         |             |     | ACLK signal output  |
|                        |         |             |     | SD16 positive analog input A3   |
| P1.6/CA0/A2-/DAC0      | 50      | G12         | I/O | General-purpose digital I/O pin   |
|                        |         |             |     | Comparator_A input 0  |
|                        |         |             |     | SD16 negative analog input A2   |
| P1.7/CA1/A2+           | 49      | G11         | I/O | General-purpose digital I/O pin   |
|                        |         |             |     | Comparator_A input 1  |
|                        |         |             |     | SD16 positive analog input A2   |
| P2.0/TA2/S1            | 4       | C2, C3      | I/O | General-purpose digital I/O pin   |
|                        |         |             |     | Timer_A, capture: CCI2A/B input, compare: Out2 output                   |
|                        |         |             |     | LCD segment output 1  |
| P2.1/TB0/S0            | 3       | C1          | I/O | General-purpose digital I/O pin   |
|                        |         |             |     | Timer_B, capture: CCI0A/B input, compare: Out0 output                   |
|                        |         |             |     | LCD segment output 0  |



**Table 4-1. Signal Descriptions (continued)**

| SIGNAL NAME                   | PIN NO. |             | I/O | DESCRIPTION  |
|-------------------------------|---------|-------------|-----|--|
|                               | PN      | ZCA,<br>ZQW |     |  |
| P2.2/TB1                      | 2       | B1          | I/O | General-purpose digital I/O pin<br>Timer_B, capture: CCI1A/B input, compare: Out1 output                                       |
| P2.3/TB2                      | 77      | B4          | I/O | General-purpose digital I/O pin<br>Timer_B, capture: CCI2A/B input, compare: Out2 output                                       |
| P2.4/UCA0TXD/<br>UCA0SIMO     | 76      | A4          | I/O | General-purpose digital I/O pin<br>USCIA transmit data output in UART mode, slave data in/master out in SPI mode               |
| P2.5/UCA0RXD/<br>UCA0SOMI     | 75      | D4          | I/O | General-purpose digital I/O pin<br>USCI A0 receive data input in UART mode, slave data out/master in in SPI mode               |
| P2.6/CAOUT/S2                 | 5       | D1          | I/O | General-purpose digital I/O pin<br>Comparator_A output<br>LCD segment output 2   |
| P2.7/S3                       | 6       | D2          | I/O | General-purpose digital I/O pin<br>LCD segment output 3  |
| P3.0/UCB0STE/UCA0CLK          | 41      | M12         | I/O | General-purpose digital I/O pin<br>USCI B0 slave transmit enable<br>USCI A0 clock input/output                                 |
| P3.1/UCB0SIMO/<br>UCB0SDA/S26 | 42      | L12         | I/O | General-purpose digital I/O pin<br>USCI B0 slave in/master out in SPI mode, SDA I2C data in I2C mode<br>LCD segment output 26  |
| P3.2/UCB0SOMI/<br>UCB0SCL/S27 | 43      | K11         | I/O | General-purpose digital I/O pin<br>USCI B0 slave out/master in in SPI mode, SCL I2C clock in I2C mode<br>LCD segment output 27 |
| P3.3/UCB0CLK/UCA0STE          | 44      | K12         | I/O | General-purpose digital I/O<br>USCI B0 clock input/output, USCI A0 slave transmit enable                                       |
| P3.4/S28                      | 45      | J11         | I/O | General-purpose digital I/O pin<br>LCD segment output 28   |
| P3.5/S29                      | 46      | J12         | I/O | General-purpose digital I/O pin<br>LCD segment output 29   |
| P3.6/S30                      | 47      | H11         | I/O | General-purpose digital I/O pin<br>LCD segment output 30   |
| P3.7/S31                      | 48      | H12         | I/O | General-purpose digital I/O pin<br>LCD segment output 31   |
| P4.0/S11                      | 18      | K2          | I/O | General-purpose digital I/O pin<br>LCD segment output 11   |
| P4.1/S10                      | 17      | K1          | I/O | General-purpose digital I/O pin<br>LCD segment output 10   |
| P4.2/S9                       | 16      | J2          | I/O | General-purpose digital I/O pin<br>LCD segment output 9  |
| P4.3/S8                       | 15      | J1          | I/O | General-purpose digital I/O pin<br>LCD segment output 8  |
| P4.4/S7                       | 14      | H2          | I/O | General-purpose digital I/O pin<br>LCD segment output 7  |
| P4.5/S6                       | 13      | H1          | I/O | General-purpose digital I/O pin<br>LCD segment output 6  |

Table 4-1. Signal Descriptions (continued)

| SIGNAL NAME     | PIN NO. |             | I/O | DESCRIPTION  |
|-----------------|---------|-------------|-----|--|
|                 | PN      | ZCA,<br>ZQW |     |  |
| P4.6/S5         | 12      | G2          | I/O | General-purpose digital I/O pin<br>LCD segment output 5  |
| P4.7/S4         | 11      | G1          | I/O | General-purpose digital I/O pin<br>LCD segment output 4  |
| COM0            | 33      | L8          | O   | Common output, COM0- 3 are used for LCD backplanes   |
| P5.0/S20        | 27      | L5          | I/O | General-purpose digital I/O pin<br>LCD segment output 20   |
| P5.1/S21        | 28      | M5          | I/O | General-purpose digital I/O pin<br>LCD segment output 21   |
| P5.2/COM1       | 34      | M8          | I/O | General-purpose digital I/O pin<br>common output, COM0- 3 are used for LCD backplanes  |
| P5.3/COM2       | 35      | L9          | I/O | General-purpose digital I/O pin<br>common output, COM0- 3 are used for LCD backplanes  |
| P5.4/COM3       | 36      | M9          | I/O | General-purpose digital I/O pin<br>common output, COM0- 3 are used for LCD backplanes  |
| LDCAP/R33       | 37      | J9          | I/O | Capacitor connection for LCD charge pump<br>input port of most positive analog LCD level (V4)  |
| P5.5/R23        | 38      | M10         | I/O | General-purpose digital I/O pin<br>input port of the second most positive analog LCD level (V3)  |
| P5.6/LCDREF/R13 | 39      | L10         | I/O | General-purpose digital I/O pin<br>External LCD reference voltage input<br>input port of the third most positive analog LCD level (V3 or V2) |
| P5.7/R03        | 40      | M11         | I/O | General-purpose digital I/O pin<br>input port of the fourth most positive analog LCD level (V1)  |
| P6.0/A0+        | 67      | B8          | I/O | General-purpose digital I/O pin<br>SD16 positive analog input A0   |
| P6.1/A0-        | 66      | B9          | I/O | General-purpose digital I/O pin<br>SD16 positive negative input A0   |
| P6.2            | 65      | A9          | I/O | General-purpose digital I/O pin  |
| P6.3/A1+        | 64      | D9          | I/O | General-purpose digital I/O pin<br>SD16 positive analog input A1   |
| P6.4/A1-        | 63      | A10         | I/O | General-purpose digital I/O pin<br>SD16 positive negative input A1   |
| P6.5            | 62      | B10         | I/O | General-purpose digital I/O pin  |
| P6.6            | 61      | A11         | I/O | General-purpose digital I/O pin  |
| P6.7/SVSIN      | 59      | B12         | I/O | General-purpose digital I/O pin<br>SVS input   |
| S12             | 19      | L1          | O   | LCD segment output 12  |
| S13             | 20      | M1          | O   | LCD segment output 13  |
| S14             | 21      | M2          | O   | LCD segment output 14  |
| S15             | 22      | M3          | O   | LCD segment output 15  |
| S16             | 23      | L3          | O   | LCD segment output 16  |
| S17             | 24      | L4          | O   | LCD segment output 17  |
| S18             | 25      | M4          | O   | LCD segment output 18  |
| S19             | 26      | J4          | O   | LCD segment output 19  |
| S22             | 29      | L6          | O   | LCD segment output 22  |

**Table 4-1. Signal Descriptions (continued)**

| SIGNAL NAME                        | PIN NO. |  | I/O | DESCRIPTION  |
|------------------------------------|---------|--|-----|--|
|                                    | PN      | ZCA,<br>ZQW  |     |  |
| S23                                | 30      | M6   | O   | LCD segment output 23  |
| S24                                | 31      | L7   | O   | LCD segment output 24  |
| S25                                | 32      | M7   | O   | LCD segment output 25  |
| GND                                | 7       | E2   |     | Ground. It is used to shield the oscillator. See Note 1.   |
| XIN                                | 8       | E1   | I   | Input port for crystal oscillator XT1. Standard or watch crystals can be connected.              |
| XOUT                               | 9       | F1   | O   | Output port for crystal oscillator XT1. Standard or watch crystals can be connected.             |
| GND                                | 10      | F2   |     | Ground. It is used to shield the oscillator. <sup>(1)</sup>                                      |
| V <sub>REF</sub>                   | 60      | A12  | O   | Input for an external reference voltage/internal reference voltage output                        |
| $\overline{\text{RST}}/\text{NMI}$ | 74      | B5   | I   | Reset input, nonmaskable interrupt input port, or bootloader start (in flash devices).           |
| TCK                                | 73      | A5   | I   | Test clock (JTAG). TCK is the clock input port for device programming test and bootloader start. |
| TDI/TCLK                           | 71      | A6   | I   | Test data input or test clock input. The device protection fuse is connected to TDI/TCLK.        |
| TDO/TDI                            | 70      | B7   | I/O | Test data output port. TDO/TDI data output or programming data input terminal.                   |
| TMS                                | 72      | B6   | I   | Test mode select. TMS is used as an input port for device programming and test.                  |
| XT2OUT                             | 68      | A8   | O   | Output terminal of crystal oscillator XT2  |
| XT2IN                              | 69      | A7   | I   | Input port for crystal oscillator XT2  |
| Reserved                           | NA      | B11, D6,<br>D7, D8,<br>E4, E5,<br>E6, E7,<br>E8, E9,<br>F4, F5,<br>F8, F9,<br>G4,<br>G5, G8,<br>G9, H4,<br>H5, H6,<br>H7, H8,<br>H9, J5, J6,<br>J7, J8, L2,<br>L11 |     | Unused BGA balls. Connection to DVSS/AVSS recommended.   |

(1) It is recommended to connect GND externally to DV<sub>SS</sub>.

## 5 Specifications

### 5.1 Absolute Maximum Ratings

over operating free-air temperature range (unless otherwise noted)<sup>(1)</sup>

|   |                     | MIN  | MAX            | UNIT |
|---|---------------------|------|----------------|------|
| Voltage applied at $V_{CC}$ to $V_{SS}$       |                     | -0.3 | 4.1            | V    |
| Voltage applied to any pin <sup>(2)</sup>     |                     | -0.3 | $V_{CC} + 0.3$ | V    |
| Diode current at any device terminal          |                     |      | $\pm 2$        | mA   |
| Storage temperature, $T_{stg}$ <sup>(3)</sup> | Unprogrammed device | -55  | 150            | °C   |
|   | Programmed device   | -40  | 85             |      |

- (1) Stresses beyond those listed under *Absolute Maximum Ratings* may cause permanent damage to the device. These are stress ratings only, and functional operation of the device at these or any other conditions beyond those indicated under *Recommended Operating Conditions* is not implied. Exposure to absolute-maximum-rated conditions for extended periods may affect device reliability.
- (2) All voltages are referenced to  $V_{SS}$ . The JTAG fuse-blow voltage,  $V_{FB}$ , is allowed to exceed the absolute maximum rating. The voltage is applied to the TDI/TCLK pin when blowing the JTAG fuse.
- (3) Higher temperature may be applied during board soldering process according to the current JEDEC J-STD-020 specification with peak reflow temperatures not higher than classified on the device label on the shipping boxes or reels.

### 5.2 ESD Ratings

|                                     |  | VALUE      | UNIT |
|-------------------------------------|--|------------|------|
| $V_{(ESD)}$ Electrostatic discharge | Human-body model (HBM), per ANSI/ESDA/JEDEC JS-001 <sup>(1)</sup>              | $\pm 1000$ | V    |
|                                     | Charged-device model (CDM), per JEDEC specification JESD22-C101 <sup>(2)</sup> | $\pm 250$  |      |

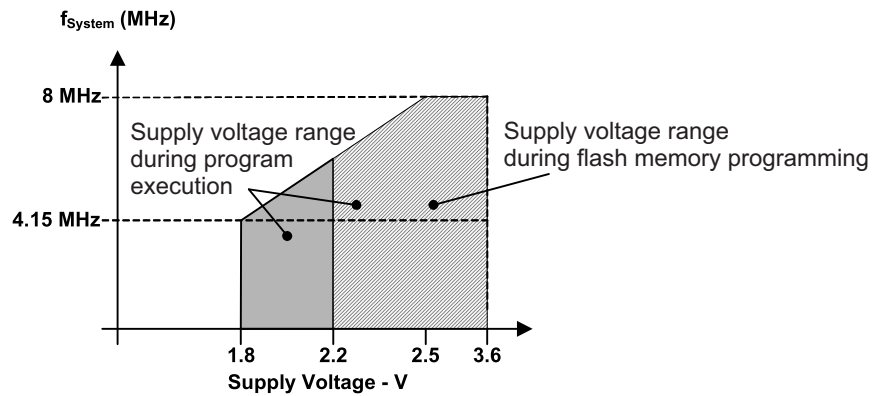
- (1) JEDEC document JEP155 states that 500-V HBM allows safe manufacturing with a standard ESD control process. Pins listed as  $\pm 1000$  V may actually have higher performance.
- (2) JEDEC document JEP157 states that 250-V CDM allows safe manufacturing with a standard ESD control process. Pins listed as  $\pm 250$  V may actually have higher performance.

### 5.3 Recommended Operating Conditions

Typical values are specified at  $V_{CC} = 3.3\text{ V}$  and  $T_A = 25^\circ\text{C}$  (unless otherwise noted)

|                       |  |  |                   | MIN  | NOM    | MAX  | UNIT             |
|-----------------------|--|--|-------------------|------|--------|------|------------------|
| $V_{CC}$              | Supply voltage   | During program execution ( $AV_{CC} = DV_{CC1} = DV_{CC2} = V_{CC}$ )        |                   | 1.8  |        | 3.6  | V                |
|                       |  | During flash memory programming ( $AV_{CC} = DV_{CC1} = DV_{CC2} = V_{CC}$ ) |                   | 2.7  |        | 3.6  |                  |
| $V_{SS}$              | Supply ground ( $AV_{SS} = DV_{SS1} = DV_{SS2} = V_{SS}$ ) |  |                   | 0    |        | 0    | V                |
| $T_A$                 | Operating free-air temperature range                       |  |                   | -40  |        | 85   | $^\circ\text{C}$ |
| $f_{(\text{LFXT1})}$  | LFXT1 crystal frequency <sup>(1)</sup>                     | LF selected, XTS_FLL = 0   | Watch crystal     |      | 32.768 |      | kHz              |
|                       |  | XT1 selected, XTS_FLL = 1  | Ceramic resonator | 0.45 |        | 6    |                  |
|                       |  | XT1 selected, XTS_FLL = 1  | Crystal           | 1    |        | 6    |                  |
| $f_{(\text{XT2})}$    | XT2 crystal frequency                                      | Ceramic resonator  |                   | 0.45 |        | 8    | MHz              |
|                       |  | Crystal  |                   | 1    |        | 8    |                  |
| $f_{(\text{System})}$ | Processor frequency (MCLK, SMCLK, ACLK)                    | $V_{CC} = 1.8\text{ V}$  |                   | DC   |        | 4.15 | MHz              |
|                       |  | $V_{CC} = 2.5\text{ V}$  |                   | DC   |        | 8    |                  |

(1) In LF mode, the LFXT1 oscillator requires a watch crystal. In XT1 mode, LFXT1 accepts a ceramic resonator or a crystal.



**Figure 5-1. Frequency vs Supply Voltage**

## 5.4 Supply Current Into AV<sub>CC</sub> and DV<sub>CC</sub> Excluding External Current

over recommended ranges of supply voltage and operating free-air temperature (unless otherwise noted)

| PARAMETER           |  | TEST CONDITION                 |                         | MIN                   | TYP                   | MAX | UNIT |     |     |
|---------------------|--|--------------------------------|-------------------------|-----------------------|-----------------------|-----|------|-----|-----|
| I <sub>(AM)</sub>   | Active mode <sup>(1)</sup><br>f <sub>(MCLK)</sub> = f <sub>(SMCLK)</sub> = 1 MHz,<br>f <sub>(ACLK)</sub> = 32768 Hz,<br>XTS = 0, SELM = 0 or 1   | T <sub>A</sub> = -40°C to 85°C | V <sub>CC</sub> = 2.2 V |                       | 262                   | 295 | μA   |     |     |
|                     |  |                                | V <sub>CC</sub> = 3 V   |                       | 420                   | 460 |      |     |     |
| I <sub>(LPM0)</sub> | Low power mode (LPM0) <sup>(1)</sup>   | T <sub>A</sub> = -40°C to 85°C | V <sub>CC</sub> = 2.2 V |                       | 32                    | 62  | μA   |     |     |
|                     |  |                                | V <sub>CC</sub> = 3 V   |                       | 51                    | 77  |      |     |     |
| I <sub>(LPM2)</sub> | Low-power mode (LPM2),<br>f <sub>(MCLK)</sub> = f <sub>(SMCLK)</sub> = 0 MHz,<br>f <sub>(ACLK)</sub> = 32768 Hz, SCG0 = 0 <sup>(2)</sup>   | T <sub>A</sub> = -40°C to 85°C | V <sub>CC</sub> = 2.2 V |                       | 5                     | 9   | μA   |     |     |
|                     |  |                                | V <sub>CC</sub> = 3 V   |                       | 7                     | 13  |      |     |     |
| I <sub>(LPM3)</sub> | Low-power mode (LPM3),<br>f <sub>(MCLK)</sub> = f <sub>(SMCLK)</sub> = 0 MHz,<br>f <sub>(ACLK)</sub> = 32768 Hz, SCG0 = 1,<br>Basic Timer1 enabled, ACLK selected,<br>LCD_A enabled, LCDCPEN = 0,<br>(static mode, f <sub>LCD</sub> = f <sub>(ACLK)/32)<sup>(2)</sup> <sup>(3)</sup></sub> | T <sub>A</sub> = -40°C         | V <sub>CC</sub> = 2.2 V |                       | 1.0                   | 1.8 | μA   |     |     |
|                     |  |                                |                         | T <sub>A</sub> = 25°C |                       | 1.0 |      | 1.8 |     |
|                     |  |                                |                         | T <sub>A</sub> = 60°C |                       | 1.1 |      | 2.0 |     |
|                     |  |                                |                         | T <sub>A</sub> = 85°C |                       | 2.3 |      | 4.0 |     |
|                     |  | T <sub>A</sub> = -40°C         |                         | V <sub>CC</sub> = 3 V |                       | 1.2 |      | 2.0 |     |
|                     |  |                                |                         |                       | T <sub>A</sub> = 25°C |     |      | 1.2 | 2.0 |
|                     |  |                                |                         |                       | T <sub>A</sub> = 60°C |     |      | 1.4 | 2.2 |
|                     |  |                                |                         |                       | T <sub>A</sub> = 85°C |     |      | 2.7 | 4.5 |
| I <sub>(LPM3)</sub> | Low-power mode (LPM3),<br>f <sub>(MCLK)</sub> = f <sub>(SMCLK)</sub> = 0 MHz,<br>f <sub>(ACLK)</sub> = 32768 Hz, SCG0 = 1,<br>Basic Timer1 enabled, ACLK selected,<br>LCD_A enabled, LCDCPEN = 0,<br>(4-mux mode; f <sub>LCD</sub> = f <sub>(ACLK)/32)<sup>(2)</sup> <sup>(3)</sup></sub>  | T <sub>A</sub> = -40°C         | V <sub>CC</sub> = 2.2 V |                       |                       | 1.0 | 3.0  | μA  |     |
|                     |  |                                |                         |                       | T <sub>A</sub> = 25°C |     | 1.1  |     | 3.2 |
|                     |  |                                |                         |                       | T <sub>A</sub> = 85°C |     | 3.5  |     | 6.0 |
|                     |  | T <sub>A</sub> = -40°C         |                         |                       | V <sub>CC</sub> = 3 V |     | 1.8  |     | 3.3 |
|                     |  |                                |                         | T <sub>A</sub> = 25°C |                       |     | 2.0  |     | 4.0 |
|                     |  |                                |                         | T <sub>A</sub> = 60°C |                       |     | 4.2  |     | 7.5 |
|                     |  |                                |                         | T <sub>A</sub> = 85°C |                       |     |      |     |     |
|                     |  |                                |                         |                       |                       |     |      |     |     |
| I <sub>(LPM4)</sub> | Low-power mode (LPM4),<br>f <sub>(MCLK)</sub> = 0 MHz, f <sub>(SMCLK)</sub> = 0 MHz,<br>f <sub>(ACLK)</sub> = 0 Hz, SCG0 = 1 <sup>(2)</sup>  | T <sub>A</sub> = -40°C         | V <sub>CC</sub> = 2.2 V |                       |                       | 0.1 | 0.5  | μA  |     |
|                     |  |                                |                         | T <sub>A</sub> = 25°C |                       |     | 0.1  |     | 0.5 |
|                     |  |                                |                         | T <sub>A</sub> = 60°C |                       |     | 0.7  |     | 1.1 |
|                     |  |                                |                         | T <sub>A</sub> = 85°C |                       | 1.7 | 3.0  |     |     |
|                     |  | T <sub>A</sub> = -40°C         |                         | V <sub>CC</sub> = 3 V |                       | 0.1 | 0.8  |     |     |
|                     |  |                                |                         |                       | T <sub>A</sub> = 25°C |     | 0.1  |     | 0.8 |
|                     |  |                                |                         |                       | T <sub>A</sub> = 60°C |     | 0.8  |     | 1.2 |
|                     |  |                                |                         |                       | T <sub>A</sub> = 85°C |     | 1.5  |     | 3.5 |
|                     |  |                                |                         |                       |                       |     |      |     |     |
|                     |  |                                |                         |                       |                       |     |      |     |     |

(1) Timer\_A is clocked by f<sub>(DCOCLK)</sub> = 1 MHz. All inputs are tied to 0 V or to V<sub>CC</sub>. Outputs do not source or sink any current.

(2) All inputs are tied to 0 V or to V<sub>CC</sub>. Outputs do not source or sink any current.

(3) The LPM3 currents are characterized with a Micro Crystal CC4V-T1A (9 pF) crystal and OSCCAPx = 1h.

Current consumption of active mode versus system frequency:

$$I_{(AM)} = I_{(AM)} [1 \text{ MHz}] \times f_{(\text{System})} [\text{MHz}]$$

Current consumption of active mode versus supply voltage:

$$I_{(AM)} = I_{(AM)} [3 \text{ V}] + 200 \mu\text{A/V} \times (V_{CC} - 2.2 \text{ V})$$

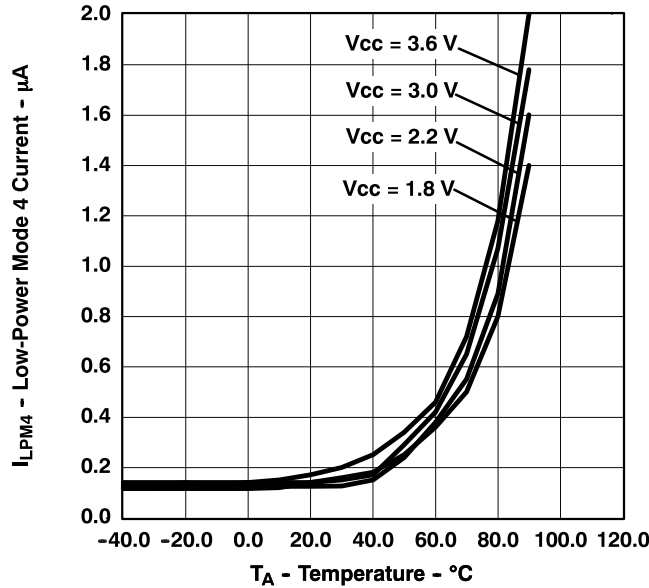


Figure 5-2. I<sub>LPM4</sub> -- LPM4 Current vs Temperature

### 5.5 Schmitt-Trigger Inputs – Ports P1 to P6, $\overline{RST}/NMI$ , JTAG (TCK, TMS, TDI/TCLK, TDO/TDI)

over recommended ranges of supply voltage and operating free-air temperature (unless otherwise noted)

| PARAMETER        |   | TEST CONDITIONS         | MIN | MAX  | UNIT |
|------------------|---|-------------------------|-----|------|------|
| V <sub>IT+</sub> | Positive-going input threshold voltage                          | V <sub>CC</sub> = 2.2 V | 1.1 | 1.55 | V    |
|                  |   | V <sub>CC</sub> = 3 V   | 1.5 | 1.98 |      |
| V <sub>IT-</sub> | Negative-going input threshold voltage                          | V <sub>CC</sub> = 2.2 V | 0.4 | 0.9  | V    |
|                  |   | V <sub>CC</sub> = 3 V   | 0.9 | 1.3  |      |
| V <sub>hys</sub> | Input voltage hysteresis (V <sub>IT+</sub> – V <sub>IT-</sub> ) | V <sub>CC</sub> = 2.2 V | 0.3 | 1.1  | V    |
|                  |   | V <sub>CC</sub> = 3 V   | 0.5 | 1    |      |

### 5.6 Inputs P<sub>x.y</sub>, T<sub>Ax</sub>

over recommended ranges of supply voltage and operating free-air temperature (unless otherwise noted)

| PARAMETER            |   | TEST CONDITIONS  | V <sub>CC</sub> | MIN | MAX | UNIT |
|----------------------|---|--|-----------------|-----|-----|------|
| t <sub>(int)</sub>   | External interrupt timing                         | Port P1, P2: P1.x to P2.x, external trigger signal for the interrupt flag <sup>(1)</sup> | 2.2 V           | 62  |     | ns   |
|                      |   |  | 3 V             | 50  |     |      |
| t <sub>(cap)</sub>   | Timer_A capture timing                            | TA0, TA1, TA2  | 2.2 V           | 62  |     | ns   |
|                      |   |  | 3 V             | 50  |     |      |
| f <sub>(TAext)</sub> | Timer_A clock frequency externally applied to pin | TACLK, INCLK t <sub>(H)</sub> = t <sub>(L)</sub>   | 2.2 V           |     | 8   | MHz  |
| f <sub>(TBext)</sub> |   |  | 3 V             |     | 10  |      |
| f <sub>(TAint)</sub> | Timer A clock frequency                           | SMCLK or ACLK signal selected  | 2.2 V           |     | 8   | MHz  |
| f <sub>(TBint)</sub> |   |  | 3 V             |     | 10  |      |

(1) The external signal sets the interrupt flag every time the minimum t<sub>(int)</sub> parameters are met. It may be set even with trigger signals shorter than t<sub>(int)</sub>.

### 5.7 Leakage Current – Ports P1 to P6

over recommended ranges of supply voltage and operating free-air temperature (unless otherwise noted)<sup>(1)</sup>

| PARAMETER              |                          | TEST CONDITIONS                    |                              | MIN | MAX | UNIT |
|------------------------|--------------------------|------------------------------------|------------------------------|-----|-----|------|
| I <sub>lkg(Px.y)</sub> | Leakage current, Port Px | V <sub>(Px.y)</sub> <sup>(2)</sup> | V <sub>CC</sub> = 2.2 V, 3 V |     | ±50 | nA   |

(1) The leakage current is measured with V<sub>SS</sub> or V<sub>CC</sub> applied to the corresponding pins, unless otherwise noted.

(2) The port pin must be selected as input.

## 5.8 Outputs – Ports P1 to P6

over recommended ranges of supply voltage and operating free-air temperature (unless otherwise noted)

| PARAMETER |                           | TEST CONDITIONS   | MIN             | MAX             | UNIT |
|-----------|---------------------------|---|-----------------|-----------------|------|
| $V_{OH}$  | High-level output voltage | $I_{OH(max)} = -1.5 \text{ mA}, V_{CC} = 2.2 \text{ V}^{(1)}$ | $V_{CC} - 0.25$ | $V_{CC}$        | V    |
|           |                           | $I_{OH(max)} = -6 \text{ mA}, V_{CC} = 2.2 \text{ V}^{(2)}$   | $V_{CC} - 0.6$  | $V_{CC}$        |      |
|           |                           | $I_{OH(max)} = -1.5 \text{ mA}, V_{CC} = 3 \text{ V}^{(1)}$   | $V_{CC} - 0.25$ | $V_{CC}$        |      |
|           |                           | $I_{OH(max)} = -6 \text{ mA}, V_{CC} = 3 \text{ V}^{(2)}$     | $V_{CC} - 0.6$  | $V_{CC}$        |      |
| $V_{OL}$  | Low-level output voltage  | $I_{OL(max)} = 1.5 \text{ mA}, V_{CC} = 2.2 \text{ V}^{(1)}$  | $V_{SS}$        | $V_{SS} + 0.25$ | V    |
|           |                           | $I_{OL(max)} = 6 \text{ mA}, V_{CC} = 2.2 \text{ V}^{(2)}$    | $V_{SS}$        | $V_{SS} + 0.6$  |      |
|           |                           | $I_{OL(max)} = 1.5 \text{ mA}, V_{CC} = 3 \text{ V}^{(1)}$    | $V_{SS}$        | $V_{SS} + 0.25$ |      |
|           |                           | $I_{OL(max)} = 6 \text{ mA}, V_{CC} = 3 \text{ V}^{(2)}$      | $V_{SS}$        | $V_{SS} + 0.6$  |      |

(1) The maximum total current,  $I_{OH(max)}$  and  $I_{OL(max)}$ , for all outputs combined, should not exceed  $\pm 12 \text{ mA}$  to satisfy the maximum specified voltage drop.

(2) The maximum total current,  $I_{OH(max)}$  and  $I_{OL(max)}$ , for all outputs combined, should not exceed  $\pm 48 \text{ mA}$  to satisfy the maximum specified voltage drop.

## 5.9 Output Frequency

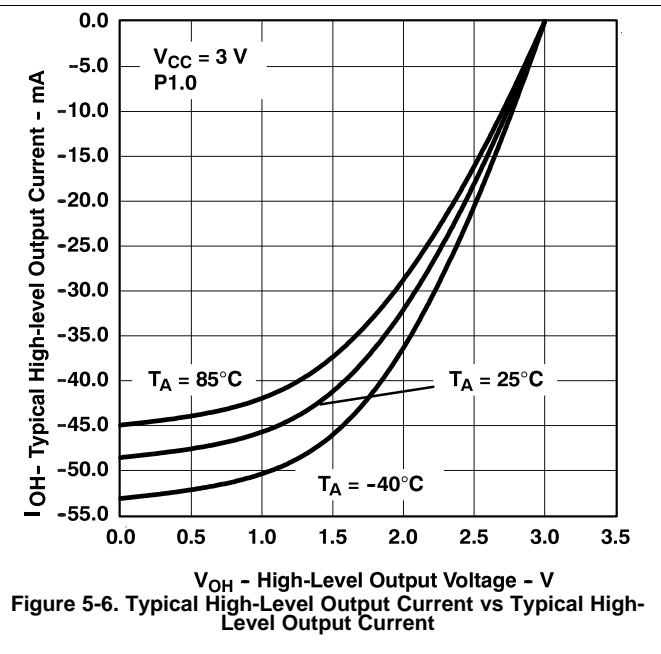
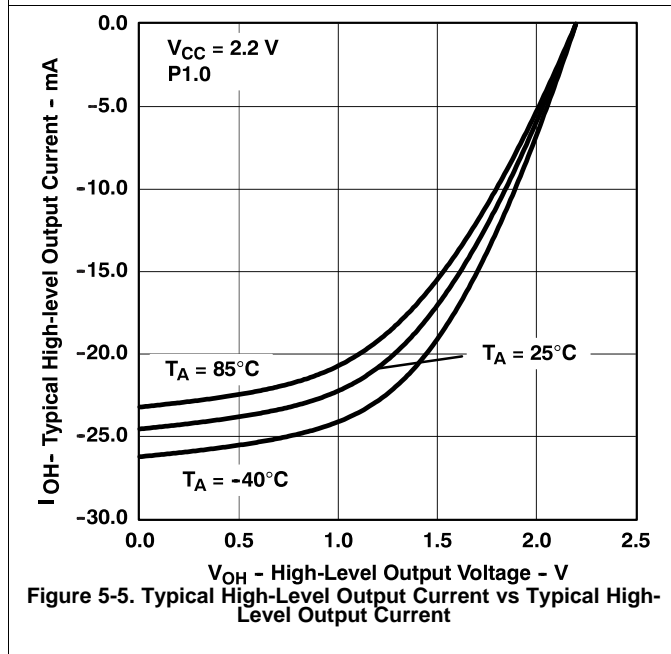
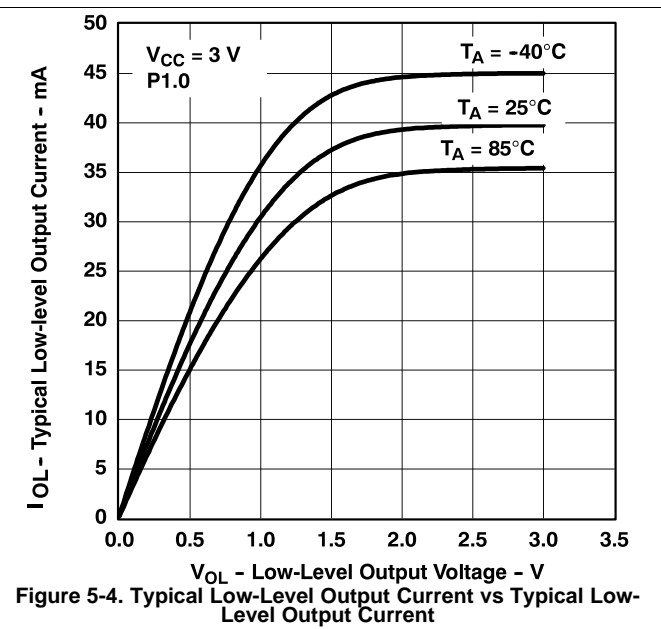
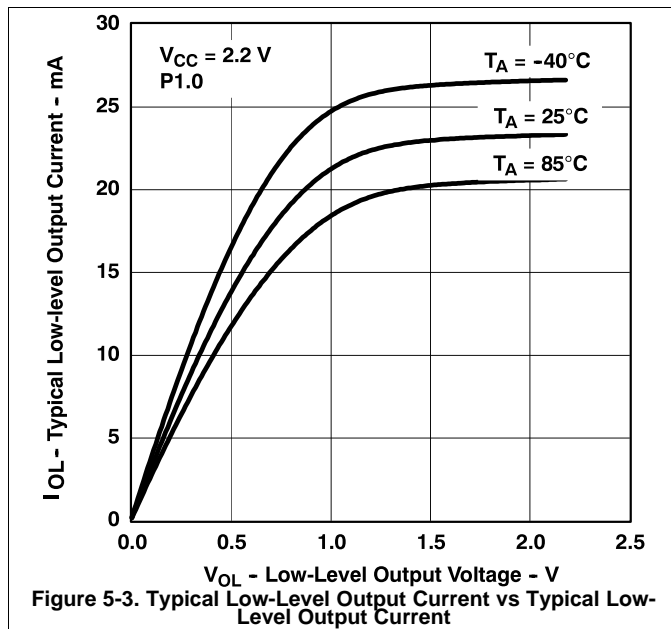
over recommended ranges of supply voltage and operating free-air temperature (unless otherwise noted)

| PARAMETER    |                                    | TEST CONDITIONS  |                                       | MIN            | TYP | MAX           | UNIT |
|--------------|------------------------------------|--|---------------------------------------|----------------|-----|---------------|------|
| $f_{(Px,y)}$ | $1 \leq x \leq 6, 0 \leq y \leq 7$ | $C_L = 20 \text{ F}, I_L = \pm 1.5 \text{ mA}$                               | $V_{CC} = 2.2 \text{ V}, 3 \text{ V}$ | DC             |     | $f_{System}$  | MHz  |
| $f_{(MCLK)}$ | P1.1/TA0/MCLK                      | $C_L = 20 \text{ pF}$  |                                       |                |     | $f_{System}$  | MHz  |
| $t_{(Xdc)}$  | Duty cycle of output frequency     | P1.1/TA0/MCLK,<br>$C_L = 20 \text{ pF}, V_{CC} = 2.2 \text{ V}, 3 \text{ V}$ | $f_{(MCLK)} = f_{(XT1)}$              | 40%            |     | 60%           |      |
|              |                                    |  | $f_{(MCLK)} = f_{(DCOCLK)}$           | 50% –<br>15 ns | 50% | 50%+<br>15 ns |      |



### 5.10 Typical Characteristics – Outputs

over recommended ranges of supply voltage and operating free-air temperature (unless otherwise noted)



### 5.11 Wake-up Timing From LPM3

over recommended ranges of supply voltage and operating free-air temperature (unless otherwise noted)

| PARAMETER                |  | TEST CONDITIONS     | MIN                                   | MAX | UNIT          |
|--------------------------|--|---------------------|---------------------------------------|-----|---------------|
| $t_{d(LPM3)}$ Delay time |  | $f = 1 \text{ MHz}$ |                                       | 6   | $\mu\text{s}$ |
|                          |  | $f = 2 \text{ MHz}$ | $V_{CC} = 2.2 \text{ V}, 3 \text{ V}$ | 6   |               |
|                          |  | $f = 3 \text{ MHz}$ |                                       | 6   |               |

### 5.12 POR – Brownout Reset (BOR)

over recommended ranges of supply voltage and operating free-air temperature (unless otherwise noted)<sup>(1)</sup>

| PARAMETER         |                         | TEST CONDITIONS  | MIN | TYP                       | MAX  | UNIT          |
|-------------------|-------------------------|--|-----|---------------------------|------|---------------|
| $t_{d(BOR)}$      | Brownout <sup>(2)</sup> |  |     |                           | 2000 | $\mu\text{s}$ |
| $V_{CC(start)}$   |                         | $dV_{CC}/dt \leq 3 \text{ V/s}$ (see Figure 5-7)   |     | $0.7 \times V_{(B\_IT-)}$ |      | V             |
| $V_{(B\_IT-)}$    |                         | $dV_{CC}/dt \leq 3 \text{ V/s}$ (see Figure 5-7 through Figure 5-9)                                      |     |                           | 1.71 | V             |
| $V_{hys(B\_IT-)}$ |                         | $dV_{CC}/dt \leq 3 \text{ V/s}$ (see Figure 5-7)   |     |                           |      | mV            |
| $t_{(reset)}$     |                         | Pulse duration needed at RST/NMI pin to accepted reset internally, $V_{CC} = 2.2 \text{ V}, 3 \text{ V}$ | 2   |                           |      | $\mu\text{s}$ |

- (1) The current consumption of the brownout module is already included in the  $I_{CC}$  current consumption data. The voltage level  $V_{(B\_IT-)} + V_{hys(B\_IT-)} \leq 1.89 \text{ V}$ .
- (2) During power up, the CPU begins code execution following a period of  $t_{d(BOR)}$  after  $V_{CC} = V_{(B\_IT-)} + V_{hys(B\_IT-)}$ . The default FLL+ settings must not be changed until  $V_{CC} \geq V_{CC(min)}$ , where  $V_{CC(min)}$  is the minimum supply voltage for the desired operating frequency. See the *MSP430x4xx Family User's Guide (SLAU056)* for more information on the brownout and SVS circuit.

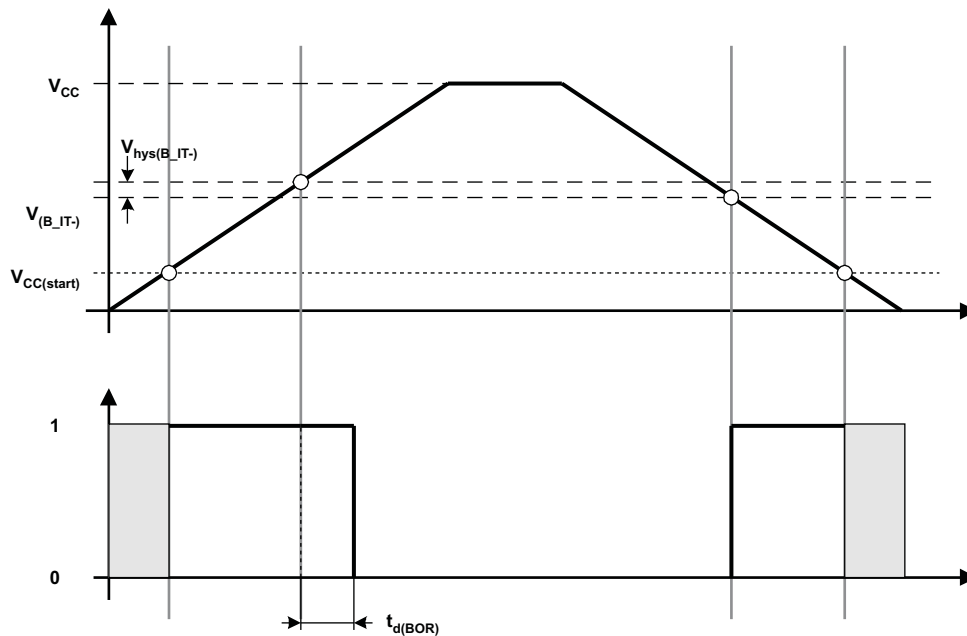


Figure 5-7. POR, BOR vs Supply Voltage

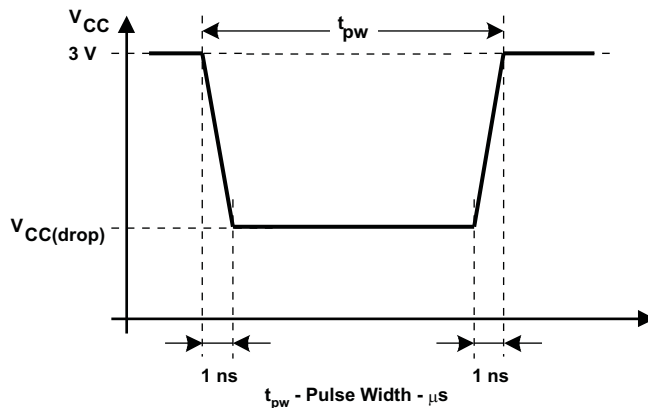
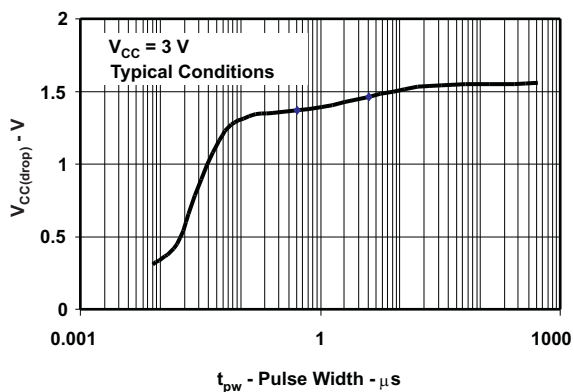


Figure 5-8.  $V_{CC(drop)}$  Level with a Square Voltage Drop to Generate a POR or BOR Signal

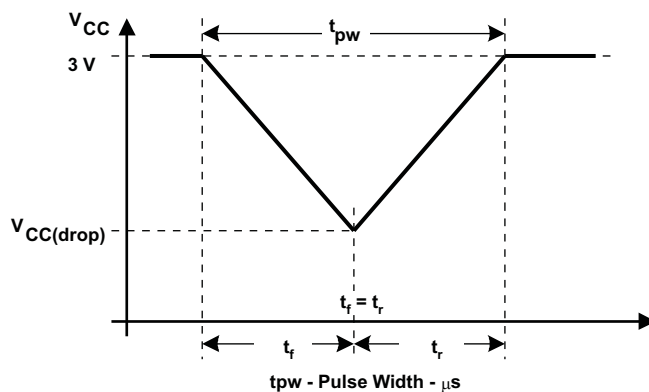
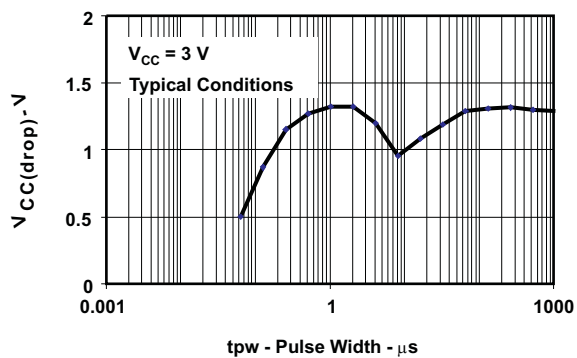


Figure 5-9.  $V_{CC(drop)}$  Level With a Triangle Voltage Drop to Generate a POR or BOR Signal

### 5.13 SVS (Supply Voltage Supervisor and Monitor)

over recommended ranges of supply voltage and operating free-air temperature (unless otherwise noted)

| PARAMETER  | TEST CONDITIONS  |               | MIN                           | TYP                | MAX                           | UNIT          |
|--|--|---------------|-------------------------------|--------------------|-------------------------------|---------------|
| $t_{(SVSR)}$   | $dV_{CC}/dt > 30 \text{ V/ms}$ (see Figure 5-10)                                 |               | 5                             |                    | 150                           | $\mu\text{s}$ |
|  | $dV_{CC}/dt \leq 30 \text{ V/ms}$  |               |                               |                    | 2000                          |               |
| $t_{d(SV\text{Son})}$  | SVS on, switch from VLD = 0 to VLD $\neq$ 0, $V_{CC} = 3 \text{ V}$              |               | 20                            |                    | 150                           | $\mu\text{s}$ |
| $t_{\text{settle}}$  | VLD $\neq$ 0 <sup>(1)</sup>  |               |                               |                    | 12                            | $\mu\text{s}$ |
| $V_{(SV\text{Sstart})}$  | VLD $\neq$ 0, $V_{CC}/dt \leq 3 \text{ V/s}$ (see Figure 5-10)                   |               |                               | 1.55               | 1.7                           | V             |
| $V_{\text{hys}(SVS\_IT-)}$   | $V_{CC}/dt \leq 3 \text{ V/s}$ (see Figure 5-10)                                 | VLD = 1       | 70                            | 120                | 210                           | mV            |
|  |  | VLD = 2 to 14 | $V_{(SVS\_IT-)} \times 0.001$ |                    | $V_{(SVS\_IT-)} \times 0.016$ |               |
|  | $V_{CC}/dt \leq 3 \text{ V/s}$ (see Figure 5-10), external voltage applied on A7 | VLD = 15      | 4.4                           |                    | 20                            | mV            |
| $V_{(SVS\_IT-)}$   | $V_{CC}/dt \leq 3 \text{ V/s}$ (see Figure 5-10)                                 | VLD = 1       | 1.8                           | 1.9                | 2.05                          | V             |
|  |  | VLD = 2       | 1.94                          | 2.1                | 2.23                          |               |
|  |  | VLD = 3       | 2.05                          | 2.2                | 2.37                          |               |
|  |  | VLD = 4       | 2.14                          | 2.3                | 2.48                          |               |
|  |  | VLD = 5       | 2.24                          | 2.4                | 2.6                           |               |
|  |  | VLD = 6       | 2.33                          | 2.5                | 2.71                          |               |
|  |  | VLD = 7       | 2.46                          | 2.65               | 2.86                          |               |
|  |  | VLD = 8       | 2.58                          | 2.8                | 3                             |               |
|  |  | VLD = 9       | 2.69                          | 2.9                | 3.13                          |               |
|  |  | VLD = 10      | 2.83                          | 3.05               | 3.29                          |               |
|  |  | VLD = 11      | 2.94                          | 3.2                | 3.42                          |               |
|  |  | VLD = 12      | 3.11                          | 3.35               | 3.61 <sup>(2)</sup>           |               |
|  |  | VLD = 13      | 3.24                          | 3.5                | 3.76 <sup>(2)</sup>           |               |
|  |  | VLD = 14      | 3.43                          | 3.7 <sup>(2)</sup> | 3.99 <sup>(2)</sup>           |               |
| $V_{CC}/dt \leq 3 \text{ V/s}$ (see Figure 5-10), external voltage applied on A7 | VLD = 15   | 1.1           | 1.2                           | 1.3                |                               |               |
| $I_{CC(SVS)}$ <sup>(3)</sup>   | VLD $\neq$ 0, $V_{CC} = 2.2 \text{ V}, 3 \text{ V}$                              |               |                               | 10                 | 15                            | $\mu\text{A}$ |

(1)  $t_{\text{settle}}$  is the settling time that the comparator output needs to have a stable level after VLD is switched from VLD  $\neq$  0 to a different VLD value from 2 to 15. The overdrive is assumed to be  $> 50 \text{ mV}$ .

(2) The recommended operating voltage range is limited to 3.6 V.

(3) The current consumption of the SVS module is not included in the  $I_{CC}$  current consumption data.

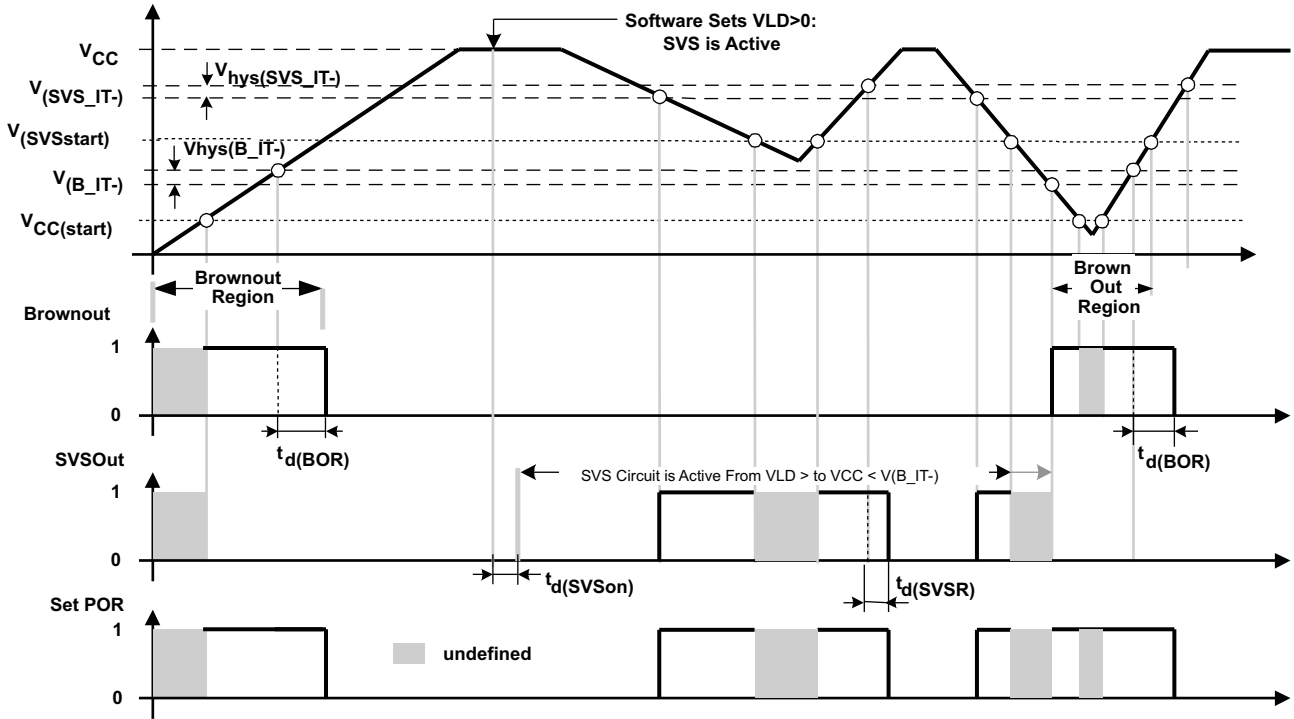


Figure 5-10. SVS Reset (SVSR) vs Supply Voltage

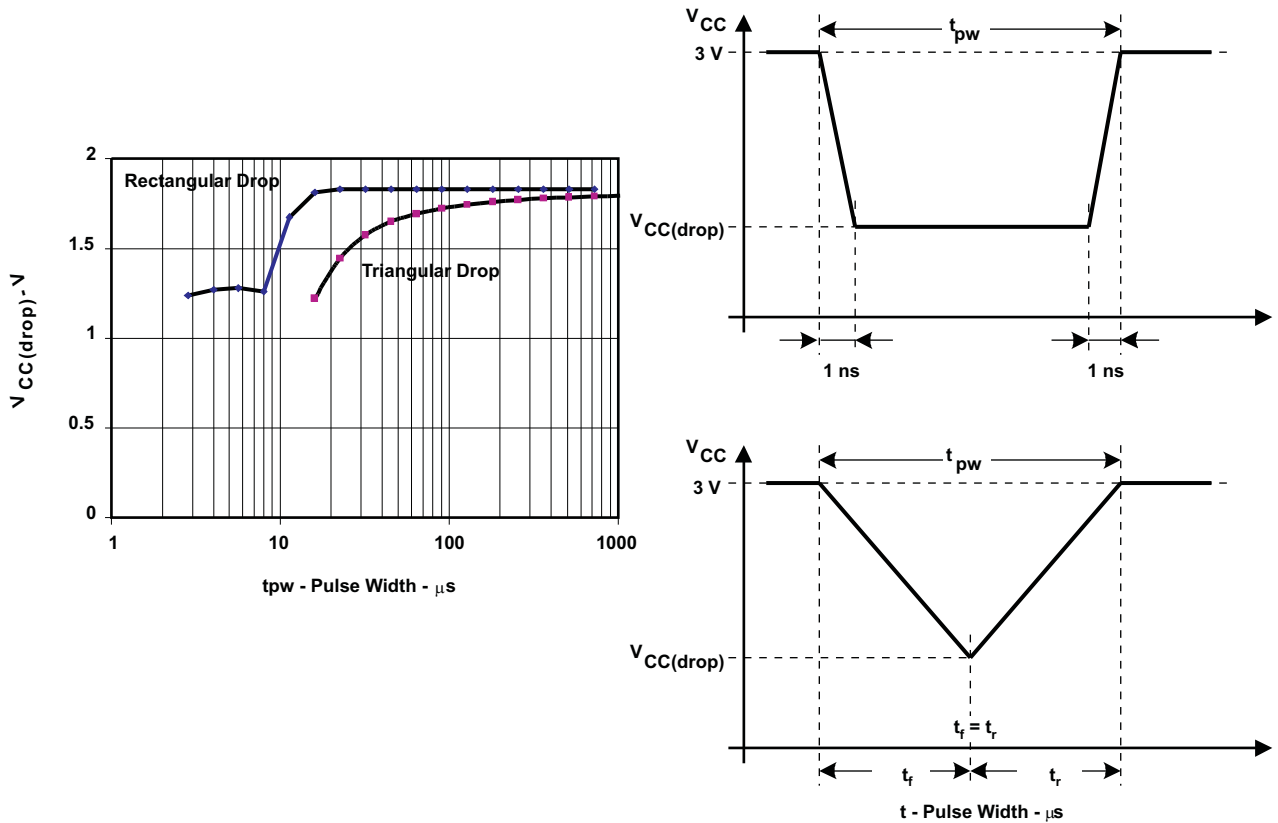


Figure 5-11.  $V_{CC(drop)}$  with a Square Voltage Drop and a Triangle Voltage Drop to Generate an SVS Signal

### 5.14 DCO

over recommended ranges of supply voltage and operating free-air temperature (unless otherwise noted)

| PARAMETER               | TEST CONDITIONS  | V <sub>CC</sub> | MIN  | TYP  | MAX  | UNIT |
|-------------------------|--|-----------------|------|------|------|------|
| f <sub>(DCOCLK)</sub>   | N <sub>(DCO)</sub> = 01Eh, FN <sub>8</sub> = FN <sub>4</sub> = FN <sub>3</sub> = FN <sub>2</sub> = 0, D = 2, DCOPLUS = 0   | 2.2 V, 3 V      |      | 1    |      | MHz  |
| f <sub>(DCO = 2)</sub>  | FN <sub>8</sub> = FN <sub>4</sub> = FN <sub>3</sub> = FN <sub>2</sub> = 0, DCOPLUS = 1   | 2.2 V           | 0.3  | 0.65 | 1.25 | MHz  |
|                         |  | 3 V             | 0.3  | 0.7  | 1.3  |      |
| f <sub>(DCO = 27)</sub> | FN <sub>8</sub> = FN <sub>4</sub> = FN <sub>3</sub> = FN <sub>2</sub> = 0, DCOPLUS = 1 <sup>(1)</sup>  | 2.2 V           | 2.5  | 5.6  | 10.5 | MHz  |
|                         |  | 3 V             | 2.7  | 6.1  | 11.3 |      |
| f <sub>(DCO = 2)</sub>  | FN <sub>8</sub> = FN <sub>4</sub> = FN <sub>3</sub> = FN <sub>2</sub> = 1, DCOPLUS = 1   | 2.2 V           | 0.7  | 1.3  | 2.3  | MHz  |
|                         |  | 3 V             | 0.8  | 1.5  | 2.5  |      |
| f <sub>(DCO = 27)</sub> | FN <sub>8</sub> = FN <sub>4</sub> = FN <sub>3</sub> = FN <sub>2</sub> = 1, DCOPLUS = 1 <sup>(1)</sup>  | 2.2 V           | 5.7  | 10.8 | 18   | MHz  |
|                         |  | 3 V             | 6.5  | 12.1 | 20   |      |
| f <sub>(DCO = 2)</sub>  | FN <sub>8</sub> = FN <sub>4</sub> = 0, FN <sub>3</sub> = 1, FN <sub>2</sub> = x, DCOPLUS = 1   | 2.2 V           | 1.2  | 2    | 3    | MHz  |
|                         |  | 3 V             | 1.3  | 2.2  | 3.5  |      |
| f <sub>(DCO = 27)</sub> | FN <sub>8</sub> = FN <sub>4</sub> = 0, FN <sub>3</sub> = 1, FN <sub>2</sub> = x, DCOPLUS = 1 <sup>(1)</sup>  | 2.2 V           | 9    | 15.5 | 25   | MHz  |
|                         |  | 3 V             | 10.3 | 17.9 | 28.5 |      |
| f <sub>(DCO = 2)</sub>  | FN <sub>8</sub> = 0, FN <sub>4</sub> = 1, FN <sub>3</sub> = FN <sub>2</sub> = x, DCOPLUS = 1   | 2.2 V           | 1.8  | 2.8  | 4.2  | MHz  |
|                         |  | 3 V             | 2.1  | 3.4  | 5.2  |      |
| f <sub>(DCO = 27)</sub> | FN <sub>8</sub> = 0, FN <sub>4</sub> = 1, FN <sub>3</sub> = FN <sub>2</sub> = x, DCOPLUS = 1 <sup>(1)</sup>  | 2.2 V           | 13.5 | 21.5 | 33   | MHz  |
|                         |  | 3 V             | 16   | 26.6 | 41   |      |
| f <sub>(DCO = 2)</sub>  | FN <sub>8</sub> = 1, FN <sub>4</sub> = 1 = FN <sub>3</sub> = FN <sub>2</sub> = x, DCOPLUS = 1  | 2.2 V           | 2.8  | 4.2  | 6.2  | MHz  |
|                         |  | 3 V             | 4.2  | 6.3  | 9.2  |      |
| f <sub>(DCO = 27)</sub> | FN <sub>8</sub> = 1, FN <sub>4</sub> = 1 = FN <sub>3</sub> = FN <sub>2</sub> = x, DCOPLUS = 1 <sup>(1)</sup>   | 2.2 V           | 21   | 32   | 46   | MHz  |
|                         |  | 3 V             | 30   | 46   | 70   |      |
| S <sub>n</sub>          | Step size between adjacent DCO taps:<br>S <sub>n</sub> = f <sub>(DCO(Tap n+1))</sub> / f <sub>(DCO(Tap n))</sub> (see Figure 5-13 for taps 21 to 27)                             | 1 < TAP ≤ 20    | 1.06 |      | 1.11 |      |
|                         |  | TAP = 27        | 1.07 |      | 1.17 |      |
| D <sub>t</sub>          | Temperature drift, N <sub>(DCO)</sub> = 01Eh,<br>FN <sub>8</sub> = FN <sub>4</sub> = FN <sub>3</sub> = FN <sub>2</sub> = 0, D = 2, DCOPLUS = 0 <sup>(2)</sup>                    | 2.2 V           | -0.2 | -0.3 | -0.4 | %°C  |
|                         |  | 3 V             | -0.2 | -0.3 | -0.4 |      |
| D <sub>V</sub>          | Drift with V <sub>CC</sub> variation, N <sub>(DCO)</sub> = 01Eh,<br>FN <sub>8</sub> = FN <sub>4</sub> = FN <sub>3</sub> = FN <sub>2</sub> = 0, D = 2, DCOPLUS = 0 <sup>(2)</sup> |                 | 0    | 5    | 15   | %/V  |

- (1) Do not exceed the maximum system frequency.
- (2) This parameter is not production tested.

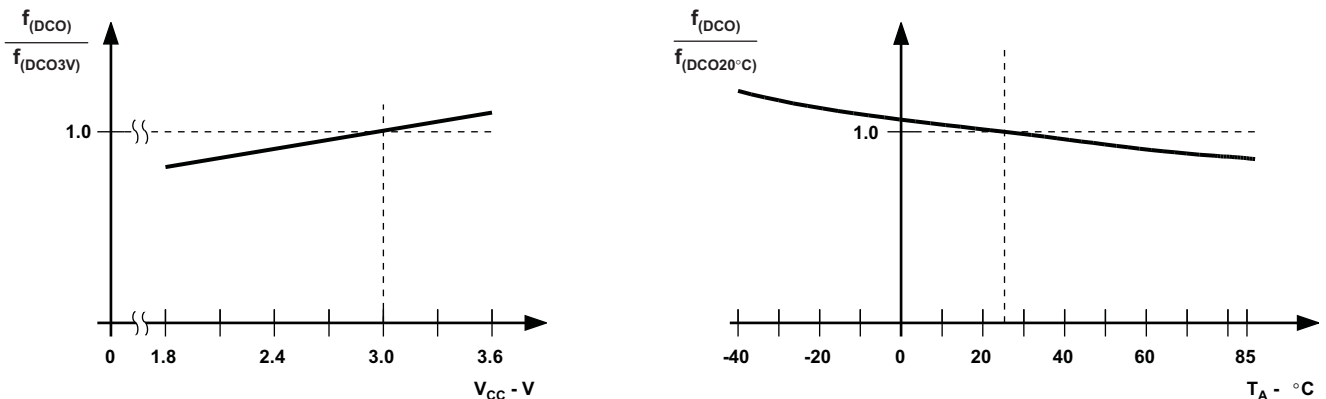


Figure 5-12. DCO Frequency vs Supply Voltage V<sub>CC</sub> and vs Ambient Temperature

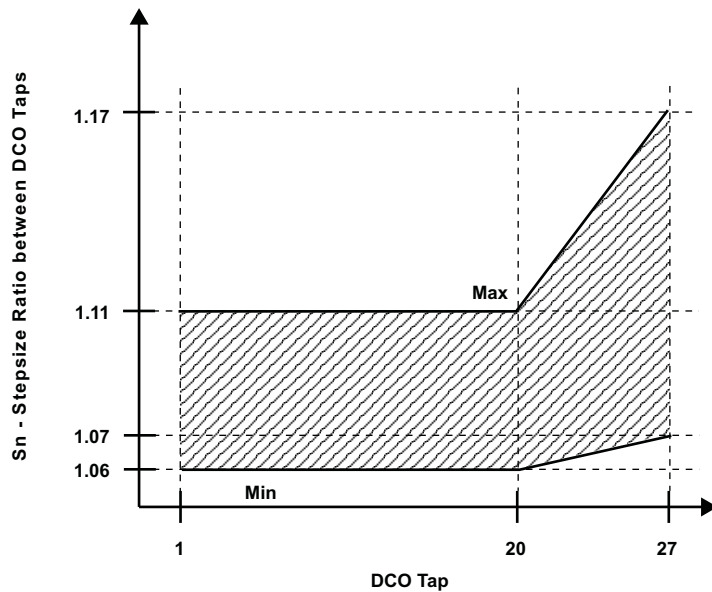


Figure 5-13. DCO Tap Step Size

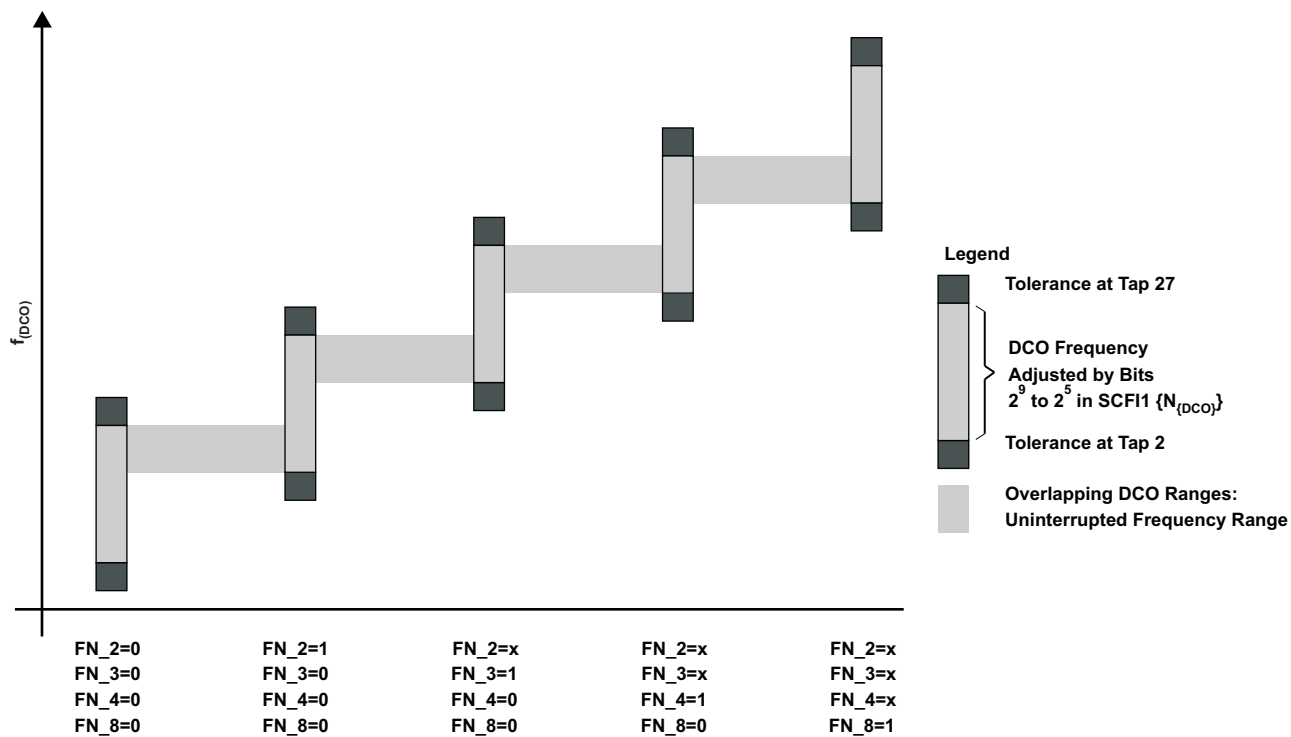


Figure 5-14. Five Overlapping DCO Ranges Controlled by FN\_x Bits

## 5.15 Crystal Oscillator, LFXT1, Low-Frequency Mode

over recommended ranges of supply voltage and operating free-air temperature (unless otherwise noted) <sup>(1)</sup>

| PARAMETER             |   | TEST CONDITIONS   | V <sub>CC</sub> | MIN | TYP   | MAX   | UNIT |
|-----------------------|---|---|-----------------|-----|-------|-------|------|
| f <sub>LFXT1,LF</sub> | LFXT1 oscillator crystal frequency, LF mode 0, 1              | XTS = 0, LFXT1Sx = 0 or 1   | 1.8 V to 3.6 V  |     | 32768 |       | Hz   |
| OA <sub>LF</sub>      | Oscillation allowance for LF crystals                         | XTS = 0, LFXT1Sx = 0, f <sub>LFXT1,LF</sub> = 32768 kHz, C <sub>L,eff</sub> = 6 pF  |                 |     | 500   |       | kΩ   |
|                       |   | XTS = 0, LFXT1Sx = 0, f <sub>LFXT1,LF</sub> = 32768 kHz, C <sub>L,eff</sub> = 12 pF |                 |     | 200   |       |      |
| C <sub>L,eff</sub>    | Integrated effective load capacitance, LF mode <sup>(2)</sup> | XTS = 0, XCAPx = 0  |                 |     | 1     |       | pF   |
|                       |   | XTS = 0, XCAPx = 1  |                 |     | 5.5   |       |      |
|                       |   | XTS = 0, XCAPx = 2  |                 |     | 8.5   |       |      |
|                       |   | XTS = 0, XCAPx = 3  |                 |     | 11    |       |      |
|                       | Duty cycle, LF mode   | XTS = 0, Measured at P1.5/ACLK, f <sub>LFXT1,LF</sub> = 32768Hz                     | 2.2 V, 3 V      | 30  | 50    | 70    | %    |
| f <sub>Fault,LF</sub> | Oscillator fault frequency, LF mode <sup>(3)</sup>            | XTS = 0, XCAPx = 0, LFXT1Sx = 3 <sup>(4)</sup>                                      |                 |     |       |       |      |
|                       |   |   | 2.2 V, 3 V      | 10  |       | 10000 | Hz   |

- (1) To improve EMI on the low-power LFXT1 oscillator, particularly in the LF mode (32 kHz), the following guidelines should be observed.
- Keep the trace between the MCU and the crystal as short as possible.
  - Design a good ground plane around the oscillator pins.
  - Prevent crosstalk from other clock or data lines into oscillator pins XIN and XOUT.
  - Avoid running PCB traces underneath or adjacent to the XIN and XOUT pins.
  - Use assembly materials and processes that avoid any parasitic load on the oscillator XIN and XOUT pins.
  - If conformal coating is used, ensure that it does not induce capacitive or resistive leakage between the oscillator pins.
  - Do not route the XOUT line to the JTAG header to support the serial programming adapter as shown in other documentation. This signal is no longer required for the serial programming adapter.
- (2) Includes parasitic bond and package capacitance (approximately 2 pF per pin). Since the PCB adds additional capacitance it is recommended to verify the correct load by measuring the ACLK frequency. For a correct setup the effective load capacitance should always match the specification of the used crystal.
- (3) Frequencies below the MIN specification set the fault flag, frequencies above the MAX specification do not set the fault flag, and frequencies in between might set the flag.
- (4) Measured with logic level input frequency but also applies to operation with crystals.



## 5.16 Crystal Oscillator, LFXT1, High-Frequency Mode

over recommended ranges of supply voltage and operating free-air temperature (unless otherwise noted)

| PARAMETER          |  | TEST CONDITIONS       | V <sub>CC</sub> | MIN  | TYP | MAX | UNIT |
|--------------------|--|-----------------------|-----------------|------|-----|-----|------|
| f <sub>LFXT1</sub> | LFXT1 oscillator crystal frequency                               | Ceramic resonator     | 1.8 V to 3.6 V  | 0.45 |     | 8   | MHz  |
|                    |  | Crystal resonator     | 1.8 V to 3.6 V  | 1    |     | 8   |      |
| C <sub>L,eff</sub> | Integrated effective load capacitance, HF mode <sup>(1)(2)</sup> |                       |                 |      | 1   |     | pF   |
|                    | Duty cycle   | Measured at P1.5/ACLK | 2.2 V, 3 V      | 40   | 50  | 60  | %    |

- (1) Includes parasitic bond and package capacitance (approximately 2 pF per pin). Because the PCB adds additional capacitance, it is recommended to verify the correct load by measuring the ACLK frequency. For a correct setup the effective load capacitance should always match the specification of the used crystal.
- (2) Requires external capacitors at both terminals. Values are specified by crystal manufacturers.

## 5.17 Crystal Oscillator, XT2 Oscillator, High-Frequency Mode

over recommended ranges of supply voltage and operating free-air temperature (unless otherwise noted)

| PARAMETER          |  | TEST CONDITIONS        | V <sub>CC</sub> | MIN  | TYP | MAX | UNIT |
|--------------------|--|------------------------|-----------------|------|-----|-----|------|
| f <sub>XT2</sub>   | XT2 oscillator crystal frequency                                 | Ceramic resonator      | 1.8 V to 3.6 V  | 0.45 |     | 8   | MHz  |
|                    |  | Crystal resonator      | 1.8 V to 3.6 V  | 1    |     | 8   |      |
| C <sub>L,eff</sub> | Integrated effective load capacitance, HF mode <sup>(1)(2)</sup> |                        |                 |      | 1   |     | pF   |
|                    | Duty cycle   | Measured at P1.4/SMCLK | 2.2 V, 3 V      | 40   | 50  | 60  | %    |

- (1) Includes parasitic bond and package capacitance (approximately 2 pF per pin). Because the PCB adds additional capacitance, it is recommended to verify the correct load by measuring the ACLK frequency. For a correct setup the effective load capacitance should always match the specification of the used crystal.
- (2) Requires external capacitors at both terminals. Values are specified by crystal manufacturers.

## 5.18 RAM

over recommended ranges of supply voltage and operating free-air temperature (unless otherwise noted)

| PARAMETER | TEST CONDITIONS           | MIN | MAX | UNIT |
|-----------|---------------------------|-----|-----|------|
| VRAMh     | CPU halted <sup>(1)</sup> | 1.6 |     | V    |

- (1) This parameter defines the minimum supply voltage when the data in program memory RAM remain unchanged. No program execution should take place during this supply voltage condition.

## 5.19 LCD\_A

over recommended ranges of supply voltage and operating free-air temperature (unless otherwise noted)

| PARAMETER            |                                       | TEST CONDITIONS   | V <sub>CC</sub> | MIN  | TYP             | MAX | UNIT |
|----------------------|---------------------------------------|---|-----------------|------|-----------------|-----|------|
| V <sub>CC(LCD)</sub> | Supply voltage                        | Charge pump enabled<br>(LCDPEN = 1, VLCDx > 0000)   |                 | 2.2  |                 | 3.6 | V    |
| C <sub>LCD</sub>     | Capacitor on LCDCAP <sup>(1)</sup>    | Charge pump enabled<br>(LCDPEN = 1, VLCDx > 0000)   |                 | 4.7  |                 |     | μF   |
| I <sub>CC(LCD)</sub> | Average supply current <sup>(2)</sup> | V <sub>LCD(typ)</sub> = 3 V, LCDPEN = 1,<br>VLCDx = 1000, all segments on, f <sub>LCD</sub> = f <sub>ACLK</sub> /32,<br>no LCD connected <sup>(3)</sup> , T <sub>A</sub> = 25°C | 2.2 V           |      | 3.8             |     | μA   |
| f <sub>LCD</sub>     | LCD frequency                         |   |                 |      |                 | 1.1 | kHz  |
| V <sub>LCD</sub>     | LCD voltage                           | VLCDx = 0000  |                 |      | V <sub>CC</sub> |     | V    |
|                      |                                       | VLCDx = 0001  |                 |      | 2.60            |     |      |
|                      |                                       | VLCDx = 0010  |                 |      | 2.66            |     |      |
|                      |                                       | VLCDx = 0011  |                 |      | 2.72            |     |      |
|                      |                                       | VLCDx = 0100  |                 |      | 2.78            |     |      |
|                      |                                       | VLCDx = 0101  |                 |      | 2.84            |     |      |
|                      |                                       | VLCDx = 0110  |                 |      | 2.90            |     |      |
|                      |                                       | VLCDx = 0111  |                 |      | 2.96            |     |      |
|                      |                                       | VLCDx = 1000  |                 |      | 3.02            |     |      |
|                      |                                       | VLCDx = 1001  |                 |      | 3.08            |     |      |
|                      |                                       | VLCDx = 1010  |                 |      | 3.14            |     |      |
|                      |                                       | VLCDx = 1011  |                 |      | 3.20            |     |      |
|                      |                                       | VLCDx = 1100  |                 |      | 3.26            |     |      |
|                      |                                       | VLCDx = 1101  |                 |      | 3.32            |     |      |
| VLCDx = 1110         |                                       |   | 3.38            |      |                 |     |      |
| VLCDx = 1111         |                                       |   | 3.44            | 3.60 |                 |     |      |
| R <sub>LCD</sub>     | LCD driver output impedance           | V <sub>LCD</sub> = 3 V, CPEN = 1, VLCDx = 1000, I <sub>LOAD</sub> =<br>±10 μA   | 2.2 V           |      |                 | 10  | kΩ   |

(1) Enabling the internal charge pump with an external capacitor smaller than the minimum specified might damage the device.

(2) Refer to the supply current specifications I<sub>(LPM3)</sub> for additional current specifications with the LCD\_A module active.

(3) Connecting an actual display increases the current consumption depending on the size of the LCD.

## 5.20 Comparator\_A<sup>(1)</sup>

over recommended ranges of supply voltage and operating free-air temperature (unless otherwise noted)

| PARAMETER  | TEST CONDITIONS   | V <sub>CC</sub> | MIN  | TYP                 | MAX  | UNIT |
|--|---|-----------------|------|---------------------|------|------|
| I <sub>(CC)</sub>  | CAON = 1, CARSEL = 0, CAREF = 0   | 2.2 V           |      | 25                  | 40   | μA   |
|  |   | 3 V             |      | 45                  | 60   |      |
| I <sub>(Refladder/RefDiode)</sub>                        | CAON = 1, CARSEL = 0, CAREF = (1, 2, 3),<br>No load at P1.6/CA0 and P1.7/CA1  | 2.2 V           |      | 30                  | 50   | μA   |
|  |   | 3 V             |      | 45                  | 80   |      |
| V <sub>(Ref025)</sub>                                    | $\frac{\text{Voltage @ } 0.25 V_{CC} \text{ node}}{V_{CC}}$<br>PCA0 = 1, CARSEL = 1, CAREF = 1,<br>No load at P1.6/CA0 and P1.7/CA1 | 2.2 V, 3 V      | 0.23 | 0.24                | 0.25 |      |
| V <sub>(Ref050)</sub>                                    | $\frac{\text{Voltage @ } 0.5 V_{CC} \text{ node}}{V_{CC}}$<br>PCA0 = 1, CARSEL = 1, CAREF = 2,<br>No load at P1.6/CA0 and P1.7/CA1  | 2.2 V, 3 V      | 0.47 | 0.48                | 0.5  |      |
| V <sub>(RefVT)</sub>                                     | See Figure 5-15 and Figure 5-16<br>PCA0 = 1, CARSEL = 1, CAREF = 3,<br>No load at P1.6/CA0 and P1.7/CA1,<br>T <sub>A</sub> = 85°C   | 2.2 V           | 390  | 480                 | 540  | mV   |
|  |   | 3 V             | 400  | 490                 | 550  |      |
| V <sub>IC</sub>  | Common-mode input voltage range<br>CAON = 1   | 2.2 V, 3 V      | 0    | V <sub>CC</sub> – 1 |      | V    |
| V <sub>p</sub> – V <sub>s</sub>                          | Offset voltage  | 2.2 V, 3 V      | –30  | 30                  |      | mV   |
| V <sub>hys</sub>   | Input hysteresis<br>CAON = 1  | 2.2 V, 3 V      | 0    | 0.7                 | 1.4  | mV   |
| t <sub>(response LH)</sub><br>t <sub>(response HL)</sub> | See (2)<br>T <sub>A</sub> = 25°C,<br>Overdrive 10 mV, without filter: CAF = 0   | 2.2 V           | 80   | 165                 | 3..  | ns   |
|  |   | 3 V             | 70   | 120                 | 240  |      |
|  |   | 2.2 V           | 1.4  | 1.9                 | 2.8  | μs   |
|  |   | 3 V             | 0.9  | 1.5                 | 2.2  |      |

(1) The leakage current for the Comparator\_A terminals is identical to I<sub>kg(Px.x)</sub> specification.

(2) The response time is measured at P1.6/CA0 with an input voltage step and the Comparator\_A already enabled (CAON = 1). If CAON is set at the same time, a settling time of up to 300 ns is added to the response time.

5.21 Typical Characteristics – Comparator\_A

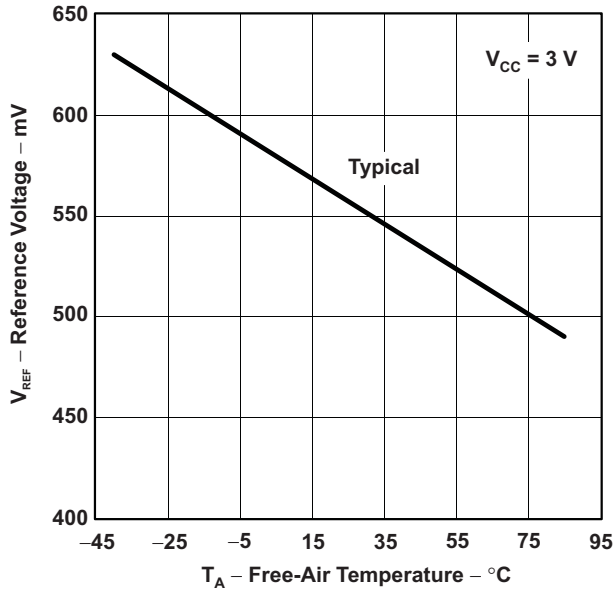


Figure 5-15. Reference Voltage vs Free-Air Temperature

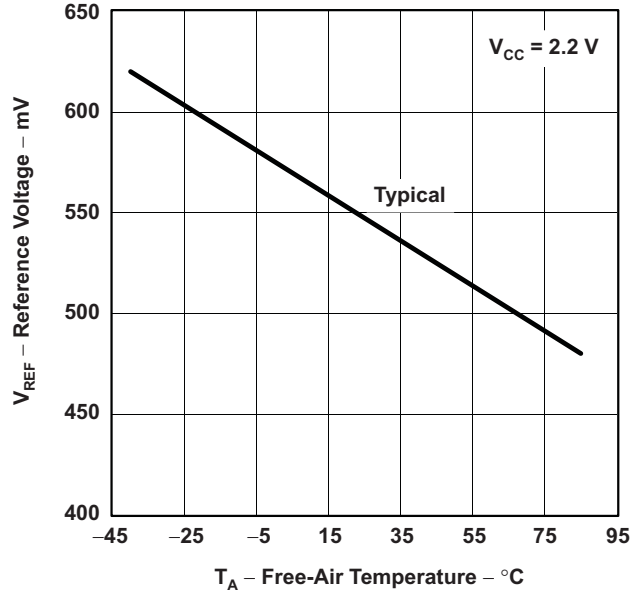


Figure 5-16. Reference Voltage vs Free-Air Temperature

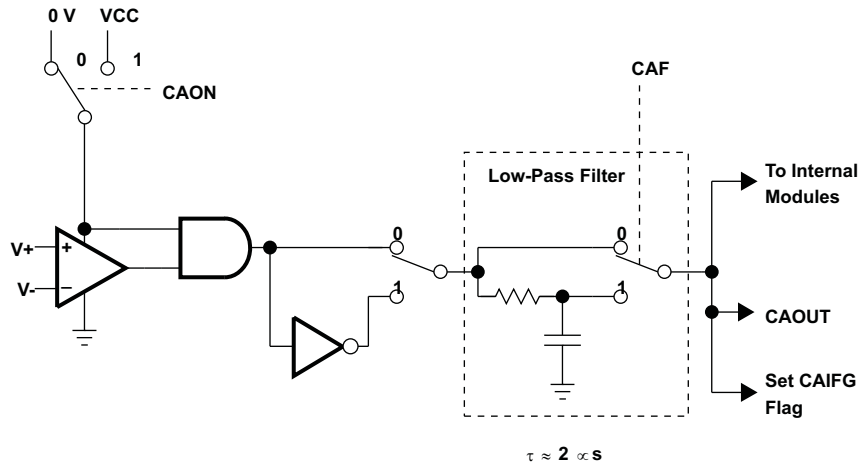


Figure 5-17. Block Diagram of Comparator\_A Module

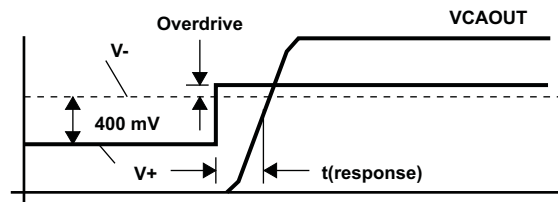


Figure 5-18. Overdrive Definition

## 5.22 SD16\_A, Power Supply and Recommended Operating Conditions

over recommended ranges of supply voltage and operating free-air temperature (unless otherwise noted)

| PARAMETER         |  | TEST CONDITIONS  | V <sub>CC</sub> | MIN                           | TYP | MAX  | UNIT |    |
|-------------------|--|--|-----------------|-------------------------------|-----|------|------|----|
| AV <sub>CC</sub>  | Analog supply voltage range                        | AV <sub>CC</sub> = DV <sub>CC</sub> = V <sub>CC</sub> ,<br>AV <sub>SS</sub> = DV <sub>SS</sub> = V <sub>SS</sub> = 0 V |                 | 2.5                           |     | 3.6  | V    |    |
| I <sub>SD16</sub> | Analog supply current including internal reference | SD16LP = 0,<br>f <sub>SD16</sub> = 1 MHz,<br>SD16OSR = 256   | 3 V             | SD16BUFx = 00, GAIN: 1, 2     |     | 750  | 1050 | μA |
|                   |  |  |                 | SD16BUFx = 00, GAIN: 4, 8, 16 |     | 830  | 1150 |    |
|                   |  |  |                 | SD16BUFx = 00, GAIN: 32       |     | 1150 | 1700 |    |
|                   |  | SD16LP = 1,<br>f <sub>SD16</sub> = 0.5 MHz,<br>SD16OSR = 256   |                 | SD16BUFx = 00, GAIN: 1        |     | 730  | 1030 |    |
|                   |  |  |                 | SD16BUFx = 00, GAIN: 32       |     | 830  | 1150 |    |
|                   |  | SD16LP = 0,<br>SD16OSR = 256   |                 | SD16BUFx = 01, GAIN: 1        |     | 850  |      |    |
|                   |  |  |                 | SD16BUFx = 10, GAIN: 1        |     | 1000 |      |    |
|                   |  | SD16BUFx = 11, GAIN: 1   | 1130            |                               |     |      |      |    |
| f <sub>SD16</sub> | Analog front-end input clock frequency             | SD16LP = 0 (Low power mode disabled)   | 3 V             | 0.03                          | 1   | 1.1  | MHz  |    |
|                   |  | SD16LP = 1 (Low power mode enabled)  |                 | 0.03                          | 0.5 |      |      |    |

## 5.23 SD16\_A, Input Range

over recommended ranges of supply voltage and operating free-air temperature (unless otherwise noted)

| PARAMETER           |   | TEST CONDITIONS                             | V <sub>CC</sub> | MIN                      | TYP | MAX                      | UNIT |
|---------------------|---|---|-----------------|--------------------------|-----|--------------------------|------|
| V <sub>I</sub>      | Absolute input voltage range  | SD16BUFx = 00                               |                 | AV <sub>SS</sub> – 0.1   |     | AV <sub>CC</sub>         | V    |
|                     |   | SD16BUFx > 00                               |                 | AV <sub>SS</sub> + 0.2   |     | AV <sub>CC</sub> – 1.2 V |      |
| V <sub>IC</sub>     | Common-mode input voltage range   | SD16BUFx = 00                               |                 | AV <sub>SS</sub> – 0.1   |     | AV <sub>CC</sub>         | V    |
|                     |   | SD16BUFx > 00                               |                 | AV <sub>SS</sub> + 0.2   |     | AV <sub>CC</sub> – 1.2 V |      |
| V <sub>ID,FSR</sub> | Differential full scale input voltage range <sup>(1)</sup>                | Bipolar mode, SD16UNI = 0                   |                 | –V <sub>REF</sub> /2GAIN |     | +V <sub>REF</sub> /2GAIN | mV   |
|                     |   | Unipolar mode, SD16UNI = 1                  |                 | 0                        |     | +V <sub>REF</sub> /2GAIN |      |
| V <sub>ID</sub>     | Differential input voltage range for specified performance <sup>(1)</sup> | SD16REFON = 1                               |                 | SD16GAINx = 1            |     | ±500                     | mV   |
|                     |   |   |                 | SD16GAINx = 2            |     | ±250                     |      |
|                     |   |   |                 | SD16GAINx = 4            |     | ±125                     |      |
|                     |   |   |                 | SD16GAINx = 8            |     | ±62                      |      |
|                     |   |   |                 | SD16GAINx = 16           |     | ±31                      |      |
|                     |   |   |                 | SD16GAINx = 32           |     | ±15                      |      |
| Z <sub>I</sub>      | Input impedance (one input pin to AV <sub>SS</sub> )                      | f <sub>SD16</sub> = 1 MHz,<br>SD16BUFx = 00 | 3 V             | SD16GAINx = 1            |     | 200                      | kΩ   |
|                     |   |   |                 | SD16GAINx = 32           |     | 75                       |      |
|                     |   | f <sub>SD16</sub> = 1 MHz,<br>SD16BUFx = 01 |                 | SD16GAINx = 1            |     | >10                      |      |
| Z <sub>ID</sub>     | Differential input impedance (IN+ to IN-)                                 | f <sub>SD16</sub> = 1 MHz,<br>SD16BUFx = 00 | 3 V             | SD16GAINx = 1            |     | 300                      | kΩ   |
|                     |   |   |                 | SD16GAINx = 32           |     | 100                      |      |
|                     |   | f <sub>SD16</sub> = 1 MHz,<br>SD16BUFx = 01 |                 | SD16GAINx = 1            |     | >10                      |      |

(1) The analog input range depends on the reference voltage applied to V<sub>REF</sub>. If V<sub>REF</sub> is sourced externally, the full-scale range is defined by V<sub>FSR+</sub> = +(V<sub>REF</sub> / 2) / GAIN and V<sub>FSR-</sub> = –(V<sub>REF</sub> / 2) / GAIN. The analog input range should not exceed 80% of V<sub>FSR+</sub> or V<sub>FSR-</sub>.

## 5.24 SD16\_A, Performance

 $f_{SD16} = 30 \text{ kHz}$ ,  $SD16REFON = 1$ ,  $SD16BUFx = 01$ 

over recommended ranges of supply voltage and operating free-air temperature (unless otherwise noted)

| PARAMETER           |                                    | TEST CONDITIONS  | $V_{CC}$ | MIN  | TYP  | MAX  | UNIT   |
|---------------------|------------------------------------|--|----------|------|------|------|--------|
| SINAD               | Signal-to-noise + distortion ratio | SD16GAINx = 1, Signal Amplitude = 500 mV, SD16OSRx = 256         | 3 V      |      | 84   |      | dB     |
|                     |                                    | SD16GAINx = 1, Signal Amplitude = 500 mV, SD16OSRx = 512         |          |      |      |      |        |
|                     |                                    | SD16GAINx = 1, Signal Amplitude = 500 mV, SD16OSRx = 1024        |          |      |      |      |        |
| G                   | Nominal gain                       | SD16GAINx = 1, SD16OSRx = 1024                                   |          | 0.97 | 1.00 | 1.02 |        |
| dG/dT               | Gain temperature drift             | SD16GAINx = 1, SD16OSRx = 1024                                   |          |      | 15   |      | ppm/°C |
| dG/dV <sub>CC</sub> | Gain supply voltage drift          | SD16GAINx = 1, SD16OSRx = 1024, V <sub>CC</sub> = 2.5 V to 3.6 V |          |      | 0.35 |      | %/V    |

## 5.25 SD16\_A, Performance

 $f_{SD16} = 1 \text{ MHz}$ ,  $SD16OSRx = 256$ ,  $SD16REFON = 1$ ,  $SD16BUFx = 00$ 
 $V_{CC} = 3 \text{ V}$ , over recommended operating free-air temperature (unless otherwise noted)

| PARAMETER            |                                      | TEST CONDITIONS  | MIN  | TYP  | MAX  | UNIT |
|----------------------|--------------------------------------|--|------|------|------|------|
| SINAD                | Signal-to-noise + distortion ratio   | SD16GAINx = 1, Signal Amplitude = 500 mV   | 83.5 | 85   |      | dB   |
|                      |                                      | SD16GAINx = 2, Signal Amplitude = 250 mV   |      |      |      |      |
|                      |                                      | SD16GAINx = 4, Signal Amplitude = 125 mV   |      |      |      |      |
|                      |                                      | SD16GAINx = 8, Signal Amplitude = 62 mV  |      |      |      |      |
|                      |                                      | SD16GAINx = 16, Signal Amplitude = 31 mV   |      |      |      |      |
|                      |                                      | SD16GAINx = 32, Signal Amplitude = 15 mV   |      |      |      |      |
| G                    | Nominal gain                         | SD16GAINx = 1  | 0.97 | 1.00 | 1.02 |      |
|                      |                                      | SD16GAINx = 2  |      |      |      |      |
|                      |                                      | SD16GAINx = 4  |      |      |      |      |
|                      |                                      | SD16GAINx = 8  |      |      |      |      |
|                      |                                      | SD16GAINx = 16   |      |      |      |      |
|                      |                                      | SD16GAINx = 32   |      |      |      |      |
| E <sub>OS</sub>      | Offset error                         | SD16GAINx = 1  |      |      | ±0.2 | %FSR |
|                      |                                      | SD16GAINx = 32   |      |      |      |      |
| dE <sub>OS</sub> /dT | Offset error temperature coefficient | SD16GAINx = 1  |      |      | ±4   | ±20  |
|                      |                                      | SD16GAINx = 32   |      |      | ±20  | ±100 |
| CMRR                 | Common-mode rejection ratio          | SD16GAINx = 1, Common-mode input signal: V <sub>ID</sub> = 500 mV, f <sub>IN</sub> = 50 Hz or 100 Hz |      |      | >90  | dB   |
|                      |                                      | SD16GAINx = 32, Common-mode input signal: V <sub>ID</sub> = 16 mV, f <sub>IN</sub> = 50 Hz or 100 Hz |      |      | >75  |      |
| PSRR                 | Power supply rejection ratio         | SD16GAINx = 1  |      |      | >80  | dB   |

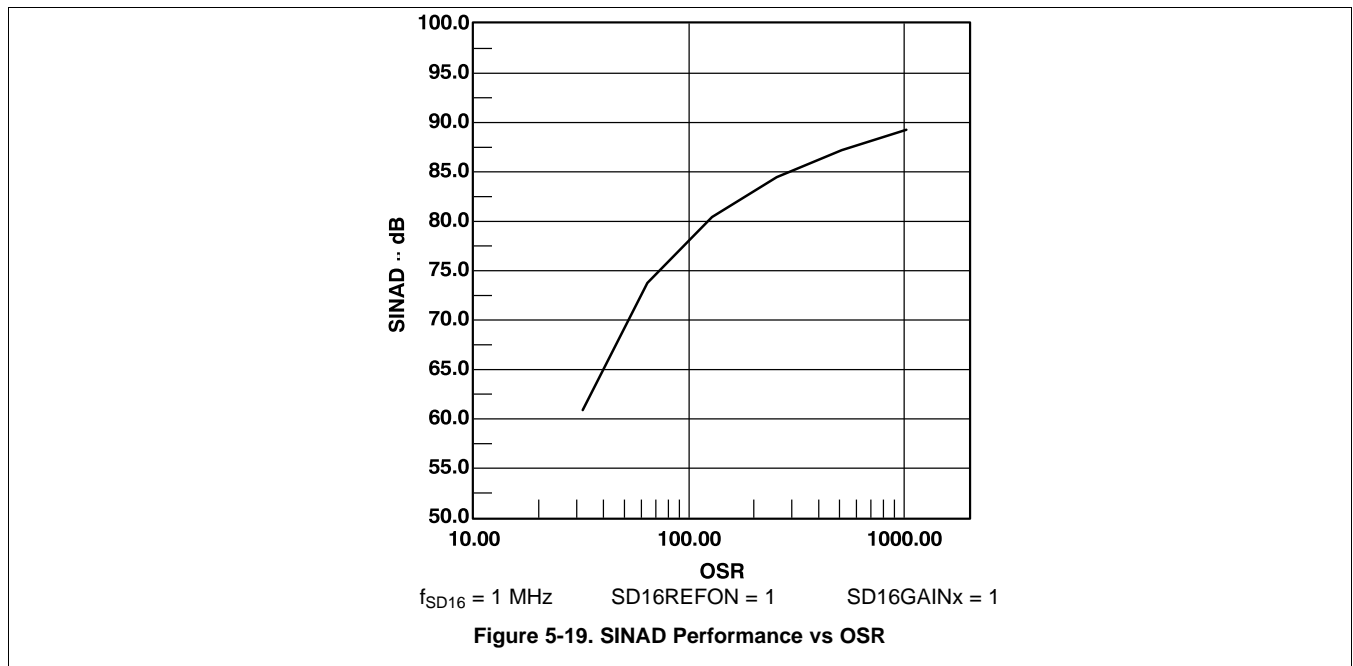
### 5.26 SD16\_A, Linearity

$f_{SD16} = 1 \text{ MHz}$ ,  $SD16REFON = 1$ ,  $SD16BUFx = 00$

over recommended ranges of supply voltage and operating free-air temperature (unless otherwise noted)

| PARAMETER | TEST CONDITIONS   | V <sub>CC</sub> | TYP | UNIT |
|-----------|---|-----------------|-----|------|
| INL       | Integral nonlinearity                                       | 3 V             | 1.5 | LSB  |
|           |   |                 | 6   |      |
|           |   |                 | 0.8 |      |
|           |   |                 | 3.5 |      |
|           | SD16OSR = 256, SD16GAINx = 000b, Signal Amplitude = 500 mV  |                 |     |      |
|           | SD16OSR = 256, SD16GAINx = 101b, Signal Amplitude = 15 mV   |                 |     |      |
|           | SD16OSR = 1024, SD16GAINx = 000b, Signal Amplitude = 500 mV |                 |     |      |
|           | SD16OSR = 1024, SD16GAINx = 101b, Signal Amplitude = 15 mV  |                 |     |      |

### 5.27 Typical Characteristics, SD16\_A SINAD Performance Over OSR



## 5.28 SD16\_A, Temperature Sensor and Built-in V<sub>CC</sub> Sense

over recommended ranges of supply voltage and operating free-air temperature (unless otherwise noted)<sup>(1)</sup>

| PARAMETER                  |                                      | TEST CONDITIONS   | V <sub>CC</sub> | MIN  | TYP  | MAX  | UNIT |
|----------------------------|--------------------------------------|---|-----------------|------|------|------|------|
| TC <sub>Sensor</sub>       | Sensor temperature coefficient       | See <sup>(2)</sup>  |                 | 1.18 | 1.32 | 1.46 | mV/K |
| V <sub>Offset,Sensor</sub> | Sensor offset voltage                | See <sup>(2)</sup>  |                 | -100 |      | 100  | mV   |
| V <sub>Sensor</sub>        | Sensor output voltage <sup>(3)</sup> | Temperature sensor voltage at T <sub>A</sub> = 85°C               | 3 V             | 435  | 475  | 515  | mV   |
|                            |                                      | Temperature sensor voltage at T <sub>A</sub> = 25°C               |                 | 355  | 395  | 435  |      |
|                            |                                      | Temperature sensor voltage at T <sub>A</sub> = 0°C <sup>(2)</sup> |                 | 320  | 360  | 400  |      |
| V <sub>CC,Sense</sub>      | V <sub>CC</sub> divider at input 5   | f <sub>SD16</sub> = 32 kHz, SD16OSRx = 256, SD16REFON = 1         |                 | 0.08 | 1/11 | 0.1  | V    |

(1) Results based on characterization and/or production test, not TC<sub>Sensor</sub> or V<sub>Offset,sensor</sub>.

(2) Not production tested, limits characterized.

(3) The following formula can be used to calculate the temperature sensor output voltage:

$$V_{\text{Sensor,typ}} = TC_{\text{Sensor}} (273 + T [^{\circ}\text{C}]) + V_{\text{Offset,sensor}} [\text{mV}]$$

## 5.29 SD16\_A, Built-In Voltage Reference

over recommended ranges of supply voltage and operating free-air temperature (unless otherwise noted)

| PARAMETER         |  | TEST CONDITIONS  | V <sub>CC</sub> | MIN  | TYP  | MAX  | UNIT   |
|-------------------|--|--|-----------------|------|------|------|--------|
| V <sub>REF</sub>  | Internal reference voltage               | SD16REFON = 1, SD16VMIDON = 0                                | 3 V             | 1.14 | 1.20 | 1.26 | V      |
| I <sub>REF</sub>  | Reference supply current                 | SD16REFON = 1, SD16VMIDON = 0                                | 3 V             |      | 175  | 260  | μA     |
| TC                | Temperature coefficient                  | SD16REFON = 1, SD16VMIDON = 0 <sup>(1)</sup>                 | 3 V             |      | 18   | 50   | ppm/°C |
| C <sub>REF</sub>  | V <sub>REF</sub> load capacitance        | SD16REFON = 1, SD16VMIDON = 0 <sup>(2)</sup>                 |                 |      | 100  |      | nF     |
| I <sub>LOAD</sub> | V <sub>REF(I)</sub> maximum load current | SD16REFON = 1, SD16VMIDON = 0                                | 3 V             |      |      | ±200 | nA     |
| t <sub>ON</sub>   | Turn-on time                             | SD16REFON = 0 → 1, SD16VMIDON = 0, C <sub>REF</sub> = 100 nF | 3 V             |      | 5    |      | ms     |
| PSRR              | Line regulation                          | SD16REFON = 1, SD16VMIDON = 0                                | 3 V             |      | 100  |      | μV/V   |

(1) Calculated using the box method: (MAX(--40...85°C) -- MIN(--40...85°C))/MIN(--40...85°C)/(85C -- (--40°C))

(2) There is no capacitance required on V<sub>REF</sub>. However, TI recommends a capacitance of at least 100 nF to reduce any reference voltage noise.

## 5.30 SD16\_A, Reference Output Buffer

over recommended ranges of supply voltage and operating free-air temperature (unless otherwise noted)

| PARAMETER             |  | TEST CONDITIONS  | V <sub>CC</sub> | MIN | TYP | MAX | UNIT |
|-----------------------|--|--|-----------------|-----|-----|-----|------|
| V <sub>REF,BUF</sub>  | Reference buffer output voltage                              | SD16REFON = 1, SD16VMIDON = 1                                | 3 V             |     | 1.2 |     | V    |
| I <sub>REF,BUF</sub>  | Reference supply + reference output buffer quiescent current | SD16REFON = 1, SD16VMIDON = 1                                | 3 V             |     | 385 | 600 | μA   |
| C <sub>REF(O)</sub>   | Required load capacitance on V <sub>REF</sub>                | SD16REFON = 1, SD16VMIDON = 1                                |                 | 470 |     |     | nF   |
| I <sub>LOAD,Max</sub> | Maximum load current on V <sub>REF</sub>                     | SD16REFON = 1, SD16VMIDON = 1                                | 3 V             |     |     | ±1  | mA   |
|                       | Maximum voltage variation vs load current                    | I <sub>LOAD</sub>   = 0 to 1 mA                              | 3 V             | -15 |     | +15 | mV   |
| t <sub>ON</sub>       | Turn-on time   | SD16REFON = 0 → 1, SD16VMIDON = 1, C <sub>REF</sub> = 470 nF | 3 V             |     | 100 |     | μs   |

## 5.31 SD16\_A, External Reference Input

over recommended ranges of supply voltage and operating free-air temperature (unless otherwise noted)

| PARAMETER           |                     | TEST CONDITIONS | V <sub>CC</sub> | MIN | TYP  | MAX | UNIT |
|---------------------|---------------------|-----------------|-----------------|-----|------|-----|------|
| V <sub>REF(I)</sub> | Input voltage range | SD16REFON = 0   | 3 V             | 1.0 | 1.25 | 1.5 | V    |
| I <sub>REF(I)</sub> | Input current       | SD16REFON = 0   | 3 V             |     |      | 50  | nA   |



### 5.32 12-Bit DAC, Supply Specifications

over recommended ranges of supply voltage and operating free-air temperature (unless otherwise noted)

| PARAMETER        |  | TEST CONDITIONS   | V <sub>CC</sub> | MIN  | TYP | MAX  | UNIT |
|------------------|--|---|-----------------|------|-----|------|------|
| AV <sub>CC</sub> | Analog supply voltage  | AV <sub>CC</sub> = DV <sub>CC</sub> , AV <sub>SS</sub> = DV <sub>SS</sub> = 0 V                       |                 | 2.20 |     | 3.60 | V    |
| I <sub>DD</sub>  | Supply current, single DAC channel <sup>(1)</sup> <sup>(2)</sup> | DAC12AMP <sub>x</sub> = 2, DAC12IR = 0, DAC12_xDAT = 0800h  | 2.2 V, 3 V      |      | 50  | 110  | μA   |
|                  |  | DAC12AMP <sub>x</sub> = 2, DAC12IR = 1, DAC12_xDAT = 0800h, V <sub>REF,DAC12</sub> = AV <sub>CC</sub> |                 |      | 50  | 110  |      |
|                  |  | DAC12AMP <sub>x</sub> = 5, DAC12IR = 1, DAC12_xDAT = 0800h, V <sub>REF,DAC12</sub> = AV <sub>CC</sub> |                 |      | 200 | 440  |      |
|                  |  | DAC12AMP <sub>x</sub> = 7, DAC12IR = 1, DAC12_xDAT = 0800h, V <sub>REF,DAC12</sub> = AV <sub>CC</sub> |                 |      | 700 | 1500 |      |
| PSRR             | Power-supply rejection ratio <sup>(3)</sup> <sup>(4)</sup>       | DAC12_xDAT = 800h, V <sub>REF,DAC12</sub> = 1.2 V, ΔAV <sub>CC</sub> = 100 mV                         | 2.7 V           |      | 70  |      | dB   |

(1) No load at the output pin, DAC12\_0, assuming that the control bits for the shared pins are set properly.

(2) Current into reference terminals not included. If DAC12IR = 1 current flows through the input divider; see Reference Input specifications.

(3) PSRR = 20 × log{ΔAV<sub>CC</sub>/ΔV<sub>DAC12\_xOUT</sub>}.

(4) V<sub>REF</sub> is applied externally. The internal reference is not used.

### 5.33 12-Bit DAC, Linearity Specifications

over recommended operating free-air temperature (unless otherwise noted) (see Figure 5-20)

| PARAMETER               |   | TEST CONDITIONS  | V <sub>CC</sub> | MIN | TYP  | MAX   | UNIT          |
|-------------------------|---|--|-----------------|-----|------|-------|---------------|
| INL                     | Integral nonlinearity <sup>(1)</sup>                  | V <sub>REF,DAC12</sub> = 1.2 V or V <sub>REF,ext</sub> = 2.5 V<br>DAC12AMPx = 7, DAC12IR = 1 | 2.7 V           |     | ±2.0 | ±8.0  | LSB           |
| DNL                     | Differential nonlinearity <sup>(1)</sup>              | V <sub>REF,ext</sub> = 1.2 V,<br>DAC12AMPx = 7, DAC12IR = 1                                  | 2.7 V           | -1  | ±0.4 | ±1.3  | LSB           |
|                         |   | V <sub>REF,ext</sub> = 2.5 V,<br>DAC12AMPx = 7, DAC12IR = 1                                  |                 |     | ±0.4 | ±1.0  |               |
|                         |   | V <sub>REF,DAC12</sub> = 1.2 V,<br>DAC12AMPx = 7, DAC12IR = 1                                |                 |     | ±0.4 | ±1.0  |               |
| E <sub>O</sub>          | Offset voltage without calibration <sup>(1) (2)</sup> | V <sub>REF,DAC12</sub> = 1.2 V,<br>DAC12AMPx = 7, DAC12IR = 1                                | 2.7 V           |     |      | ±20   | mV            |
|                         | Offset voltage with calibration <sup>(1) (2)</sup>    | V <sub>REF,DAC12</sub> = 1.2 V,<br>DAC12AMPx = 7, DAC12IR = 1                                |                 |     |      | ±2.5  |               |
| d <sub>E(O)/dT</sub>    | Offset error temperature coefficient <sup>(1)</sup>   |  | 2.7 V           |     | ±30  |       | µV/°C         |
| E <sub>G</sub>          | Gain error <sup>(1)</sup>                             | V <sub>REF,DAC12</sub> = 1.2 V   | 2.7 V           |     |      | ±3.50 | %FSR          |
| d <sub>E(G)/dT</sub>    | Gain temperature coefficient <sup>(1)</sup>           |  | 2.7 V           |     | 10   |       | ppm of FSR/°C |
| t <sub>Offset_Cal</sub> | Time for offset calibration <sup>(3)</sup>            | DAC12AMPx = 2  | 2.7 V           |     |      | 100   | ms            |
|                         |   | DAC12AMPx = 3, 5   |                 |     |      | 32    |               |
|                         |   | DAC12AMPx = 4, 6, 7  |                 |     |      | 6     |               |

- (1) Parameters calculated from the best-fit curve from 0x0A to 0xFFF. The best-fit curve method is used to deliver coefficients “a” and “b” of the first order equation:  $y = a + b \times x$ .  $V_{DAC12\_xOUT} = E_O + (1 + E_G) \times (V_{REF+}/4095) \times DAC12\_xDAT$ , DAC12IR = 1.
- (2) The offset calibration works on the output operational amplifier. Offset calibration is triggered by setting bit DAC12CALON.
- (3) The offset calibration can be done if DAC12AMPx = {2, 3, 4, 5, 6, 7}. The output operational amplifier is switched off with DAC12AMPx = {0, 1}. TI recommends that the DAC12 module be configured before initiating calibration. Port activity during calibration may effect accuracy and is not recommended.

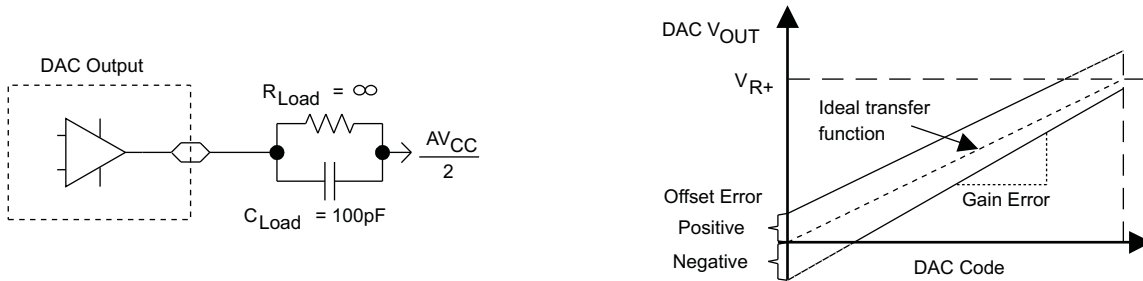


Figure 5-20. Linearity Test Load Conditions and Gain and Offset Definition

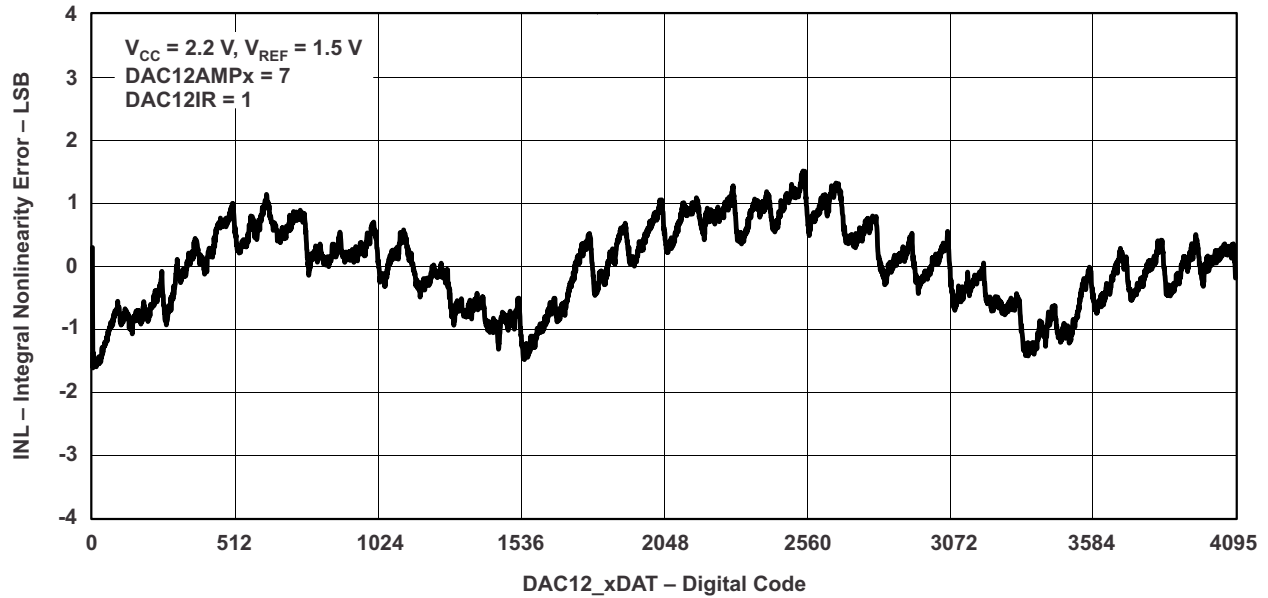


Figure 5-21. Typical INL Error vs Digital Input Data

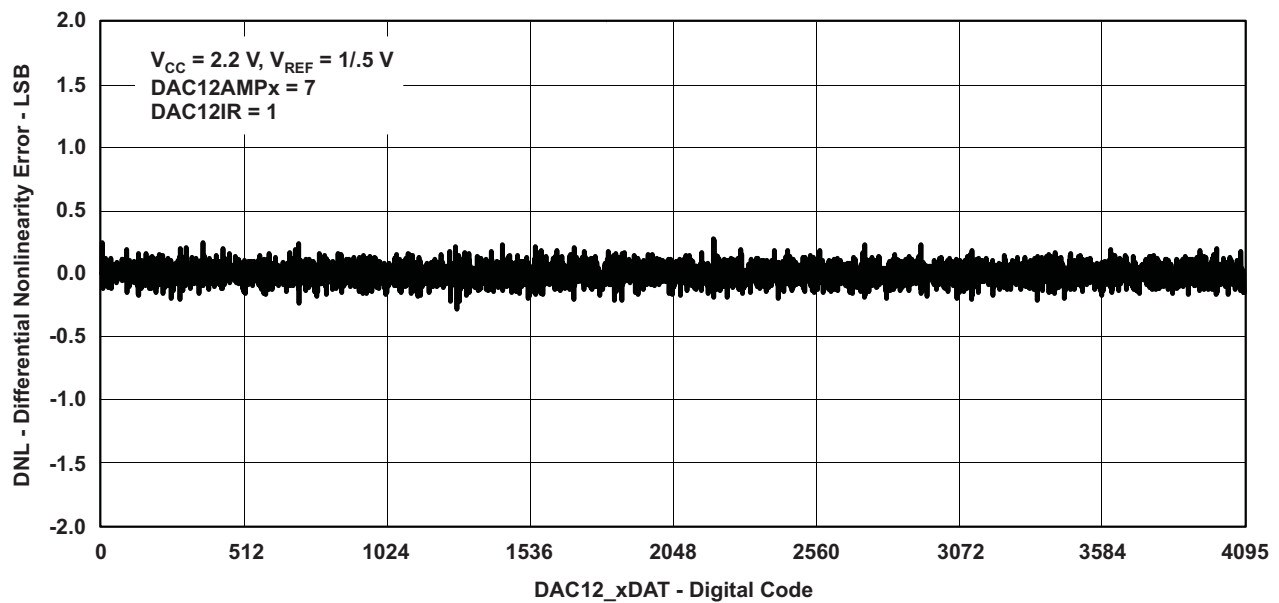


Figure 5-22. Typical DNL Error vs Digital Input Data

### 5.34 12-Bit DAC, Output Specifications

over recommended ranges of supply voltage and operating free-air temperature (unless otherwise noted)

| PARAMETER   | TEST CONDITIONS   | V <sub>CC</sub> | MIN                     | TYP | MAX              | UNIT |
|---|---|-----------------|-------------------------|-----|------------------|------|
| V <sub>O</sub><br>Output voltage range <sup>(1)</sup> (see Figure 5-23) | No load, V <sub>REF+</sub> = AV <sub>CC</sub> , DAC12_xDAT = 0h, DAC12IR = 1, DAC12AMPx = 7                     | 2.2 V, 3 V      | 0                       |     | 0.005            | V    |
|   | No load, V <sub>REF+</sub> = AV <sub>CC</sub> , DAC12_xDAT = 0FFFh, DAC12IR = 1, DAC12AMPx = 7                  |                 | AV <sub>CC</sub> - 0.05 |     | AV <sub>CC</sub> |      |
|   | R <sub>Load</sub> = 3 kΩ, V <sub>REF+</sub> = AV <sub>CC</sub> , DAC12_xDAT = 0h, DAC12IR = 1, DAC12AMPx = 7    |                 | 0                       |     | 0.1              |      |
|   | R <sub>Load</sub> = 3 kΩ, V <sub>REF+</sub> = AV <sub>CC</sub> , DAC12_xDAT = 0FFFh, DAC12IR = 1, DAC12AMPx = 7 |                 | AV <sub>CC</sub> - 0.13 |     | AV <sub>CC</sub> |      |
| C <sub>L(DAC12)</sub><br>Maximum DAC12 load capacitance                 |   | 2.2 V, 3 V      |                         |     | 100              | pF   |
| I <sub>L(DAC12)</sub><br>Maximum DAC12 load current                     |   | 2.2 V           | -0.5                    |     | +0.5             | mA   |
|   |   | 3 V             | -1.0                    |     | +1.0             |      |
| R <sub>O/P(DAC12)</sub><br>Output resistance (see Figure 5-23)          | R <sub>Load</sub> = 3 kΩ, V <sub>O/P(DAC12)</sub> < 0.3 V, DAC12AMPx = 2, DAC12_xDAT = 0h                       | 2.2 V, 3 V      |                         | 150 | 250              | Ω    |
|   | R <sub>Load</sub> = 3 kΩ, V <sub>O/P(DAC12)</sub> > AV <sub>CC</sub> - 0.3 V, DAC12_xDAT = 0FFFh                |                 |                         | 150 | 250              |      |
|   | R <sub>Load</sub> = 3 kΩ, 0.3 V ≤ V <sub>O/P(DAC12)</sub> ≤ AV <sub>CC</sub> - 0.3 V                            |                 |                         | 1   | 4                |      |

(1) Data is valid after the offset calibration of the output amplifier.

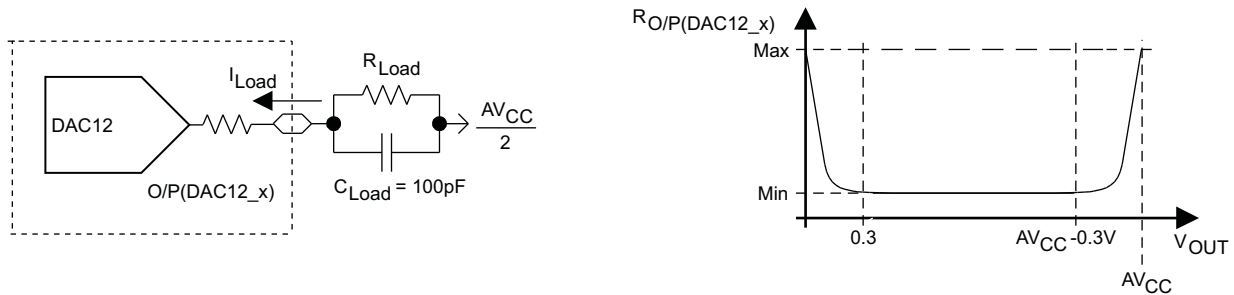


Figure 5-23. DAC12\_x Output Resistance Tests

### 5.35 12-Bit DAC, Reference Input Specifications

over recommended ranges of supply voltage and operating free-air temperature (unless otherwise noted)

| PARAMETER   | TEST CONDITIONS                            | V <sub>CC</sub> | MIN | TYP                 | MAX                    | UNIT |
|---|--|-----------------|-----|---------------------|------------------------|------|
| V <sub>REF+</sub><br>Reference input voltage range  | DAC12IR = 0 <sup>(1)</sup> <sup>(2)</sup>  | 2.2 V, 3 V      |     | AV <sub>CC</sub> /3 | AV <sub>CC</sub> + 0.2 | V    |
|   | DAC12IR = 1 <sup>(3)</sup> <sup>(4)</sup>  |                 |     | AV <sub>CC</sub>    | AV <sub>CC</sub> + 0.2 |      |
| R <sub>i(VREF+)</sub><br>Reference input resistance | DAC12IR = 0, SD16VMIDON = 1 <sup>(5)</sup> | 2.2 V, 3 V      | 20  |                     |                        | MΩ   |
|   | DAC12IR = 1, SD16VMIDON = 1                |                 | 40  | 48                  | 56                     | kΩ   |

- (1) For a full-scale output, the reference input voltage can be as high as 1/3 of the maximum output voltage swing (AV<sub>CC</sub>).
- (2) The maximum voltage applied at reference input voltage terminal V<sub>REF+</sub> = [AV<sub>CC</sub> - V<sub>E(O)</sub>] / [3 × (1 + E<sub>G</sub>)].
- (3) For a full-scale output, the reference input voltage can be as high as the maximum output voltage swing (AV<sub>CC</sub>).
- (4) The maximum voltage applied at reference input voltage terminal V<sub>REF+</sub> = [AV<sub>CC</sub> - V<sub>E(O)</sub>] / (1 + E<sub>G</sub>).
- (5) Characterized, not production tested

### 5.36 12-Bit DAC, Dynamic Specifications

$V_{ref} = V_{CC}$ , DAC12IR = 1, over recommended ranges of supply voltage and operating free-air temperature (unless otherwise noted) (see Figure 5-24 and Figure 5-25)

| PARAMETER                 |                             | TEST CONDITIONS   |                           | $V_{CC}$   | MIN  | TYP     | MAX        | UNIT |
|---------------------------|-----------------------------|---|---------------------------|------------|------|---------|------------|------|
| $t_{ON}$                  | DAC12 on time               | DAC12_xDAT = 800h, Error $_{V(O)}$ < $\pm 0.5$ LSB <sup>(1)</sup> (see Figure 5-24) | DAC12AMPx = 0 → {2, 3, 4} | 2.2 V, 3 V | 60   | 120     | $\mu$ s    |      |
|                           |                             |   | DAC12AMPx = 0 → {5, 6}    |            | 15   | 30      |            |      |
|                           |                             |   | DAC12AMPx = 0 → 7         |            | 6    | 12      |            |      |
| $t_{S(FS)}$               | Settling time, full scale   | DAC12_xDAT = 80h → F7Fh → 80h   | DAC12AMPx = 2             | 2.2 V, 3 V | 100  | 200     | $\mu$ s    |      |
|                           |                             |   | DAC12AMPx = 3, 5          |            | 40   | 80      |            |      |
|                           |                             |   | DAC12AMPx = 4, 6, 7       |            | 15   | 30      |            |      |
| $t_{S(C-C)}$              | Settling time, code to code | DAC12_xDAT = 3F8h → 408h → 3F8h<br>BF8h → C08h → BF8h                               | DAC12AMPx = 2             | 2.2 V, 3 V | 5    | $\mu$ s |            |      |
|                           |                             |   | DAC12AMPx = 3, 5          |            | 2    |         |            |      |
|                           |                             |   | DAC12AMPx = 4, 6, 7       |            | 1    |         |            |      |
| SR                        | Slew rate                   | DAC12_xDAT = 80h → F7Fh → 80h <sup>(2)</sup>  | DAC12AMPx = 2             | 2.2 V, 3 V | 0.05 | 0.12    | V/ $\mu$ s |      |
|                           |                             |   | DAC12AMPx = 3,5           |            | 0.35 | 0.7     |            |      |
|                           |                             |   | DAC12AMPx = 4, 6, 7       |            | 1.5  | 2.7     |            |      |
| Glitch energy, full-scale | Glitch energy, full-scale   | DAC12_xDAT = 80h → F7Fh → 80h   | DAC12AMPx = 2             | 2.2 V, 3 V | 600  | nV-s    |            |      |
|                           |                             |   | DAC12AMPx = 3,5           |            | 150  |         |            |      |
|                           |                             |   | DAC12AMPx = 4, 6, 7       |            | 30   |         |            |      |

- (1)  $R_{Load}$  and  $C_{Load}$  connected to  $AV_{SS}$  (not  $AV_{CC}/2$ ) in Figure 5-24.
- (2) Slew rate applies to output voltage steps  $\geq 200$  mV.

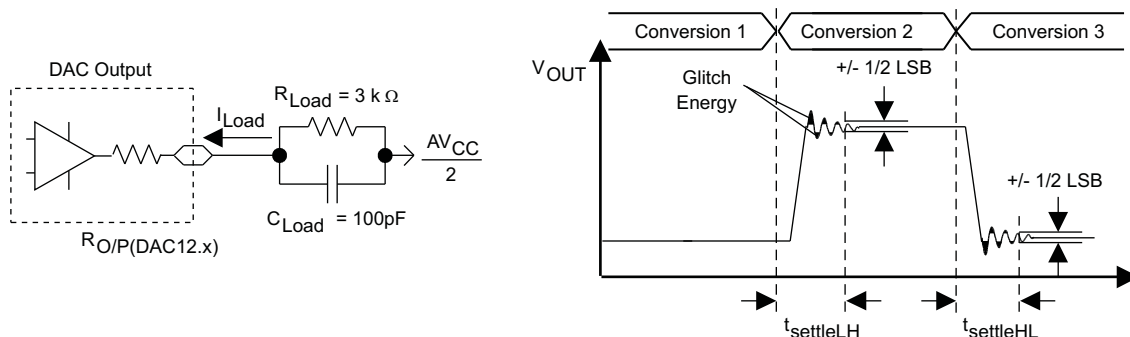


Figure 5-24. Settling Time and Glitch Energy Testing

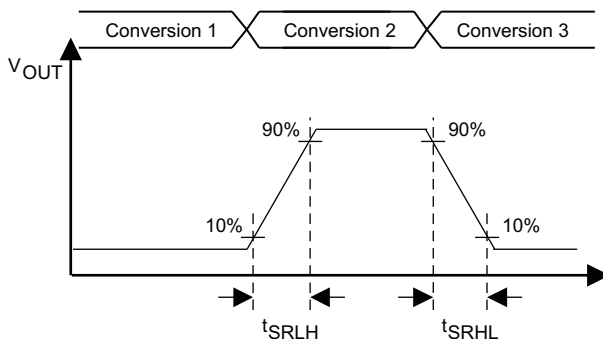


Figure 5-25. Slew Rate Testing

### 5.37 12-Bit DAC, Dynamic Specifications Continued

T<sub>A</sub> = 25°C (unless otherwise noted)

| PARAMETER  | TEST CONDITIONS  | V <sub>CC</sub> | MIN | MAX | UNIT |
|--|--|-----------------|-----|-----|------|
| BW <sub>-3dB</sub><br>3-dB bandwidth,<br>V <sub>DC</sub> = 1.5 V, V <sub>AC</sub> = 0.1 V <sub>PP</sub><br>(see Figure 5-26) | DAC12AMPx = {2, 3, 4}, DAC12SREFx = 2,<br>DAC12IR = 1, DAC12_xDAT = 800h | 2.2 V, 3 V      | 40  |     | kHz  |
|  | DAC12AMPx = {5, 6}, DAC12SREFx = 2,<br>DAC12IR = 1, DAC12_xDAT = 800h    |                 | 180 |     |      |
|  | DAC12AMPx = 7, DAC12SREFx = 2,<br>DAC12IR = 1, DAC12_xDAT = 800h         |                 | 550 |     |      |

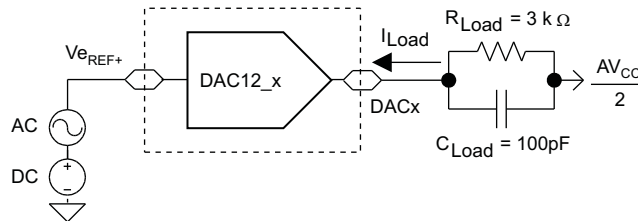


Figure 5-26. Test Conditions for 3-dB Bandwidth Specification

### 5.38 Timer\_A

over recommended ranges of supply voltage and operating free-air temperature (unless otherwise noted)

| PARAMETER                                  | TEST CONDITIONS  | V <sub>CC</sub> | MIN | MAX | UNIT |
|--|--|-----------------|-----|-----|------|
| f <sub>TA</sub> Timer_A clock frequency    | Internal: SMCLK, ACLK<br>External: TACLK, INCLK<br>Duty cycle = 50% ±10% | 2.2 V           |     | 8   | MHz  |
|  |  | 3 V             |     | 10  |      |
| t <sub>TA,cap</sub> Timer_A capture timing | TA0, TA1, TA2  | 2.2 V, 3 V      | 20  |     | ns   |

### 5.39 Timer\_B

over recommended ranges of supply voltage and operating free-air temperature (unless otherwise noted)

| PARAMETER                                  | TEST CONDITIONS  | V <sub>CC</sub> | MIN | MAX | UNIT |
|--|--|-----------------|-----|-----|------|
| f <sub>TA</sub> Timer_B clock frequency    | Internal: SMCLK, ACLK<br>External: TACLK, INCLK<br>Duty cycle = 50% ±10% | 2.2 V           |     | 8   | MHz  |
|  |  | 3 V             |     | 10  |      |
| t <sub>TA,cap</sub> Timer_B capture timing | TB0, TB1, TB2  | 2.2 V, 3 V      | 20  |     | ns   |

## 5.40 USCI (UART Mode)

over recommended ranges of supply voltage and operating free-air temperature (unless otherwise noted)

| PARAMETER           |  | TEST CONDITIONS  | V <sub>CC</sub> | MIN | TYP | MAX                 | UNIT |
|---------------------|--|--|-----------------|-----|-----|---------------------|------|
| f <sub>USCI</sub>   | USCI input clock frequency   | Internal: SMCLK, ACLK<br>External: UCLK<br>Duty cycle = 50% ±10% |                 |     |     | f <sub>SYSTEM</sub> | MHz  |
| f <sub>BITCLK</sub> | BITCLK clock frequency<br>(equals baud rate in MBaud) <sup>(1)</sup> |  | 2.2 V, 3 V      | 2   |     |                     | MHz  |
| t <sub>τ</sub>      | UART receive deglitch time UART <sup>(2)</sup>                       |  | 2.2 V           | 50  | 150 | 600                 | ns   |
|                     |  |  | 3 V             | 50  | 100 | 600                 |      |

(1) The DCO wake-up time must be considered in LPM3 or LPM4 for baud rates above 1 MHz.

(2) Pulses on the UART receive input (UCxRX) shorter than the UART receive deglitch time are suppressed.

## 5.41 USCI (SPI Master Mode)

over recommended ranges of supply voltage and operating free-air temperature (unless otherwise noted)<sup>(1)</sup> (see [Figure 5-27](#) and [Figure 5-28](#))

| PARAMETER             |                             | TEST CONDITIONS                                 | V <sub>CC</sub> | MIN | MAX                 | UNIT |
|-----------------------|-----------------------------|---|-----------------|-----|---------------------|------|
| f <sub>USCI</sub>     | USCI input clock frequency  | SMCLK, ACLK<br>Duty cycle = 50% ±10%            |                 |     | f <sub>SYSTEM</sub> | MHz  |
| t <sub>SU,MI</sub>    | SOMI input data setup time  |   | 2.2 V           | 110 |                     | ns   |
|                       |                             |   | 3 V             | 75  |                     |      |
| t <sub>HD,MI</sub>    | iSOMI input data hold time  |   | 2.2 V           | 0   |                     | ns   |
|                       |                             |   | 3 V             | 0   |                     |      |
| t <sub>VALID,MO</sub> | SIMO output data valid time | UCLK edge to SIMO valid, C <sub>L</sub> = 20 pF | 2.2 V           |     | 30                  | ns   |
|                       |                             |   | 3 V             |     | 20                  |      |

(1)  $f_{UCxCLK} = 1/2t_{LO/HI}$  with  $t_{LO/HI} \geq \max(t_{VALID,MO(USCI)} + t_{SU,SI(Slave)}, t_{SU,MI(USCI)} + t_{VALID,SO(Slave)})$   
For the slave parameters  $t_{SU,SI(Slave)}$  and  $t_{VALID,SO(Slave)}$ , see the SPI parameters of the attached slave.

## 5.42 USCI (SPI Slave Mode)

over recommended ranges of supply voltage and operating free-air temperature (unless otherwise noted)<sup>(1)</sup> (see [Figure 5-29](#) and [Figure 5-30](#))

| PARAMETER             |   | TEST CONDITIONS                                 | V <sub>CC</sub> | MIN | TYP | MAX | UNIT |
|-----------------------|---|---|-----------------|-----|-----|-----|------|
| t <sub>STE,LEAD</sub> | STE lead time<br>STE low to clock                   |   | 2.2 V, 3 V      |     | 50  |     | ns   |
| t <sub>STE,LAG</sub>  | STE lag time<br>Last clock to STE high              |   | 2.2 V, 3 V      | 10  |     |     | ns   |
| t <sub>STE,ACC</sub>  | STE access time<br>STE low to SOMI data out         |   | 2.2 V, 3 V      |     | 50  |     | ns   |
| t <sub>STE,DIS</sub>  | STE disable time<br>STE high to SOMI high impedance |   | 2.2 V, 3 V      |     | 50  |     | ns   |
| t <sub>SU,SI</sub>    | SIMO input data setup time                          |   | 2.2 V           | 20  |     |     | ns   |
|                       |   |   | 3 V             | 15  |     |     |      |
| t <sub>HD,SI</sub>    | SIMO input data hold time                           |   | 2.2 V           | 10  |     |     | ns   |
|                       |   |   | 3 V             | 10  |     |     |      |
| t <sub>VALID,SO</sub> | SOMI output data valid time                         | UCLK edge to SOMI valid, C <sub>L</sub> = 20 pF | 2.2 V           |     | 75  | 110 | ns   |
|                       |   |   | 3 V             |     | 50  | 75  |      |

(1)  $f_{UCxCLK} = 1/2t_{LO/HI}$  with  $t_{LO/HI} \geq \max(t_{VALID,MO(Master)} + t_{SU,SI(USCI)}, t_{SU,MI(Master)} + t_{VALID,SO(USCI)})$   
For the master parameters  $t_{SU,MI(Master)}$  and  $t_{VALID,MO(Master)}$ , see the SPI parameters of the attached master.

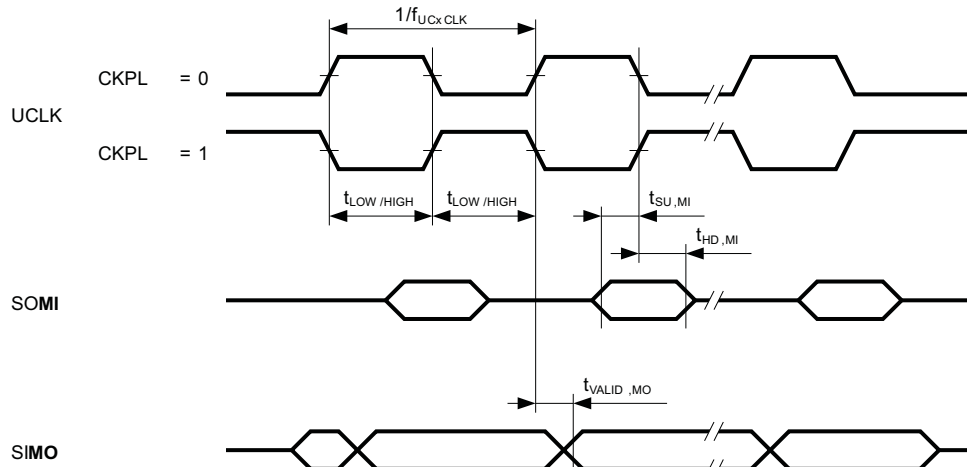


Figure 5-27. SPI Master Mode, CKPH = 0

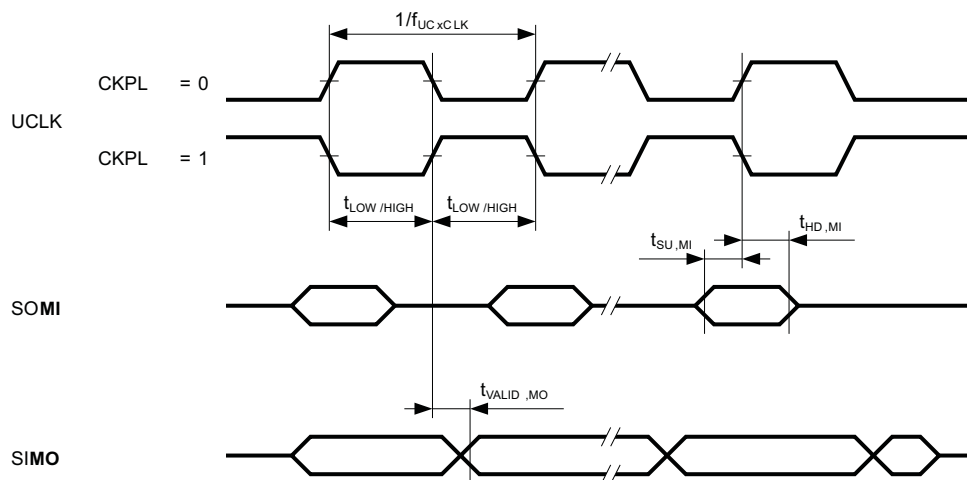


Figure 5-28. SPI Master Mode, CKPH = 1



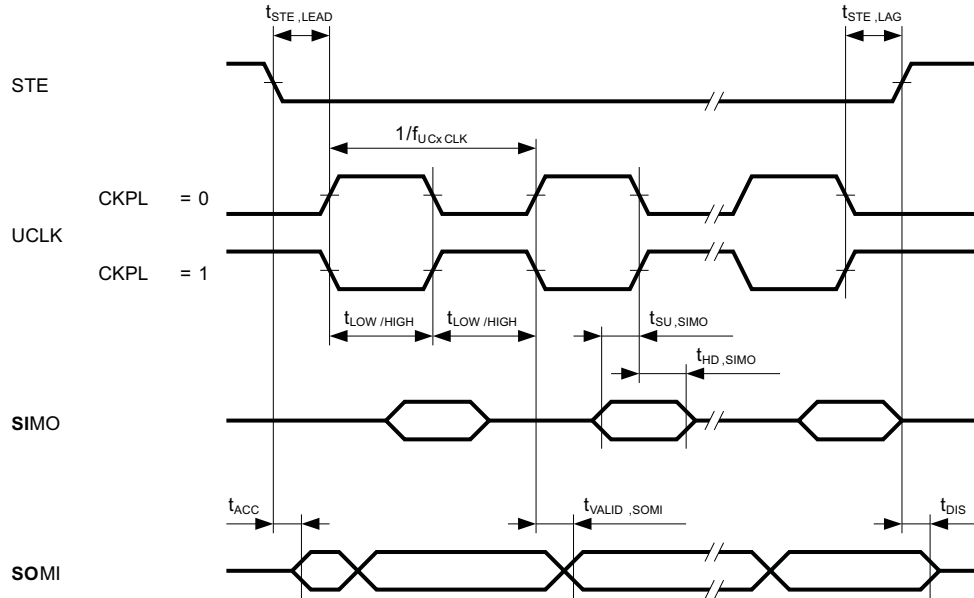


Figure 5-29. SPI Slave Mode, CKPH = 0

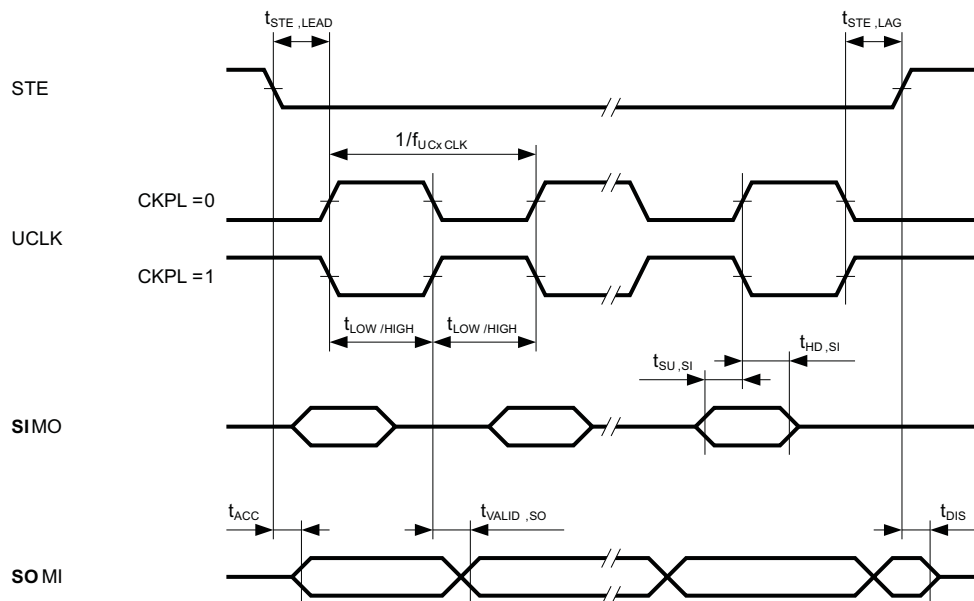


Figure 5-30. SPI Slave Mode, CKPH = 1

### 5.43 USCI (I<sup>2</sup>C Mode)

over recommended ranges of supply voltage and operating free-air temperature (unless otherwise noted) (see [Figure 5-31](#))

| PARAMETER           | TEST CONDITIONS                                     | V <sub>CC</sub>            | MIN | TYP | MAX                 | UNIT |
|---------------------|---|----------------------------|-----|-----|---------------------|------|
| f <sub>USCI</sub>   | USCI input clock frequency                          |                            |     |     | f <sub>SYSTEM</sub> | MHz  |
| f <sub>SCL</sub>    | SCL clock frequency                                 | 2.2 V, 3 V                 | 0   |     | 400                 | kHz  |
| t <sub>HD,STA</sub> | Hold time (repeated) START                          | f <sub>SCL</sub> ≤ 100 kHz | 4.0 |     |                     | μs   |
|                     |   | f <sub>SCL</sub> > 100 kHz | 0.6 |     |                     |      |
| t <sub>SU,STA</sub> | Setup time for a repeated START                     | f <sub>SCL</sub> ≤ 100 kHz | 4.7 |     |                     | μs   |
|                     |   | f <sub>SCL</sub> > 100 kHz | 0.6 |     |                     |      |
| t <sub>HD,DAT</sub> | Data hold time                                      |                            | 0   |     |                     | ns   |
| t <sub>SU,DAT</sub> | Data setup time                                     |                            | 250 |     |                     | ns   |
| t <sub>SU,STO</sub> | Setup time for STOP                                 |                            | 4   |     |                     | μs   |
| t <sub>SP</sub>     | Pulse duration of spikes suppressed by input filter | 2.2 V                      | 50  | 150 | 600                 | ns   |
|                     |   | 3 V                        | 50  | 100 | 600                 |      |

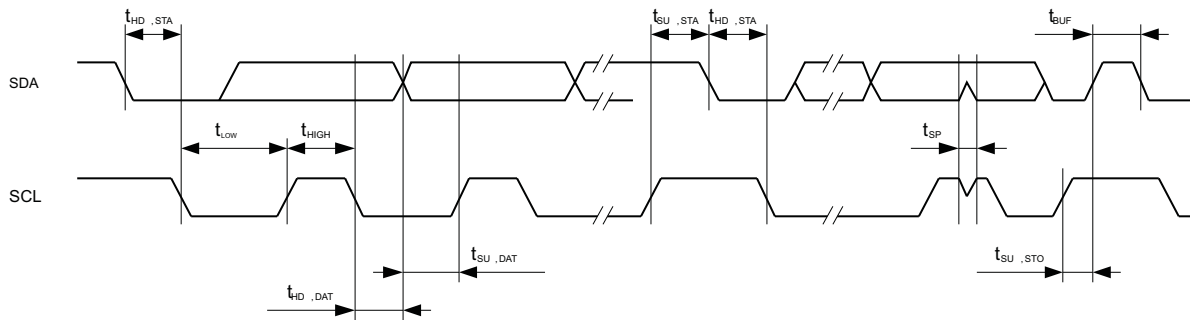


Figure 5-31. I<sup>2</sup>C Mode Timing

## 5.44 Flash Memory

over recommended ranges of supply voltage and operating free-air temperature (unless otherwise noted)

| PARAMETER                  |   | TEST CONDITIONS       | V <sub>CC</sub> | MIN             | TYP             | MAX | UNIT             |
|----------------------------|---|-----------------------|-----------------|-----------------|-----------------|-----|------------------|
| V <sub>CC(PGM/ERASE)</sub> | Program and erase supply voltage                    |                       |                 | 2.2             |                 | 3.6 | V                |
| f <sub>FTG</sub>           | Flash timing generator frequency                    |                       |                 | 257             |                 | 476 | kHz              |
| I <sub>PGM</sub>           | Supply current from DVCC during program             |                       | 2.5 V, 3.6 V    |                 | 3               | 5   | mA               |
| I <sub>ERASE</sub>         | Supply current from DVCC during erase               |                       | 2.5 V, 3.6 V    |                 | 3               | 7   | mA               |
| t <sub>CPT</sub>           | Cumulative program time                             | (1)                   | 2.5 V, 3.6 V    |                 |                 | 10  | ms               |
| t <sub>CMErase</sub>       | Cumulative mass erase time                          |                       | 2.5 V, 3.6 V    | 200             |                 |     | ms               |
|                            | Program and erase endurance                         |                       |                 | 10 <sup>4</sup> | 10 <sup>5</sup> |     | cycles           |
| t <sub>Retention</sub>     | Data retention duration                             | T <sub>J</sub> = 25°C |                 | 100             |                 |     | years            |
| t <sub>Word</sub>          | Word or byte program time                           | (2)                   |                 |                 | 35              |     | t <sub>FTG</sub> |
| t <sub>Block, 0</sub>      | Block program time for 1st byte or word             |                       |                 |                 | 30              |     |                  |
| t <sub>Block, 1-63</sub>   | Block program time for each additional byte or word |                       |                 |                 | 21              |     |                  |
| t <sub>Block, End</sub>    | Block program end-sequence wait time                |                       |                 |                 | 6               |     |                  |
| t <sub>Mass Erase</sub>    | Mass erase time                                     |                       |                 |                 | 5297            |     |                  |
| t <sub>Seg Erase</sub>     | Segment erase time                                  |                       |                 |                 | 4819            |     |                  |

- (1) The cumulative program time must not be exceeded when writing to a 64--byte flash block. This parameter applies to all programming methods: individual word/byte write and block write modes.
- (2) The mass erase duration generated by the flash timing generator is at least 11.1ms (= 5297x1/f<sub>FTG,max</sub> = 5297x1/476kHz). To achieve the required cumulative mass erase time the flash controller' mass erase operation can be repeated until this time is met. (A worst case minimum of 19 cycles are required).

## 5.45 JTAG Interface

over recommended ranges of supply voltage and operating free-air temperature (unless otherwise noted)

| PARAMETER             |  | TEST CONDITIONS | V <sub>CC</sub> | MIN | TYP | MAX | UNIT |
|-----------------------|--|-----------------|-----------------|-----|-----|-----|------|
| f <sub>TCK</sub>      | TCK input frequency                              | (1)             | 2.2 V           | 0   |     | 5   | MHz  |
|                       |  |                 | 3 V             | 0   |     | 10  |      |
| R <sub>Internal</sub> | Internal pullup resistance on TMS, TCK, TDI/TCLK | (2)             | 2.2 V, 3 V      | 25  | 60  | 90  | kΩ   |

- (1) f<sub>TCK</sub> may be restricted to meet the timing requirements of the module selected.
- (2) TMS, TDI/TCLK, and TCK pullup resistors are implemented in all versions.

## 5.46 JTAG Fuse<sup>(1)</sup>

over recommended operating free-air temperature range (unless otherwise noted)

| PARAMETER           |   | TEST CONDITIONS       | MIN | MAX | UNIT |
|---------------------|---|-----------------------|-----|-----|------|
| V <sub>CC(FB)</sub> | Supply voltage during fuse-blow condition     | T <sub>A</sub> = 25°C | 2.5 |     | V    |
| V <sub>FB</sub>     | Voltage level on TDI/TCLK for fuse-blow       |                       | 6   | 7   | V    |
| I <sub>FB</sub>     | Supply current into TDI/TCLK during fuse blow |                       |     | 100 | mA   |
| t <sub>FB</sub>     | Time to blow fuse                             |                       |     | 1   | ms   |

- (1) After the fuse is blown, no further access to the MSP430 JTAG/Test and emulation features is possible. The JTAG block is switched to bypass mode.

## 6 Detailed Description

### 6.1 CPU

The MSP430 CPU has a 16-bit RISC architecture that is highly transparent to the application. All operations, other than program-flow instructions, are performed as register operations in conjunction with seven addressing modes for source operand and four addressing modes for destination operand.

The CPU is integrated with 16 registers that provide reduced instruction execution time. The register-to-register operation execution time is one cycle of the CPU clock.

Four of the registers, R0 to R3, are dedicated as program counter, stack pointer, status register, and constant generator, respectively. The remaining registers are general-purpose registers.

Peripherals are connected to the CPU using data, address, and control buses, and can be handled with all instructions.

|                          |           |
|--------------------------|-----------|
| Program Counter          | PC/R0     |
| Stack Pointer            | SP/R1     |
| Status Register          | SR/CG1/R2 |
| Constant Generator       | CG2/R3    |
| General-Purpose Register | R4        |
| General-Purpose Register | R5        |
| General-Purpose Register | R6        |
| General-Purpose Register | R7        |
| General-Purpose Register | R8        |
| General-Purpose Register | R9        |
| General-Purpose Register | R10       |
| General-Purpose Register | R11       |
| General-Purpose Register | R12       |
| General-Purpose Register | R13       |
| General-Purpose Register | R14       |
| General-Purpose Register | R15       |

## 6.2 Instruction Set

The instruction set consists of the original 51 instructions with three formats and seven address modes and additional instructions for the expanded address range. Each instruction can operate on word and byte data. [Table 6-1](#) shows examples of the three types of instruction formats; the address modes are listed in [Table 6-2](#).

**Table 6-1. Instruction Word Formats**

| FORMAT                            | EXAMPLE   | OPERATION             |
|-----------------------------------|-----------|-----------------------|
| Dual operands, source-destination | ADD R4,R5 | R4 + R5 → R5          |
| Single operands, destination only | CALL R8   | PC → (TOS), R8 → PC   |
| Relative jump, un/conditional     | JNE       | Jump-on-equal bit = 0 |

**Table 6-2. Address Mode Descriptions**

| ADDRESS MODE           | S <sup>(1)</sup> | D <sup>(1)</sup> | SYNTAX             | EXAMPLE          | OPERATION                     |
|------------------------|------------------|------------------|--------------------|------------------|-------------------------------|
| Register               | •                | •                | MOV Rs,Rd          | MOV R10,R11      | R10 → R11                     |
| Indexed                | •                | •                | MOV X(Rn),Y(Rm)    | MOV 2(R5),6(R6)  | M(2+R5) → M(6+R6)             |
| Symbolic (PC relative) | •                | •                | MOV EDE,TONI       |                  | M(EDE) → M(TONI)              |
| Absolute               | •                | •                | MOV & MEM, & TCDAT |                  | M(MEM) → M(TCDAT)             |
| Indirect               | •                |                  | MOV @Rn,Y(Rm)      | MOV @R10,Tab(R6) | M(R10) → M(Tab+R6)            |
| Indirect autoincrement | •                |                  | MOV @Rn+,Rm        | MOV @R10+,R11    | M(R10) → R11<br>R10 + 2 → R10 |
| Immediate              | •                |                  | MOV #X,TONI        | MOV #45,TONI     | #45 → M(TONI)                 |

(1) NOTE: S = source D = destination

## 6.3 Operating Modes

These devices have one active mode and five software-selectable low-power modes of operation. An interrupt event can wake up the device from any of the five low-power modes, service the request, and restore back to the low-power mode on return from the interrupt program.

The following six operating modes can be configured by software:

- Active mode (AM)
  - All clocks are active
- Low-power mode 0 (LPM0)
  - CPU is disabled
  - ACLK and SMCLK remain active. MCLK is disabled
  - FLL+ loop control remains active
- Low-power mode 1 (LPM1)
  - CPU is disabled
  - FLL+ loop control is disabled
  - ACLK and SMCLK remain active. MCLK is disabled
- Low-power mode 2 (LPM2)
  - CPU is disabled
  - MCLK, FLL+ loop control and DCOCLK are disabled
  - DCO DC generator remains enabled
  - ACLK remains active
- Low-power mode 3 (LPM3)
  - CPU is disabled
  - MCLK, FLL+ loop control, and DCOCLK are disabled
  - DCO DC generator is disabled
  - ACLK remains active
- Low-power mode 4 (LPM4)
  - CPU is disabled
  - ACLK is disabled
  - MCLK, FLL+ loop control, and DCOCLK are disabled
  - DCO DC generator is disabled
  - Crystal oscillator is stopped

## 6.4 Interrupt Vector Addresses

The interrupt vectors and the power-up start address are in the address range 0FFFFh to 0FFC0h. The vector contains the 16-bit address of the appropriate interrupt-handler instruction sequence.

If the reset vector (located at address 0xFFFFE) contains 0xFFFF (for example, flash is not programmed) the CPU goes into LPM4 immediately after power-up.

**Table 6-3. Interrupt Sources, Flags, and Vectors**

| INTERRUPT SOURCE   | INTERRUPT FLAG  | SYSTEM INTERRUPT                                | WORD ADDRESS | PRIORITY    |
|--|---|---|--------------|-------------|
| Power-Up<br>External Reset<br>Watchdog<br>Flash Memory<br>PC Out-of-Range <sup>(1)</sup> | PORIFG<br>RSTIFG<br>WDTIFG<br>KEYV <sup>(2)</sup>                                   | Reset   | 0FFFEh       | 15, highest |
| NMI<br>Oscillator Fault<br>Flash Memory Access Violation                                 | NMIIFG <sup>(2) (3)</sup><br>OFIFG <sup>(2) (3)</sup><br>ACCVIFG <sup>(2) (4)</sup> | (Non)maskable<br>(Non)maskable<br>(Non)maskable | 0FFFCh       | 14          |
| Timer_B3   | TBCCR0 CCIFG0 <sup>(4)</sup>  | Maskable  | 0FFFAh       | 13          |
| Timer_B3   | TBCCR1 CCIFG1 and TBCCR2 CCIFG2,<br>TBIFG <sup>(2)(4)</sup>                         | Maskable  | 0FFF8h       | 12          |
| Comparator_A   | CAIFG   | Maskable  | 0FFF6h       | 11          |
| Watchdog Timer+  | WDTIFG  | Maskable  | 0FFF4h       | 10          |
| USCI_A0, USCI_B0 Receive,<br>USCI_B0 I2C status  | UCA0RXIFG, UCB0RXIFG <sup>(2)(5)</sup>  | Maskable  | 0FFF2h       | 9           |
| USCI_A0, USCI_B0 Transmit,<br>USCI_B0 I2C receive/transmit                               | UCA0TXIFG, UCB0TXIFG <sup>(2)(6)</sup>  | Maskable  | 0FFF0h       | 8           |
| SD16_A   | SD16CCTLx SD16OVIFG, SD16CCTLx SD16IFG <sup>(2) (4)</sup>                           | Maskable  | 0FFEEh       | 7           |
| Timer_A3   | TACCR0 CCIFG0 <sup>(4)</sup>  | Maskable  | 0FFECCh      | 6           |
| Timer_A3   | TACCR1 CCIFG1 and TACCR2 CCIFG2,<br>TAIFG <sup>(2) (4)</sup>                        | Maskable  | 0FFEAh       | 5           |
| I/O Port P1 (8 Flags)  | P1IFG.0 to P1IFG.7 <sup>(2) (4)</sup>   | Maskable  | 0FFE8h       | 4           |
| DAC12  | DAC12_0IFG  | Maskable  | 0FFE6h       | 3           |
|  |   | Maskable  | 0FFE4h       | 2           |
| I/O Port P2 (8 Flags)  | P2IFG.0 to P2IFG.7 <sup>(2) (4)</sup>   | Maskable  | 0FFE2h       | 1           |
| Basic Timer 1, RTC   | BTIFG   | Maskable  | 0FFE0h       | 0, lowest   |

(1) Access and key violations, KEYV and ACCVIFG.

(2) Multiple source flags

(3) A reset is generated if the CPU tries to fetch instructions from within the module register memory address range (0h to 01FFh).  
(Non)maskable: the individual interrupt-enable bit can disable an interrupt event, but the general-interrupt enable cannot disable it.

(4) Interrupt flags are located in the module.


(5) In SPI mode: UCB0RXIFG. In I2C mode: UCALIFG, UCNACKIFG, ICSTTIFG, UCSTPIFG.

(6) In UART/SPI mode: UCB0TXIFG. In I2C mode: UCB0RXIFG, UCB0TXIFG.





## 6.5 Special Function Registers (SFRs)

The SFRs are in the lowest address space and are organized as byte mode registers. SFRs should be accessed with byte instructions.

### Legend

|   |   |
|---|---|
| rw  | Bit can be read and written.                            |
| rw-0, rw-1  | Bit can be read and written. It is Reset or Set by PUC. |
| rw-(0), rw-(1)  | Bit can be read and written. It is Reset or Set by POR. |
|  | SFR bit is not present in device                        |

### 6.5.1 Interrupt Enable 1 and 2




| Address | 7   | 6   | 5      | 4     | 3  | 2   | 1    | 0     |
|---------|---|---|--------|-------|--|---|------|-------|
| 00h     |  |  | ACCVIE | NMIIE |  |  | OFIE | WDTIE |
|         |   |   | rw-0   | rw-0  |  |   | rw-0 | rw-0  |

WDTIE Watchdog timer interrupt enable. Inactive if watchdog mode is selected. Active if watchdog timer is configured as a general-purpose timer.

OFIE Oscillator fault-interrupt enable

NMIIE Nonmaskable interrupt enable

ACCVIE Flash access violation interrupt enable

| Address | 7    | 6   | 5   | 4   | 3        | 2        | 1        | 0        |
|---------|------|---|---|---|----------|----------|----------|----------|
| 01h     | BTIE |  |  |  | UCB0TXIE | UCB0RXIE | UCA0TXIE | UCA0RXIE |
|         | rw-0 |   |   |   | rw-0     | rw-0     | rw-0     | rw-0     |

UCA0RXIE USCI\_A0 receive-interrupt enable

UCA0TXIE USCI\_A0 transmit-interrupt enable

UCB0RXIE USCI\_B0 receive-interrupt enable

UCB0TXIE USCI\_B0 transmit-interrupt enable

BTIE Basic timer interrupt enable



### 6.5.2 Interrupt Flag Register 1 and 2

| Address | 7 | 6 | 5 | 4      | 3      | 2      | 1     | 0      |
|---------|---|---|---|--------|--------|--------|-------|--------|
| 02h     |   |   |   | NMIIFG | RSTIFG | PORIFG | OFIFG | WDTIFG |
|         |   |   |   | rw-0   | rw-(0) | rw-(1) | rw-1  | rw-(0) |

- WDTIFG Set on watchdog timer overflow (in watchdog mode) or security key violation  
Reset on  $V_{CC}$  power-on or a reset condition at the  $\overline{RST}/NMI$  pin in reset mode
- OFIFG Flag set on oscillator fault
- RSTIFG External reset interrupt flag. Set on a reset condition at  $\overline{RST}/NMI$  pin in reset mode. Reset on  $V_{CC}$  power-up.
- PORIFG Power-on interrupt flag. Set on  $V_{CS}$  power-up.
- NMIIFG Set by the  $\overline{RST}/NMI$  pin

| Address | 7     | 6 | 5 | 4 | 3             | 2             | 1             | 0             |
|---------|-------|---|---|---|---------------|---------------|---------------|---------------|
| 03h     | BTIFG |   |   |   | UCB0<br>TXIFG | UCB0<br>RXIFG | UCA0<br>TXIFG | UCA0<br>RXIFG |
|         | rw-0  |   |   |   | rw-1          | rw-0          | rw-1          | rw-0          |

- UCA0RXIFG USCI\_A0 receive-interrupt flag
- UCA0TXIFG USCI\_A0 transmit-interrupt flag
- UCB0RXIFG USCI\_B0 receive-interrupt flag
- UCB0TXIFG USCI\_B0 transmit-interrupt flag
- BTIFG Basic timer flag

## 6.6 Memory Organization

Table 6-4 summarizes the memory organization for the MSP430F47x MCUs.

**Table 6-4. Memory Organization**

|                        |           | MSP430F477       | MSP430F478       | MSP430F479       |
|------------------------|-----------|------------------|------------------|------------------|
| Memory                 | Size      | 32KB             | 48KB             | 60KB             |
| Main: interrupt vector | Flash     | 0FFFFh to 0FFE0h | 0FFFFh to 0FFE0h | 0FFFFh to 0FFE0h |
| Main: code memory      | Flash     | 0FFFFh to 08000h | 0FFFFh to 04000h | 0FFFFh to 01100h |
| Information memory     | Size      | 256 Byte         | 256 Byte         | 256 Byte         |
|                        | Flash     | 010FFh to 01000h | 010FFh to 01000h | 010FFh to 01000h |
| Boot memory            | Size      | 1KB              | 1KB              | 1KB              |
|                        | ROM       | 0FFFh to 0C00h   | 0FFFh to 0C00h   | 0FFFh to 0C00h   |
| RAM                    | Size      | 2KB              | 2KB              | 2KB              |
|                        |           | 09FFh to 0200h   | 09FFh to 0200h   | 09FFh to 0200h   |
| Peripherals            | 16 bit    | 01FFh to 0100h   | 01FFh to 0100h   | 01FFh to 0100h   |
|                        | 8 bit     | 0FFh to 010h     | 0FFh to 010h     | 0FFh to 010h     |
|                        | 8-bit SFR | 0Fh to 00h       | 0Fh to 00h       | 0Fh to 00h       |

## 6.7 Bootloader (BSL)

The BSL lets users program the flash memory or RAM using a UART serial interface. Access to the MCU memory through the BSL is protected by user-defined password. A bootloader security key is provided at address 0FFBEh to disable the BSL completely or to disable the erasure of the flash if an invalid password is supplied. The BSL is optional for ROM-based devices. For complete description of the features of the BSL and its implementation, see the [MSP430™ Flash Devices Bootloader \(BSL\) User's Guide](#).

| BSL FUNCTION  | PN PACKAGE | ZCA OR ZQW PACKAGE |
|---------------|------------|--------------------|
| Data Transmit | 58 - P1.0  | C11 - P1.0         |
| Data Receiver | 57 - P1.1  | C12 - P1.1         |

## 6.8 Flash Memory

The flash memory can be programmed by the JTAG port, the bootloader, or in system by the CPU. The CPU can perform single-byte and single-word writes to the flash memory. Features of the flash memory include:

- Flash memory has n segments of main memory and four segments of information memory (A to D) of 64 bytes each. Each segment in main memory is 512 bytes in size.
- Segments 0 to n may be erased in one step, or each segment may be individually erased.
- Segments A to D can be erased individually, or as a group with segments 0 to n. Segments A to D are also called information memory.
- Segment A might contain calibration data. After reset, segment A is protected against programming or erasing. It can be unlocked, but care should be taken not to erase this segment if the calibration data is required.
- Flash content integrity check with marginal read modes.

## 6.9 Peripherals

Peripherals are connected to the CPU through data, address, and control buses. Peripherals can be handled using all instructions. For complete module descriptions, refer to the [MSP430x4xx Family User's Guide](#).

### 6.9.1 Oscillator and System Clock

The clock system is supported by the FLL+ module, which includes support for a 32768-Hz watch crystal oscillator, an internal digitally-controlled oscillator (DCO), and a 8-MHz high-frequency crystal oscillator (XT1), plus a 8-MHz high-frequency crystal oscillator (XT2). The FLL+ clock module is designed to meet the requirements of both low system cost and low power consumption. The FLL+ features digital frequency locked loop (FLL) hardware that, in conjunction with a digital modulator, stabilizes the DCO frequency to a programmable multiple of the watch crystal frequency. The internal DCO provides a fast turn-on clock source and stabilizes in less than 6 s. The FLL+ module provides the following clock signals:

- Auxiliary clock (ACLK), sourced from a 32768-Hz watch crystal or a high-frequency crystal
- Main clock (MCLK), the system clock used by the CPU
- Submain clock (SMCLK), the subsystem clock used by the peripheral modules
- ACLK/n, the buffered output of ACLK, ACLK/2, ACLK/4, or ACLK/8

### 6.9.2 Brownout, Supply Voltage Supervisor (SVS)

The brownout circuit provides the proper internal reset signal to the device during power-on and power-off. The SVS circuitry detects if the supply voltage drops below a user-selectable level and supports both supply voltage supervision (the device is automatically reset) and supply voltage monitoring (the device is not automatically reset).

The CPU begins code execution after the brownout circuit releases the device reset. However,  $V_{CC}$  may not have ramped to  $V_{CC(min)}$  at that time. The user must make sure the default FLL+ settings are not changed until  $V_{CC}$  reaches  $V_{CC(min)}$ . If desired, the SVS circuit can be used to determine when  $V_{CC}$  reaches  $V_{CC(min)}$ .

### 6.9.3 Digital I/O

There are six 8-bit I/O ports implemented—ports P1 through P6:

- All individual I/O bits are independently programmable.
- Any combination of input, output, and interrupt conditions is possible.
- Edge-selectable interrupt input capability for all the eight bits of ports P1 and P2.
- Read and write access to port-control registers is supported by all instructions

### 6.9.4 Watchdog Timer (WDT+)

The primary function of the WDT+ module is to perform a controlled system restart after a software problem occurs. If the selected time interval expires, a system reset is generated. If the watchdog function is not needed in an application, the module can be configured as an interval timer and can generate interrupts at selected time intervals.

### 6.9.5 Basic Timer1 and Real-Time Clock

The Basic Timer1 has two independent 8-bit timers that can be cascaded to form a 16-bit timer/counter. Both timers can be read and written by software. Basic Timer1 is extended to provide an integrated real-time clock (RTC). An internal calendar compensates for months with less than 31 days and includes leap-year correction.

### 6.9.6 LCD\_A Drive With Regulated Charge Pump

The LCD\_A driver generates the segment and common signals required to drive an LCD display. The LCD\_A controller has dedicated data memory to hold segment drive information. Common and segment signals are generated as defined by the mode. Static, 2-MUX, 3-MUX, and 4-MUX LCDs are supported by this peripheral. The module can provide a LCD voltage independent of the supply voltage via an integrated charge pump. Furthermore, it is possible to control the level of the LCD voltage and, thus, contrast in software.

### 6.9.7 Timer\_A3

Timer\_A3 is a 16-bit timer or counter with three capture/compare registers. Timer\_A3 can support multiple capture/compares, PWM outputs, and interval timing. Timer\_A3 also has extensive interrupt capabilities. Interrupts may be generated from the counter on overflow conditions and from each of the capture/compare registers.

**Table 6-5. Timer\_A3 Signal Connections**

| INPUT PIN NUMBER |            | DEVICE INPUT SIGNAL | MODULE INPUT NAME | MODULE BLOCK | MODULE OUTPUT SIGNAL | OUTPUT PIN NUMBER |            |
|------------------|------------|---------------------|-------------------|--------------|----------------------|-------------------|------------|
| PN               | ZCA OR ZQW |                     |                   |              |                      | PN                | ZCA OR ZQW |
| P1.5 - 51        | F11        | TACLK               | TACLK             | Timer        | NA                   |                   |            |
|                  |            | ACLK                | ACLK              |              |                      |                   |            |
|                  |            | SMCLK               | SMCLK             |              |                      |                   |            |
| P1.5 - 51        | F11        | TAINCLK             | INCLK             |              |                      |                   |            |
| P1.0 - 58        | C11        | TA0                 | CCI0A             | CCR0         | TA0                  | P1.0 - 58         | C11        |
| P1.1 - 57        | C12        | TA0                 | CCI0B             |              |                      | P1.1 - 57         | C12        |
|                  |            | DVSS                | GND               |              |                      |                   |            |
|                  |            | DVCC                | VCC               |              |                      |                   |            |
| P1.2 - 56        | D11        | TA1                 | CCI1A             | CCR1         | TA1                  | P1.2 - 56         | D11        |
|                  |            | CAOUT (internal)    | CCI1B             |              |                      |                   |            |
|                  |            | DVSS                | GND               |              |                      |                   |            |
|                  |            | DVCC                | VCC               |              |                      |                   |            |
| P2.0 - 4         | C2         | TA2                 | CCI2A             | CCR2         | TA2                  | P2.0 - 4          | C2         |
|                  |            | ACLK (internal)     | CCI2B             |              |                      |                   |            |
|                  |            | DVSS                | GND               |              |                      |                   |            |
|                  |            | DVCC                | VCC               |              |                      |                   |            |

### 6.9.8 Timer\_B3

Timer\_B3 is a 16-bit timer/counter with three capture/compare registers. Timer\_B3 can support multiple capture/compares, PWM outputs, and interval timing. Timer\_B3 also has extensive interrupt capabilities. Interrupts may be generated from the counter on overflow conditions and from each of the capture/compare registers.

**Table 6-6. Timer\_B3 Signal Connections**

| INPUT PIN NUMBER |            | DEVICE INPUT SIGNAL             | MODULE INPUT NAME | MODULE BLOCK | MODULE OUTPUT SIGNAL | OUTPUT PIN NUMBER |            |
|------------------|------------|---------------------------------|-------------------|--------------|----------------------|-------------------|------------|
| PN               | ZCA OR ZQW |                                 |                   |              |                      | PN                | ZCA OR ZQW |
| P1.4 - 54        | E11        | TBCLK                           | TBCLK             | Timer        | NA                   |                   |            |
|                  |            | ACLK                            | ACLK              |              |                      |                   |            |
|                  |            | SMCLK                           | SMCLK             |              |                      |                   |            |
| P1.4 - 54        | E11        | $\overline{\text{TBCLK}}^{(1)}$ | INCLK             |              |                      |                   |            |
| P2.1 - 3         | C1         | TB0                             | CCI0A             | CCR0         | TB0                  | P2.1 - 3          | C1         |
| P2.1 - 3         | C1         | TB0                             | CCI0B             |              |                      |                   |            |
|                  |            | VSS                             | GND               |              |                      |                   |            |
|                  |            | VCC                             | VCC               |              |                      |                   |            |
| P2.2 - 2         | B1         | TB1                             | CCI1A             | CCR1         | TB1                  | P2.2 - 2          | B1         |
| P2.2 - 2         | B1         | TB1                             | CCI1B             |              |                      |                   |            |
|                  |            | VSS                             | GND               |              |                      |                   |            |
|                  |            | VCC                             | VCC               |              |                      |                   |            |
| P2.3 - 77        | B4         | TB2                             | CCI2A             | CCR2         | TB2                  | P2.3 - 77         | B4         |
|                  |            | ACLK (internal)                 | CCI2B             |              |                      |                   |            |
|                  |            | VSS                             | GND               |              |                      |                   |            |
|                  |            | VCC                             | VCC               |              |                      |                   |            |

(1) The inversion of TBCLK is done inside the module.

### 6.9.9 Universal Serial Communication Interface (USCI)

The USCI modules are used for serial data communication. The USCI module supports synchronous communication protocols like SPI (3-pin or 4-pin), I<sup>2</sup>C, and asynchronous communication protocols like UART, enhanced UART with automatic baudrate detection, and IrDA.

The USCI\_A0 module provides support for SPI (3-pin or 4-pin), UART, enhanced UART and IrDA.

The USCI\_B0 module provides support for SPI (3-pin or 4-pin) and I<sup>2</sup>C.

### 6.9.10 Comparator\_A

The primary function of the comparator\_A module is to support precision slope analog-to-digital conversions, battery-voltage supervision, and monitoring of external analog signals.

### 6.9.11 SD16\_A

The SD16\_A module supports 16-bit analog-to-digital conversions. The module implements a 16-bit sigma-delta core and a reference generator. In addition to external analog inputs, an internal VCC sense and temperature sensor are also available.

### 6.9.12 DAC12

The DAC12 module is a 12-bit R-ladder voltage-output DAC. The DAC12 can be used in 8-bit or 12-bit mode and can be used in conjunction with the DMA controller. When multiple DAC12 modules are present, they may be grouped together for synchronous operation.

### 6.9.13 Peripheral File Map

Table 6-7 lists the registers and addresses for peripherals with word access. Table 6-8 lists the registers and addresses for peripherals with byte access.

**Table 6-7. Peripherals With Word Access**

| MODULE                         | REGISTER NAME                  | ACRONYM    | ADDRESS |
|--------------------------------|--------------------------------|------------|---------|
| Watchdog                       | Watchdog timer control         | WDTCTL     | 0120h   |
| Timer_B3                       | Capture/compare register 2     | TBCCR2     | 0 96h   |
|                                | Capture/compare register 1     | TBCCR1     | 0 94h   |
|                                | Capture/compare register 0     | TBCCR0     | 0192h   |
|                                | Timer_B register               | TBR        | 0190h   |
|                                | Capture/compare control 2      | TBCCTL2    | 0186h   |
|                                | Capture/compare control 1      | TBCCTL1    | 0184h   |
|                                | Capture/compare control 0      | TBCCTL0    | 0182h   |
|                                | Timer_B control                | TBCTL      | 0180h   |
|                                | Timer_B interrupt vector       | TBIV       | 011Eh   |
| Timer_A3                       | Capture/compare register 2     | TACCR1     | 0176h   |
|                                | Capture/compare register 1     | TACCR1     | 0174h   |
|                                | Capture/compare register 0     | TACCR0     | 0172h   |
|                                | Timer_A register               | TAR        | 0170h   |
|                                | Capture/compare control 2      | TACCTL2    | 0166h   |
|                                | Capture/compare control 1      | TACCTL1    | 0164h   |
|                                | Capture/compare control 0      | TACCTL0    | 0162h   |
|                                | Timer_A control                | TACTL      | 0160h   |
|                                | Timer_A interrupt vector       | TAIV       | 012Eh   |
| Flash                          | Flash control 4                | FCTL4      | 01BEh   |
|                                | Flash control 3                | FCTL3      | 012Ch   |
|                                | Flash control 2                | FCTL2      | 012Ah   |
|                                | Flash control 1                | FCTL1      | 0128h   |
| DAC12                          | DAC12_0 data                   | DAC12_0DAT | 01C8h   |
|                                | DAC12_0 control                | DAC12_0CTL | 01C0h   |
| SD16_A (also see<br>Table 6-8) | General control                | SD16CTL    | 0100h   |
|                                | Channel 0 control              | SD16CCTL0  | 0102h   |
|                                | Channel 0 conversion memory    | SD16MEM0   | 0112h   |
|                                | Interrupt vector word register | SD16IV     | 0110h   |

**Table 6-8. Peripherals With Byte Access**

| MODULE                      | REGISTER NAME  | ACRONYM  | ADDRESS  |
|-----------------------------|--|--|--|
| SD16_A (also see Table 6-7) | Channel 0 input control<br>Analog enable   | SD16INCTL0<br>SD16AE   | 0B0h<br>0B7h   |
| LCD_A                       | LCD Voltage Control 1<br>LCD Voltage Control 0<br>LCD Voltage Port Control 1<br>LCD Voltage Port Control 0<br>LCD memory 20<br>:<br>LCD memory 16<br>LCD memory 15<br>:<br>LCD memory 1<br>LCD control and mode  | LCDAVCTL1<br>LCDAVCTL0<br>LCDAPCTL1<br>LCDAPCTL0<br>LCDM20<br>:<br>LCDM16<br>LCDM15<br>:<br>LCDM1<br>LCDCTL  | 0AFh<br>0AEh<br>0ADh<br>0ACh<br>0A4h<br>:<br>0A0h<br>09Fh<br>:<br>091h<br>090h                             |
| USCI_A0, USCI_B0            | USCI A0 auto baud rate control<br>USCI A0 transmit buffer<br>USCI A0 receive buffer<br>USCI A0 status<br>USCI A0 modulation control<br>USCI A0 baud rate control 1<br>USCI A0 baud rate control 0<br>USCI A0 control 1<br>USCI A0 control 0<br>USCI A0 IrDA receive control<br>USCI A0 IrDA transmit control   | UCA0ABCTL<br>UCA0TXBUF<br>UCA0RXBUF<br>UCA0STAT<br>UCA0MCTL<br>UCA0BR1<br>UCA0BR0<br>UCA0CTL1<br>UCA0CTL0<br>UCA0IRRCTL<br>UCA0IRRTCTL                       | 0x005D<br>0x0067<br>0x0066<br>0x0065<br>0x0064<br>0x0063<br>0x0062<br>0x0061<br>0x0060<br>0x005F<br>0x005E |
|                             | USCI B0 transmit buffer<br>USCI B0 receive buffer<br>USCI B0 status<br>USCI B0 I2C Interrupt enable<br>USCI B0 baud rate control 1<br>USCI B0 baud rate control 0<br>USCI B0 control 1<br>USCI B0 control 0<br>USCI B0 I2C slave address<br>USCI B0 I2C own address  | UCB0TXBUF<br>UCB0RXBUF<br>UCB0STAT<br>UCB0CIE<br>UCB0BR1<br>UCB0BR0<br>UCB0CTL1<br>UCB0CTL0<br>UCB0SA<br>UCB0OA  | 0x006F<br>0x006E<br>0x006D<br>0x006C<br>0x006B<br>0x006A<br>0x0069<br>0x0068<br>0x011A<br>0x0118           |
| Comparator_A                | Comparator_A port disable<br>Comparator_A control 2<br>Comparator_A control 1  | CAPD<br>CACTL2<br>CACTL1   | 05Bh<br>05Ah<br>059h   |
| Brownout, SVS               | SVS control register (reset by brownout signal)  | SVSCTL   | 056h   |
| FLL+ Clock                  | FLL+ Control 1<br>FLL+ Control 0<br>System clock frequency control<br>System clock frequency integrator<br>System clock frequency integrator   | FLL_CTL1<br>FLL_CTL0<br>SCFQCTL<br>SCFI1<br>SCFI0  | 054h<br>053h<br>052h<br>051h<br>050h   |
| RTC<br>(Basic Timer 1)      | Real Time Clock Year High Byte<br>Real Time Clock Year Low Byte<br>Real Time Clock Month<br>Real Time Clock Day of Month<br>Basic Timer1 Counter 2<br>Basic Timer1 Counter 1<br>Real Time Counter 4 (Real Time Clock Day of Week)<br>Real Time Counter 3 (Real Time Clock Hour)<br>Real Time Counter 2 (Real Time Clock Minute)<br>Real Time Counter 1 (Real Time Clock Second)<br>Real Time Clock Control<br>Basic Timer1 Control | RTCYEARH<br>RTCYEARL<br>RTCMON<br>RTCDAV<br>BTCNT2<br>BTCNT1<br>RTCNT4 (RTCDOW)<br>RTCNT3 (RTCHOUR)<br>RTCNT2 (RTCMIN)<br>RTCNT1 (RTCSEC)<br>RTCCTL<br>BTCTL | 04Fh<br>04Eh<br>04Dh<br>04Ch<br>047h<br>046h<br>045h<br>044h<br>043h<br>042h<br>041h<br>040h               |
| Port P6                     | Port P6 selection<br>Port P6 direction<br>Port P6 output<br>Port P6 input  | P6SEL<br>P6DIR<br>P6OUT<br>P6IN  | 037h<br>036h<br>035h<br>034h   |
| Port P5                     | Port P5 selection<br>Port P5 direction<br>Port P5 output<br>Port P5 input  | P5SEL<br>P5DIR<br>P5OUT<br>P5IN  | 033h<br>032h<br>031h<br>030h   |

**Table 6-8. Peripherals With Byte Access (continued)**

| MODULE            | REGISTER NAME                 | ACRONYM | ADDRESS |
|-------------------|-------------------------------|---------|---------|
| Port P4           | Port P4 selection             | P4SEL   | 01Fh    |
|                   | Port P4 direction             | P4DIR   | 01Eh    |
|                   | Port P4 output                | P4OUT   | 01Dh    |
|                   | Port P4 input                 | P4IN    | 01Ch    |
| Port P3           | Port P3 selection             | P3SEL   | 01Bh    |
|                   | Port P3 direction             | P3DIR   | 01Ah    |
|                   | Port P3 output                | P3OUT   | 019h    |
|                   | Port P3 input                 | P3IN    | 018h    |
| Port P2           | Port P2 selection             | P2SEL   | 02Eh    |
|                   | Port P2 interrupt enable      | P2IE    | 02Dh    |
|                   | Port P2 interrupt-edge select | P2IES   | 02Ch    |
|                   | Port P2 interrupt flag        | P2IFG   | 02Bh    |
|                   | Port P2 direction             | P2DIR   | 02Ah    |
|                   | Port P2 output                | P2OUT   | 029h    |
|                   | Port P2 input                 | P2IN    | 028h    |
| Port P1           | Port P1 selection             | P1SEL   | 026h    |
|                   | Port P1 interrupt enable      | P1IE    | 025h    |
|                   | Port P1 interrupt-edge select | P1IES   | 024h    |
|                   | Port P1 interrupt flag        | P1IFG   | 023h    |
|                   | Port P1 direction             | P1DIR   | 022h    |
|                   | Port P1 output                | P1OUT   | 021h    |
|                   | Port P1 input                 | P1IN    | 020h    |
| Special functions | SFR module enable 2           | ME2     | 005h    |
|                   | SFR module enable 1           | ME1     | 004h    |
|                   | SFR interrupt flag 2          | IFG2    | 003h    |
|                   | SFR interrupt flag 1          | IFG1    | 002h    |
|                   | SFR interrupt enable 2        | IE2     | 001h    |
|                   | SFR interrupt enable 1        | IE1     | 000h    |



## 6.10 Input/Output Schematics

### 6.10.1 Port P1, P1.0, Input/Output With Schmitt Trigger

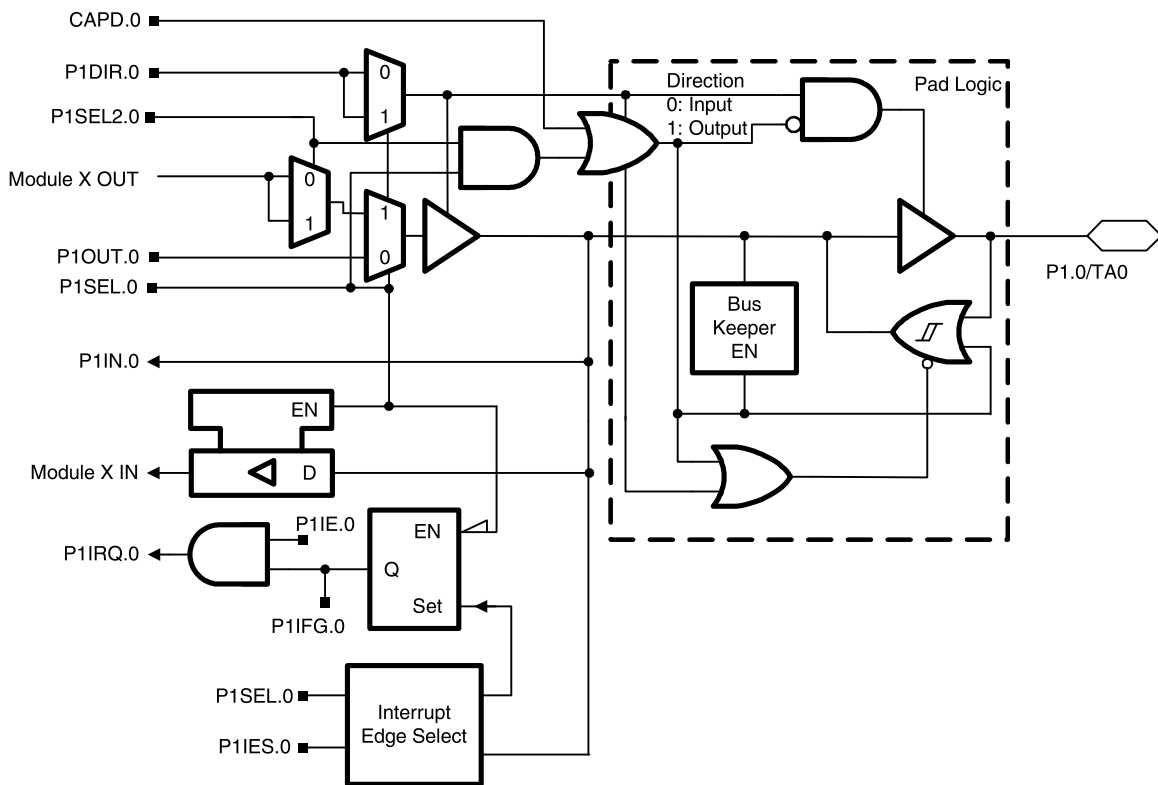


Table 6-9. Port P1 (P1.0) Pin Functions

| PIN NAME (P1.X) | X | FUNCTION       | CONTROL BITS / SIGNALS <sup>(1)</sup> |            |         |          |
|-----------------|---|----------------|---------------------------------------|------------|---------|----------|
|                 |   |                | CAPD.x                                | P1DIR.x    | P1SEL.x | P1SEL2.x |
| P1.0/TA0        | 0 | P1.x (I/O)     | 0                                     | I: 0, O: 1 | 0       | 0        |
|                 |   | Timer_A3.CCI0A | 0                                     | 0          | 1       | 0        |
|                 |   | Timer_A3.TA0   | 0                                     | 1          | 1       | 0        |

(1) x = don't care

6.10.2 Port P1, P1.1, Input/Output With Schmitt Trigger

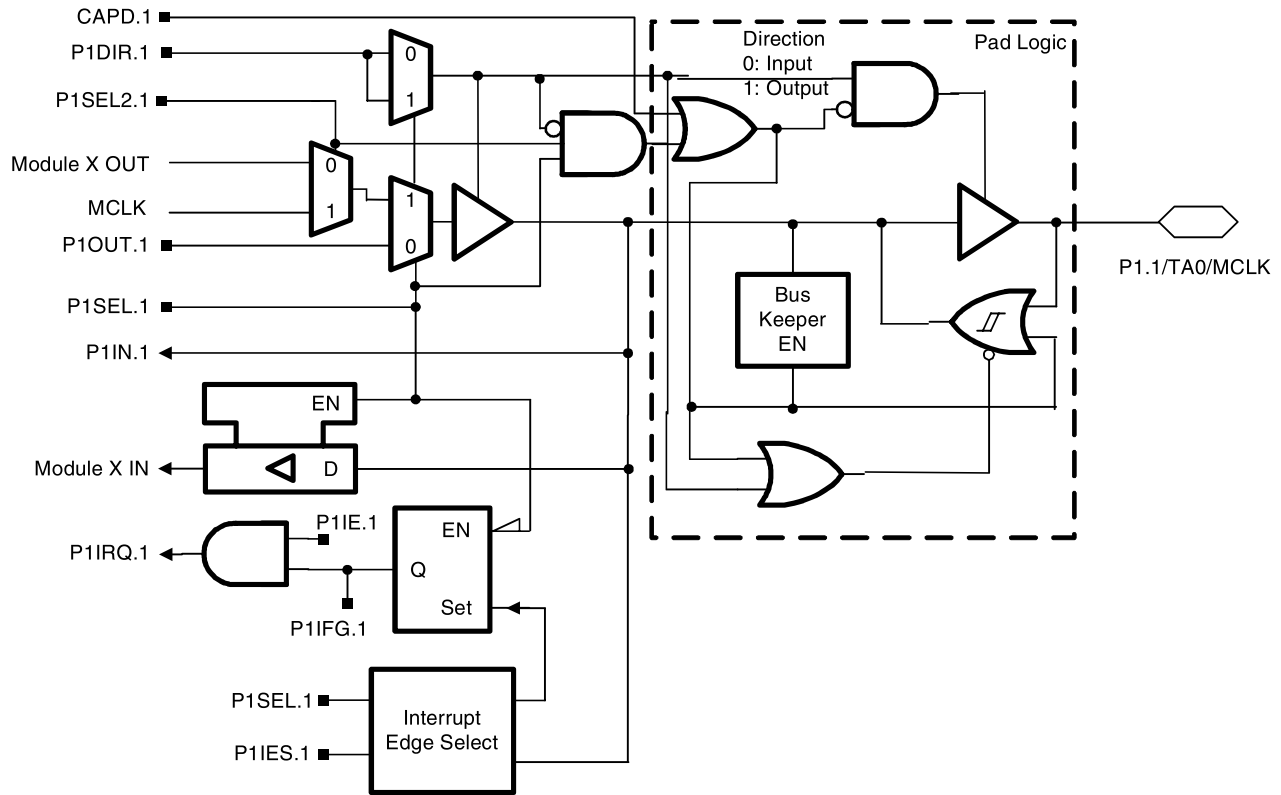


Table 6-10. Port P1 (P1.1) Pin Functions

| PIN NAME (P1.X) | X | FUNCTION       | CONTROL BITS / SIGNALS <sup>(1)</sup> |            |         |          |
|-----------------|---|----------------|---------------------------------------|------------|---------|----------|
|                 |   |                | CAPD.x                                | P1DIR.x    | P1SEL.x | P1SEL2.x |
| P1.1/TA0/MCLK   | 1 | P1.x (I/O)     | 0                                     | I: 0, O: 1 | 0       | 0        |
|                 |   | Timer_A3.CCI0A | 0                                     | 0          | 1       | 0        |
|                 |   | Timer_A3.TA0   | 0                                     | 1          | 1       | 0        |
|                 |   | MCLK           | 0                                     | 1          | 1       | 1        |

(1) x = don't care

### 6.10.3 Port P1, P1.2, Input/Output With Schmitt Trigger

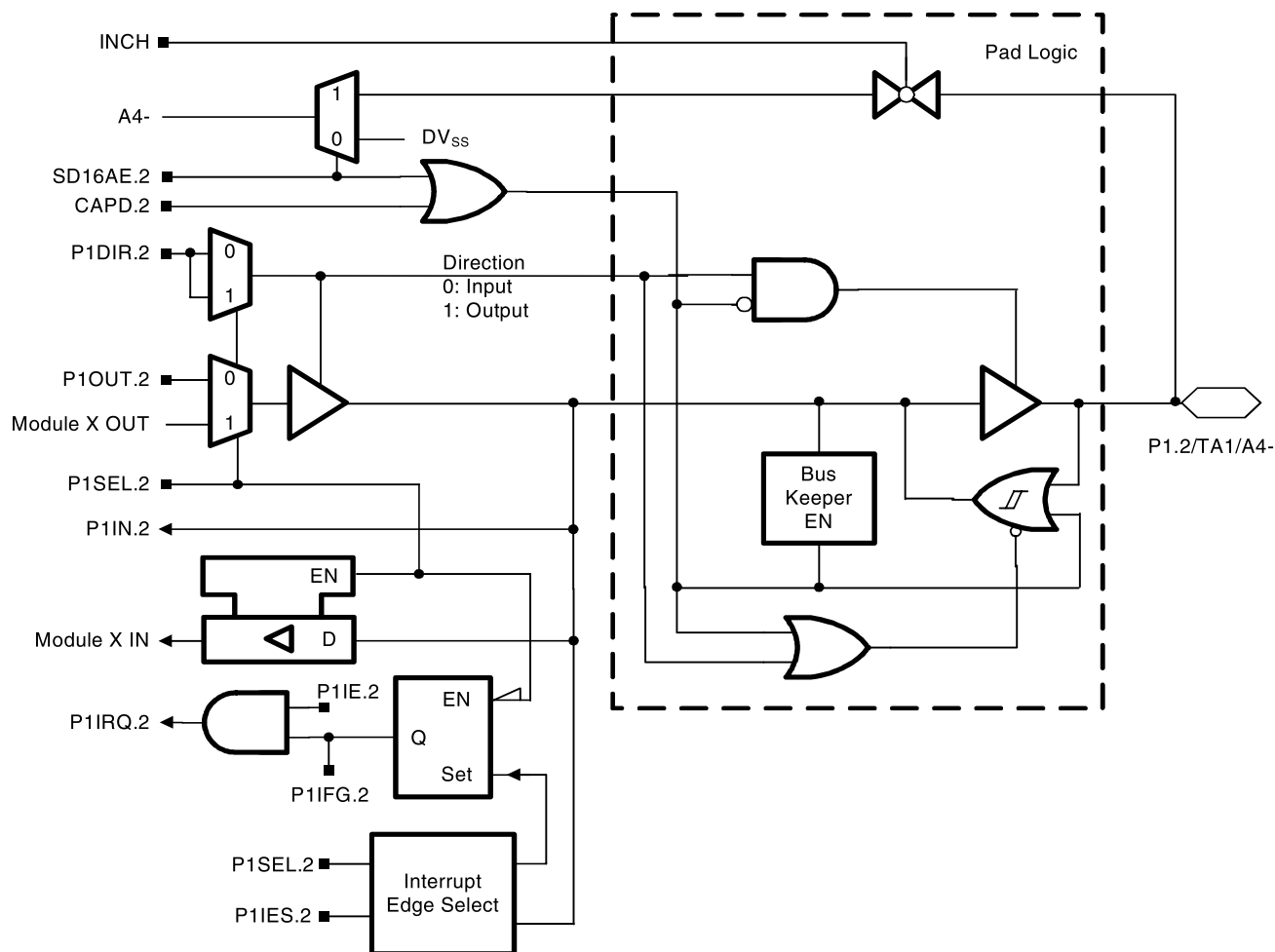


Table 6-11. Port P1 (P1.2) Pin Functions

| PIN NAME (P1.X) | X | FUNCTION      | CONTROL BITS / SIGNALS <sup>(1)</sup> |            |         |                          |
|-----------------|---|---------------|---------------------------------------|------------|---------|--------------------------|
|                 |   |               | CAPD.x                                | P1DIR.x    | P1SEL.x | P1SEL2.x = 0<br>SD16AE.x |
| P1.2/TA1/A4-    | 2 | P1.x (I/O)    | 0                                     | I: 0, O: 1 | 0       | 0                        |
|                 |   | Timer_A3.CC1A | 0                                     | 0          | 1       | 0                        |
|                 |   | Timer_A3.TA1  | 0                                     | 1          | 1       | 0                        |
|                 |   | A4-           | x                                     | x          | x       | 1                        |

(1) x = don't care

### 6.10.4 Port P1, P1.3, Input/Output With Schmitt Trigger

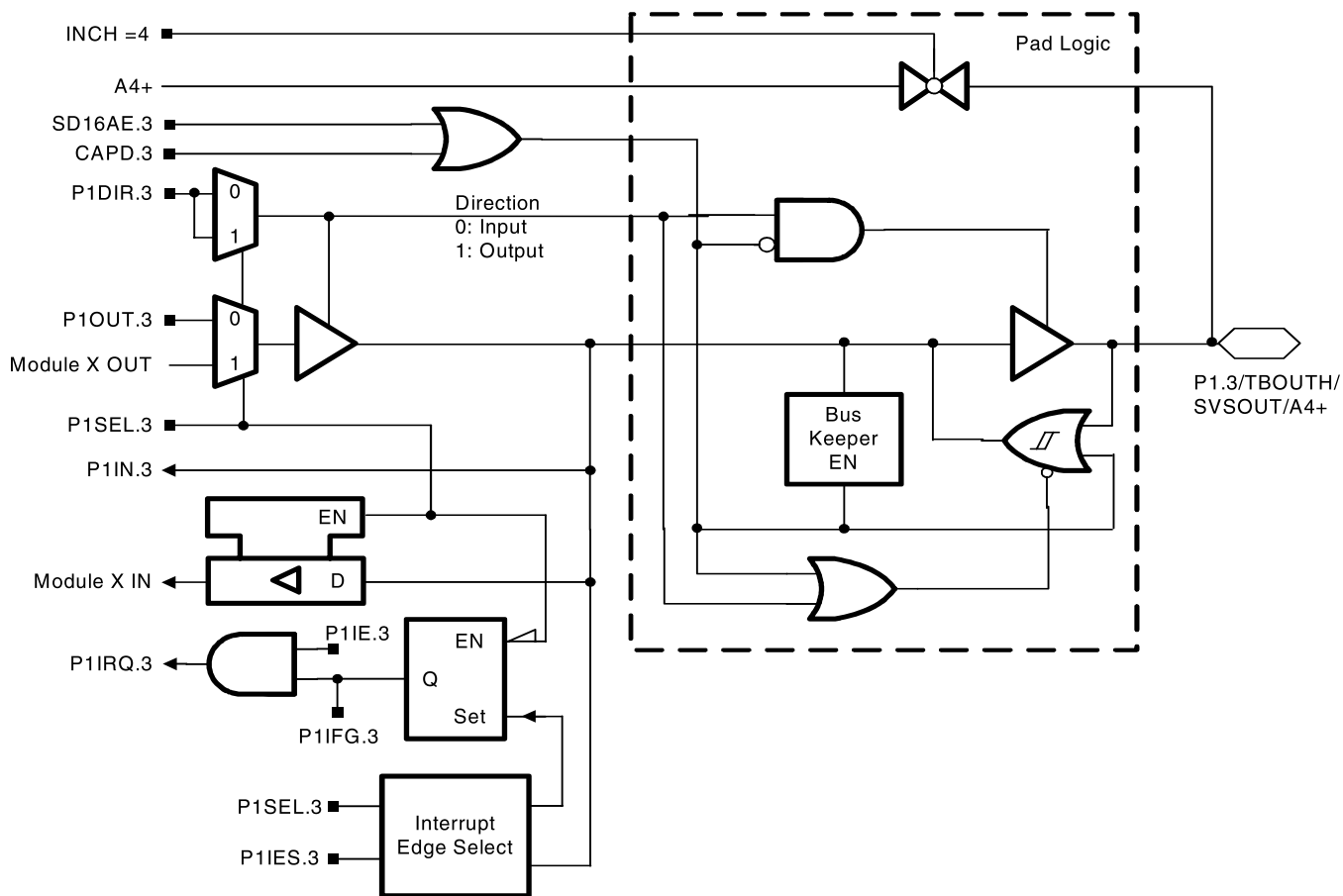


Table 6-12. Port P1 (P1.3) Pin Functions

| PIN NAME (P1.X)            | X | FUNCTION   | CONTROL BITS / SIGNALS <sup>(1)</sup> |            |         |                          |
|----------------------------|---|------------|---------------------------------------|------------|---------|--------------------------|
|                            |   |            | CAPD.x                                | P1DIR.x    | P1SEL.x | P1SEL2.x = 0<br>SD16AE.x |
| P1.3/TBOUTH/<br>SVSOUT/A4+ | 3 | P1.x (I/O) | 0                                     | I: 0, O: 1 | 0       | 0                        |
|                            |   | TBOUTH     | 0                                     | 0          | 1       | 0                        |
|                            |   | SVSOUT     | 0                                     | 1          | 1       | 0                        |
|                            |   | A4+        | x                                     | x          | x       | 1                        |

(1) x = don't care

### 6.10.5 Port P1, P1.4, Input/Output With Schmitt Trigger

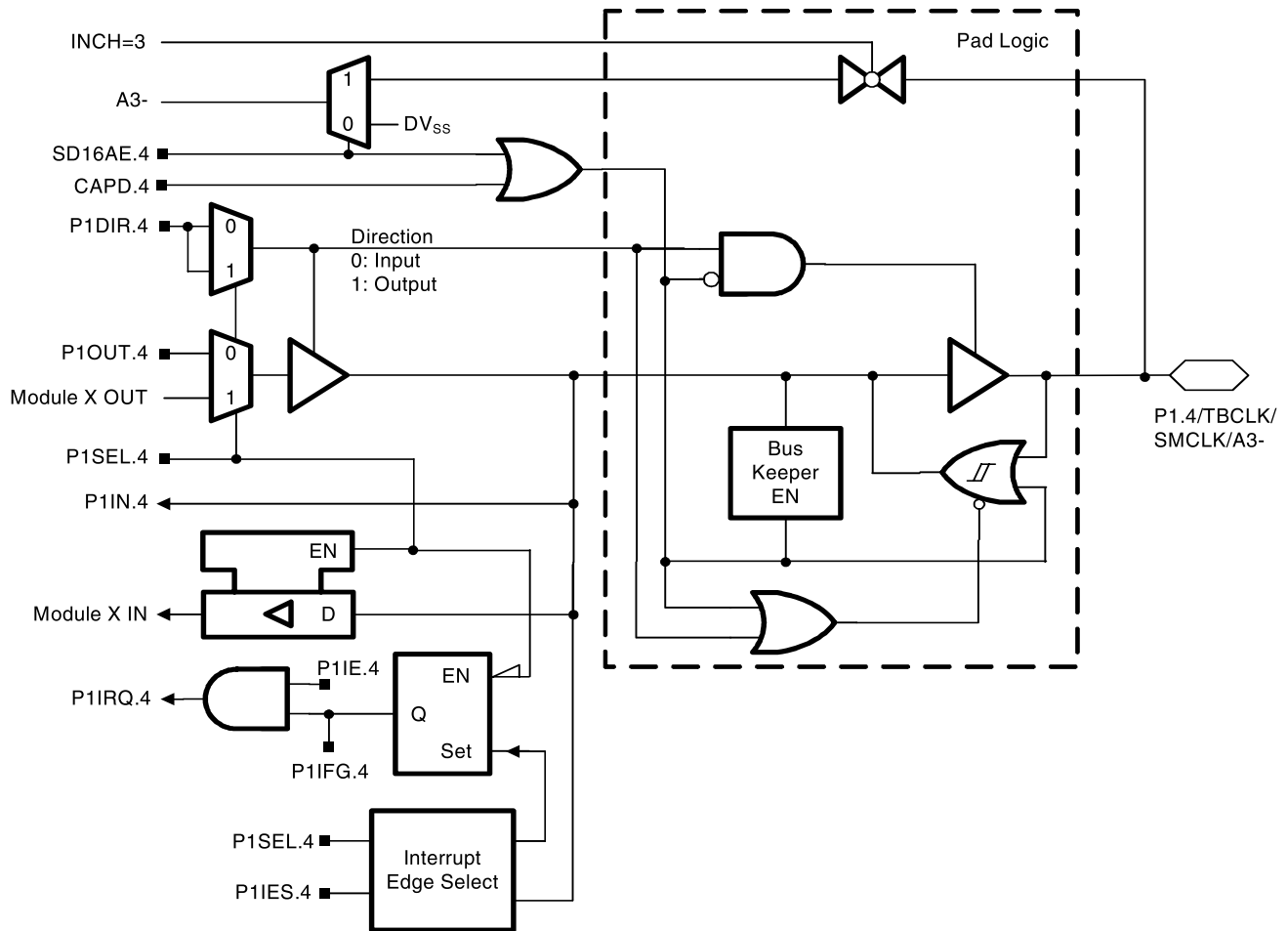


Table 6-13. Port P1 (P1.4) Pin Functions

| PIN NAME (P1.X)      | X | FUNCTION   | CONTROL BITS / SIGNALS <sup>(1)</sup> |            |         |                          |
|----------------------|---|------------|---------------------------------------|------------|---------|--------------------------|
|                      |   |            | CAPD.x                                | P1DIR.x    | P1SEL.x | P1SEL2.x = 0<br>SD16AE.x |
| P1.4/TBCLK/SMCLK/A3- | 4 | P1.x (I/O) |                                       | I: 0, O: 1 | 0       | 0                        |
|                      |   | TBCLK      |                                       | 0          | 1       | 0                        |
|                      |   | SMCLK      |                                       | 1          | 1       | 0                        |
|                      |   | A3-        |                                       | x          | x       | 1                        |

(1) x = don't care

6.10.6 Port P1, P1.5, Input/Output With Schmitt Trigger

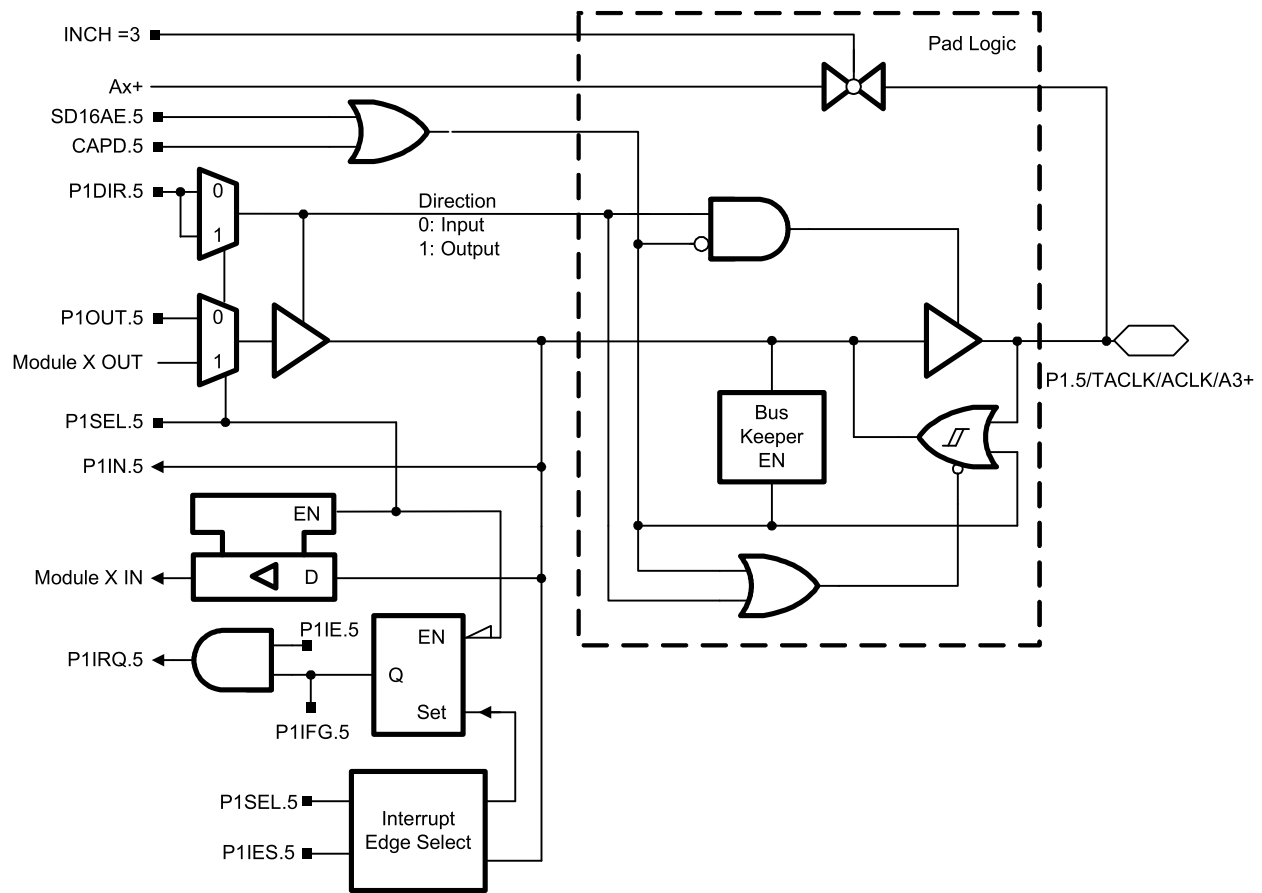


Table 6-14. Port P1 (P1.5) Pin Functions

| PIN NAME (P1.X)    | X | FUNCTION   | CONTROL BITS / SIGNALS <sup>(1)</sup> |            |         |                          |
|--------------------|---|------------|---------------------------------------|------------|---------|--------------------------|
|                    |   |            | CAPD.x                                | P1DIR.x    | P1SEL.x | P1SEL2.x = 0<br>SD16AE.x |
| P1.5/ACLK/ACLK/A3+ | 5 | P1.x (I/O) | 0                                     | I: 0, O: 1 | 0       | 0                        |
|                    |   | TACLK      | 0                                     | 0          | 1       | 0                        |
|                    |   | ACLK       | 0                                     | 1          | 1       | 0                        |
|                    |   | A3+        | x                                     | x          | x       | 1                        |

(1) x = don't care

6.10.7 Port P1, P1.6, Input/Output With Schmitt Trigger

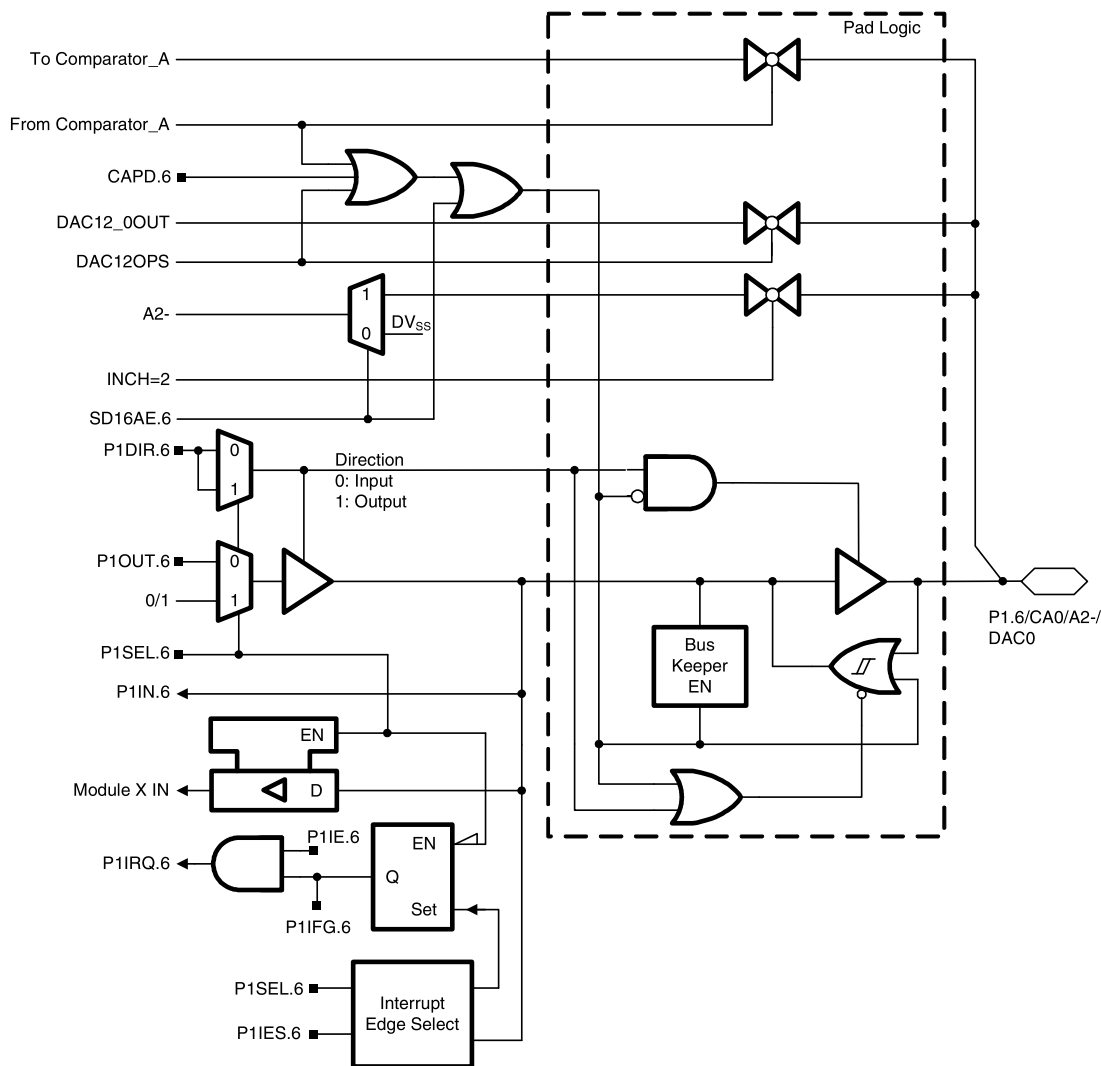


Table 6-15. Port P1 (P1.6) Pin Functions

| PIN NAME (P1.X)   | X | FUNCTION   | CONTROL BITS / SIGNALS <sup>(1)</sup> |         |                        |                          |                                       |
|-------------------|---|------------|---------------------------------------|---------|------------------------|--------------------------|---------------------------------------|
|                   |   |            | P1DIR.x                               | P1SEL.x | P1SEL2.x = 0<br>CAPD.x | P1SEL2.x = 0<br>SD16AE.x | P1SEL2.x = 0<br>DAC12OPS<br>(DAC12_0) |
| P1.6/CA0/A2-/DAC0 | 6 | P1.x (I/O) | I: 0, O: 1                            | 0       | 0                      | 0                        | 0                                     |
|                   |   | CA0        | x                                     | x       | 1 or selected          | x                        | x                                     |
|                   |   | A2-        | x                                     | x       | x                      | 1                        | x                                     |
|                   |   | DAC0       | x                                     | x       | x                      | x                        | 1                                     |

(1) x = don't care

6.10.8 Port P1, P1.7, Input/Output With Schmitt Trigger

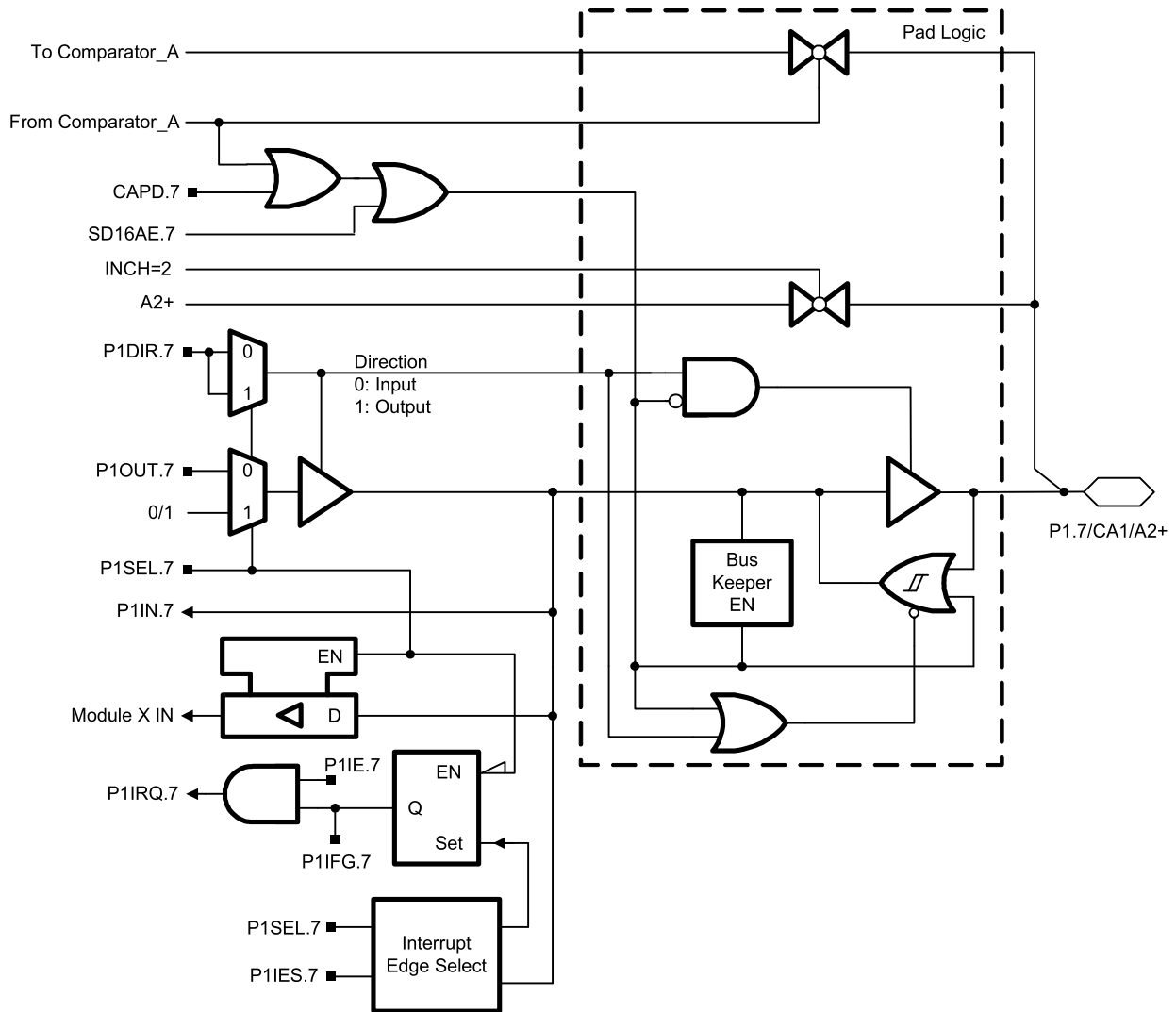


Table 6-16. Port P1 (P1.7) Pin Functions

| PIN NAME (P1.X) | X | FUNCTION   | CONTROL BITS / SIGNALS <sup>(1)</sup> |         |                        |                          |
|-----------------|---|------------|---------------------------------------|---------|------------------------|--------------------------|
|                 |   |            | P1DIR.x                               | P1SEL.x | P1SEL2.x = 0<br>CAPD.x | P1SEL2.x = 0<br>SD16AE.x |
| P1.7/CA1/A2+    | 7 | P1.x (I/O) | I: 0, O: 1                            | 0       | 0                      | 0                        |
|                 |   | CA1        | x                                     | x       | 1 or selected          | x                        |
|                 |   | A2+        | x                                     | x       | x                      | 1                        |

(1) x = don't care



6.10.9 Port P2, P2.0 and P2.1, Input/Output With Schmitt Trigger

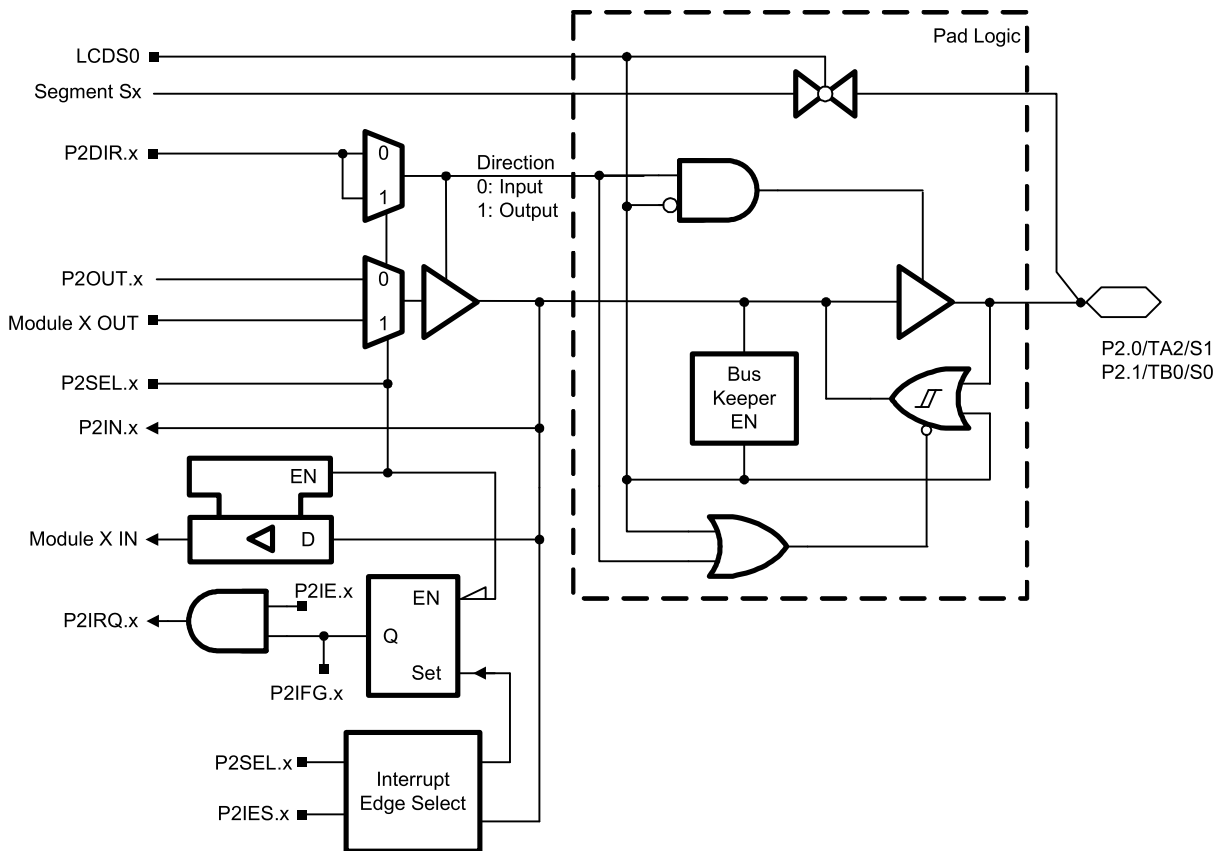


Table 6-17. Port P2 (P2.0 and P2.1) Pin Functions

| PIN NAME (P2.X) | X | FUNCTION       | CONTROL BITS / SIGNALS <sup>(1)</sup> |         |       |
|-----------------|---|----------------|---------------------------------------|---------|-------|
|                 |   |                | P2DIR.x                               | P2SEL.x | LCDS0 |
| P2.0/TA2/S1     | 0 | P2.x (I/O)     | I: 0, O: 1                            | 0       | 0     |
|                 |   | Timer_A3.CCI2A | 0                                     | 1       | 0     |
|                 |   | Timer_A3.TA2   | 1                                     | 1       | 0     |
|                 |   | S1             | x                                     | x       | 1     |
| P2.1/TB0/S0     | 1 | P2.x (I/O)     | I: 0, O: 1                            | 0       | 0     |
|                 |   | Timer_B3.CCI0A | 0                                     | 1       | 0     |
|                 |   | Timer_B3.TB0   | 1                                     | 1       | 0     |
|                 |   | S0             | x                                     | x       | 1     |

(1) x = don't care

6.10.10 Port P2, P2.2 and P2.3, Input/Output With Schmitt Trigger

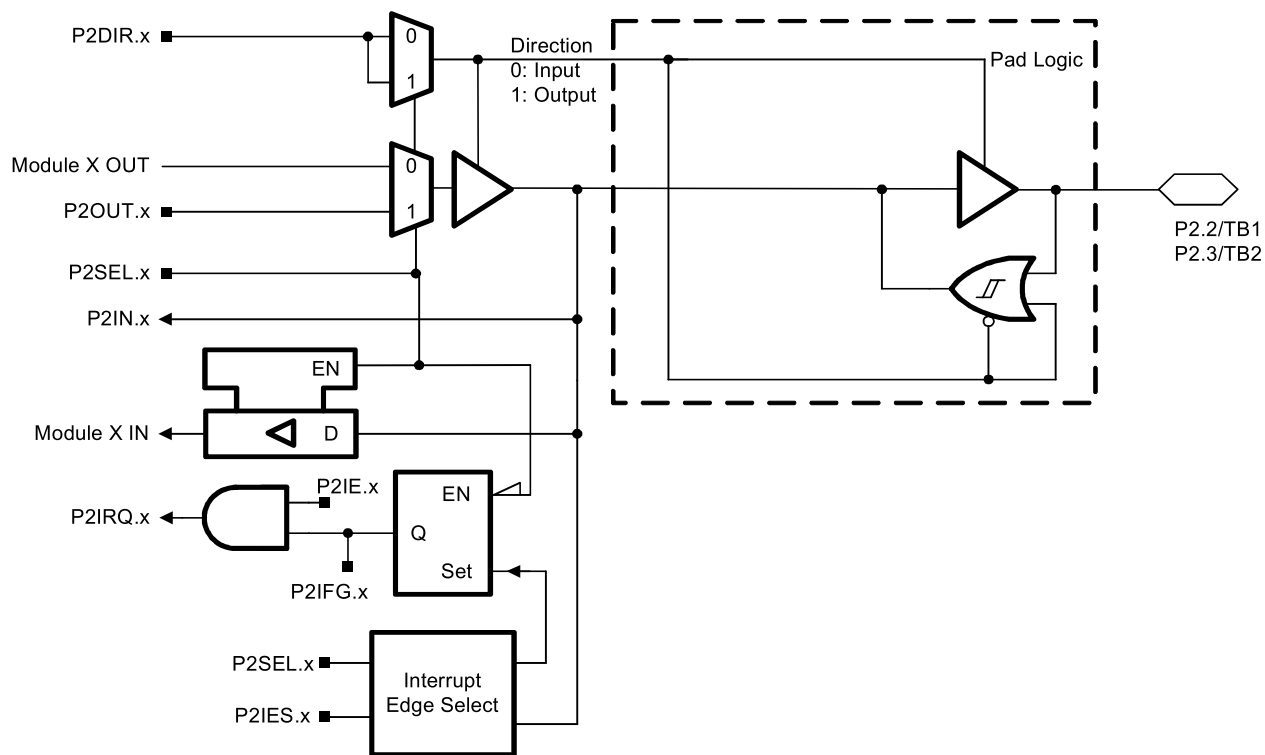


Table 6-18. Port P2 (P2.2 and P2.3) Pin Functions

| PIN NAME (P2.X) | X | FUNCTION       | CONTROL BITS / SIGNALS |         |
|-----------------|---|----------------|------------------------|---------|
|                 |   |                | P2DIR.x                | P2SEL.x |
| P2.2/TB1        | 2 | P2.x (I/O)     | I: 0, O: 1             | 0       |
|                 |   | Timer_B3.CCI1A | 0                      | 1       |
|                 |   | Timer_B3.TB1   | 1                      | 1       |
| P2.3/TB2        | 3 | P2.x (I/O)     | I: 0, O: 1             | 0       |
|                 |   | Timer_B3.CCI2A | 0                      | 1       |
|                 |   | TimerB3.TB2    | 1                      | 1       |

6.10.11 Port P2, P2.4 and P2.5, Input/Output With Schmitt Trigger

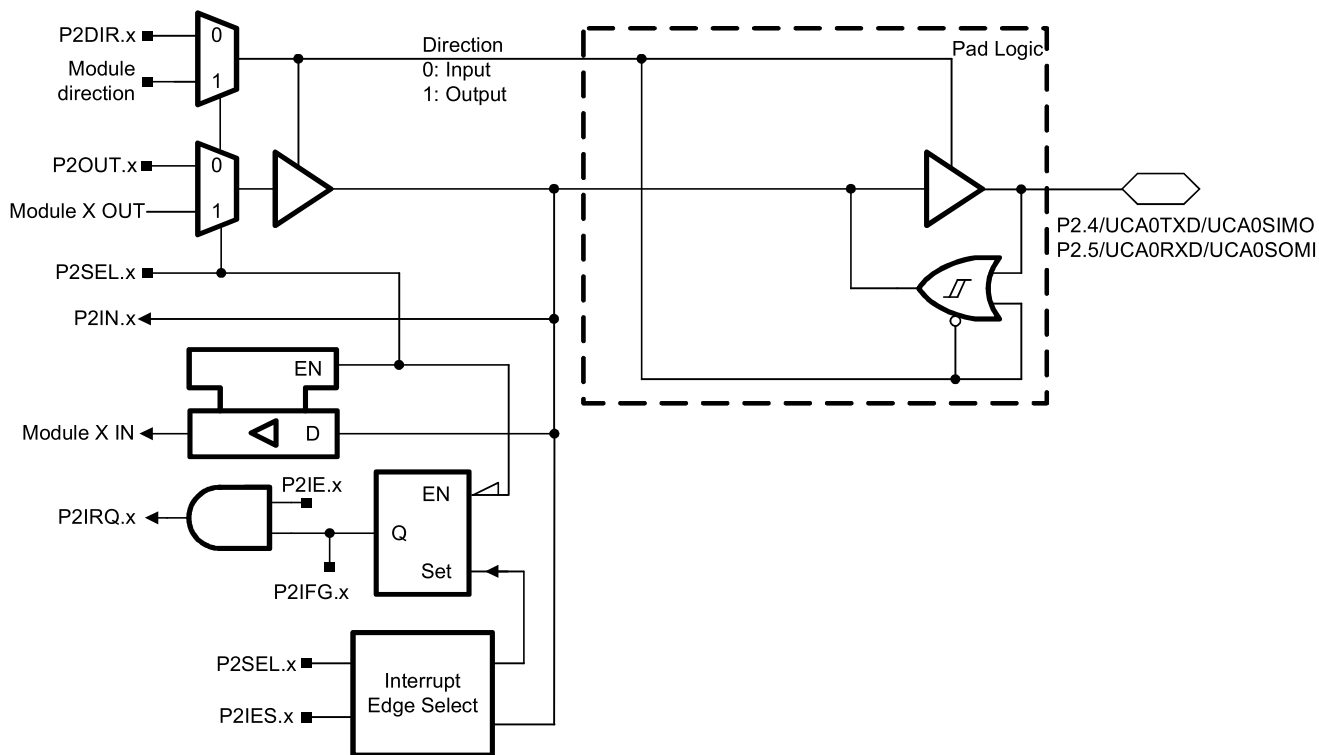
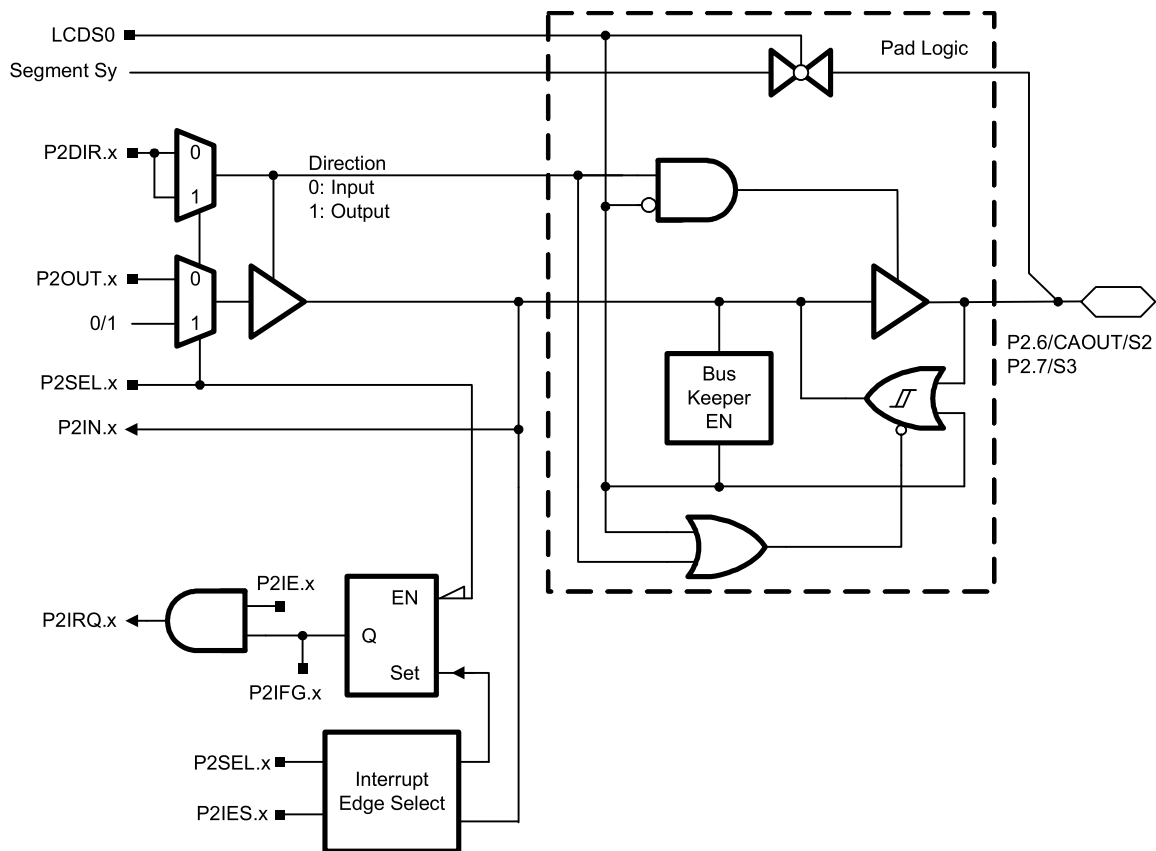


Table 6-19. Port P2 (P2.4 and P2.5) Pin Functions

| PIN NAME (P2.X)       | X | FUNCTION                        | CONTROL BITS / SIGNALS <sup>(1)</sup> |         |
|-----------------------|---|---------------------------------|---------------------------------------|---------|
|                       |   |                                 | P2DIR.x                               | P2SEL.x |
| P2.4/UCA0TXD/UCA0SIMO | 4 | P2.x (I/O)                      | I: 0, O: 1                            | 0       |
|                       |   | UCA0TXD/UCA0SIMO <sup>(2)</sup> | x                                     | 1       |
| P2.5/UCA0RXD/UCA0SOMI | 5 | P2.x (I/O)                      | I: 0, O: 1                            | 0       |
|                       |   | UCA0RXD/UCA0SOMI <sup>(2)</sup> | x                                     | 1       |

(1) x = don't care  
 (2) The pin direction is controlled by the USCI module.

### 6.10.12 Port P2, P2.6 and P2.7, Input/Output With Schmitt Trigger



**Table 6-20. Port P2 (P2.6 and P2.7) Pin Functions**

| PIN NAME (P2.X) | X | FUNCTION   | CONTROL BITS / SIGNALS <sup>(1)</sup> |         |       |
|-----------------|---|------------|---------------------------------------|---------|-------|
|                 |   |            | P2DIR.x                               | P2SEL.x | LCDS0 |
| P2.6/CAOUT/S2   | 6 | P2.x (I/O) | I: 0, O: 1                            | 0       | 0     |
|                 |   | CAOUT      | 1                                     | 1       | 0     |
|                 |   | S2         | x                                     | x       | 1     |
| P2.7/S3         | 7 | P2.x (I/O) | I: 0, O: 1                            | 0       | 0     |
|                 |   | Vss        | 1                                     | 1       | 0     |
|                 |   | S3         | x                                     | x       | 1     |

(1) x = don't care

### 6.10.13 Port P3, P3.0 and P3.3, Input/Output With Schmitt Trigger

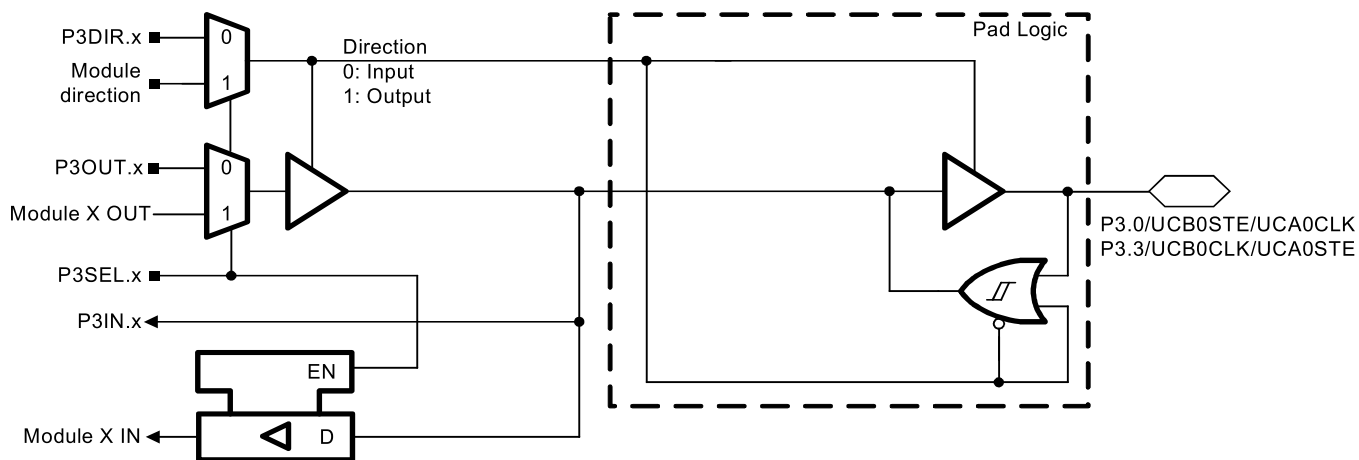


Table 6-21. Port P3 (P3.0 and P3.3) Pin Functions

| PIN NAME (P3.X)      | X | FUNCTION                       | CONTROL BITS / SIGNALS <sup>(1)</sup> |         |
|----------------------|---|--------------------------------|---------------------------------------|---------|
|                      |   |                                | P3DIR.x                               | P3SEL.x |
| P3.0/UCB0STE/UCA0CLK | 0 | P3.x (I/O)                     | I: 0, O: 1                            | 0       |
|                      |   | UCB0STE/UCA0CLK <sup>(2)</sup> | x                                     | 1       |
| P3.3/UCB0CLK/UCA0STE | 3 | P3.x (I/O)                     | I: 0, O: 1                            | 0       |
|                      |   | UCB0CLK/UCA0STE <sup>(2)</sup> | x                                     | 1       |

(1) x = don't care

(2) The pin direction is controlled by the USCI module.

6.10.14 Port P3, P3.1 and P3.2, Input/Output With Schmitt Trigger

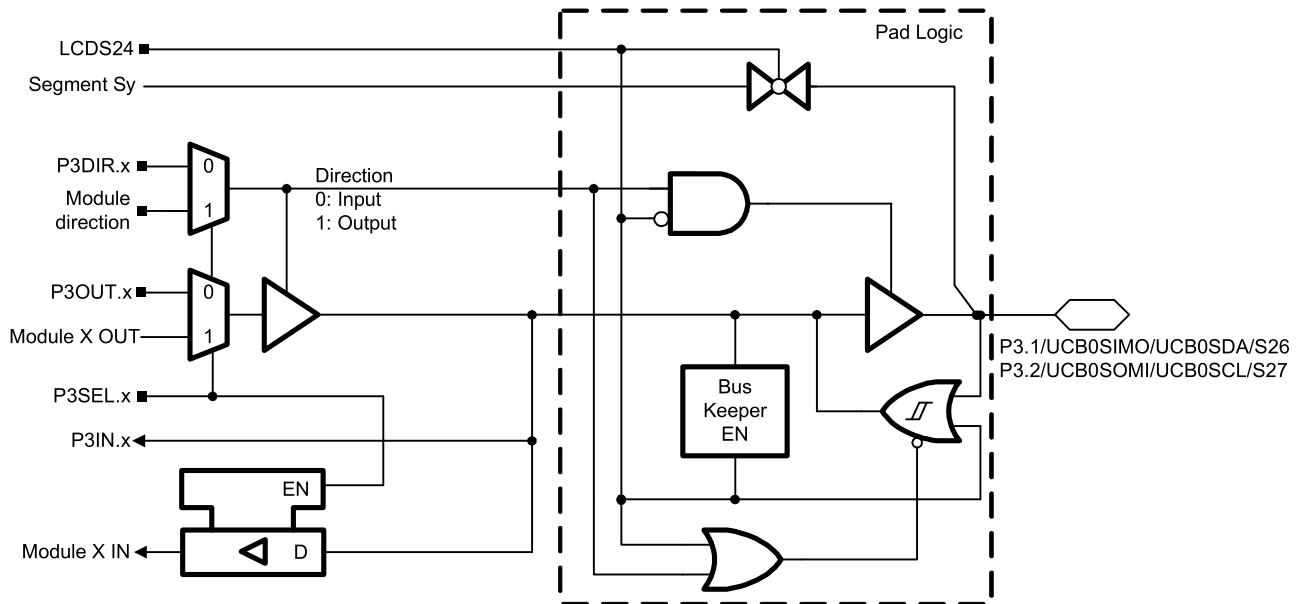


Table 6-22. Port P3 (P3.1 and P3.2) Pin Functions

| PIN NAME (P3.X)           | X | FUNCTION                           | CONTROL BITS / SIGNALS <sup>(1)</sup> |         |        |
|---------------------------|---|------------------------------------|---------------------------------------|---------|--------|
|                           |   |                                    | P3DIR.x                               | P3SEL.x | LCDS24 |
| P3.1/UCB0SIMO/UCB0SDA/S26 | 1 | P3.x (I/O)                         | I: 0, O: 1                            | 0       | 0      |
|                           |   | UCB0SIMO/UCB0SDA <sup>(2)(3)</sup> | x                                     | 1       | 0      |
|                           |   | S26                                | x                                     | x       | 1      |
| P3.2/UCB0SOMI/UCB0SCL/S27 | 2 | P3.x (I/O)                         | I: 0, O: 1                            | 0       | 0      |
|                           |   | UCB0SOMI/UCB0SCL <sup>(2)(3)</sup> | x                                     | 1       | 0      |
|                           |   | S27                                | x                                     | x       | 1      |

- (1) x = don't care
- (2) The pin direction is controlled by the USCI module.
- (3) In case the I2C functionality is selected the output drives only the logical 0 to V<sub>SS</sub> level.

6.10.15 Port P3, P3.4 to P3.7, Input/Output With Schmitt Trigger

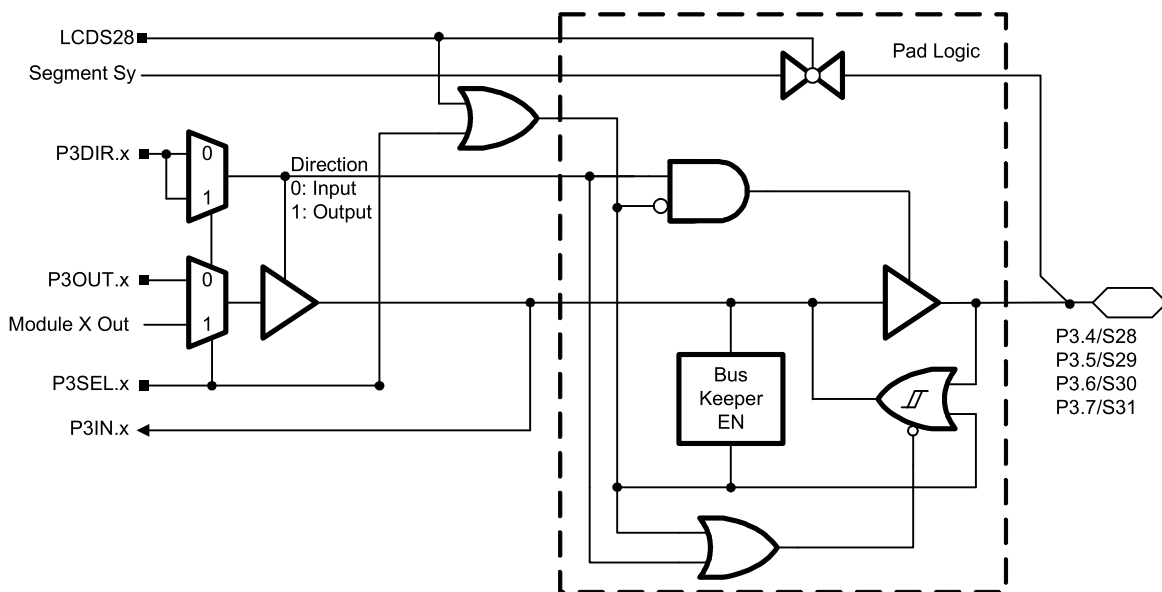


Table 6-23. Port P3 (P3.4 to P3.7) Pin Functions

| PIN NAME (P3.X) | X | FUNCTION   | CONTROL BITS / SIGNALS <sup>(1)</sup> |         |        |
|-----------------|---|------------|---------------------------------------|---------|--------|
|                 |   |            | P3DIR.x                               | P3SEL.x | LCDS28 |
| P3.4/S28        | 4 | P3.x (I/O) | I: 0, O: 1                            | 0       | 0      |
|                 |   | S28        | x                                     | x       | 1      |
| P3.5/S29        | 5 | P3.x (I/O) | I: 0, O: 1                            | 0       | 0      |
|                 |   | S29        | x                                     | x       | 1      |
| P3.6/S30        | 6 | P3.x (I/O) | I: 0, O: 1                            | 0       | 0      |
|                 |   | S30        | x                                     | x       | 1      |
| P3.7/S31        | 7 | P3.x (I/O) | I: 0, O: 1                            | 0       | 0      |
|                 |   | S31        | x                                     | x       | 1      |

(1) x: Don't care

6.10.16 Port P4, P4.0 to P4.7, Input/Output With Schmitt Trigger

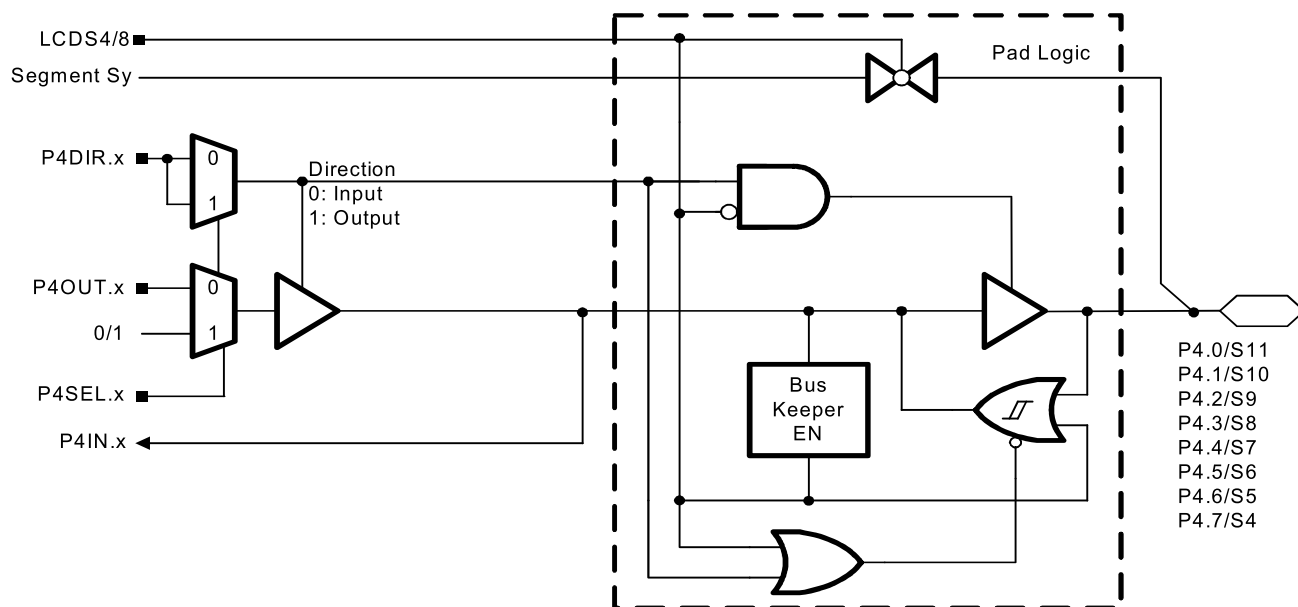


Table 6-24. Port P4 (P4.0 to P4.7) Pin Functions

| PIN NAME (P4.X) | X | FUNCTION   | CONTROL BITS / SIGNALS <sup>(1)</sup> |         |           |
|-----------------|---|------------|---------------------------------------|---------|-----------|
|                 |   |            | P4DIR.x                               | P4SEL.x | LCDS4/8   |
| P4.0/S11        | 0 | P4.x (I/O) | I: 0, O: 1                            | 0       | 0 (LCDS8) |
|                 |   | S11        | x                                     | x       | 1 (LCDS8) |
| P4.1/S10        | 1 | P4.x (I/O) | I: 0, O: 1                            | 0       | 0 (LCDS8) |
|                 |   | S10        | x                                     | x       | 1 (LCDS8) |
| P4.2/S9         | 2 | P4.x (I/O) | I: 0, O: 1                            | 0       | 0 (LCDS8) |
|                 |   | S9         | x                                     | x       | 1 (LCDS8) |
| P4.3/S8         | 3 | P4.x (I/O) | I: 0, O: 1                            | 0       | 0 (LCDS8) |
|                 |   | S8         | x                                     | x       | 1 (LCDS8) |
| P4.4/S7         | 4 | P4.x (I/O) | I: 0, O: 1                            | 0       | 0 (LCDS4) |
|                 |   | S7         | x                                     | x       | 1 (LCDS4) |
| P4.5/S6         | 5 | P4.x (I/O) | I: 0, O: 1                            | 0       | 0 (LCDS4) |
|                 |   | S6         | x                                     | x       | 1 (LCDS4) |
| P4.6/S5         | 6 | P4.x (I/O) | I: 0, O: 1                            | 0       | 0 (LCDS4) |
|                 |   | S5         | x                                     | x       | 1 (LCDS4) |
| P4.7/S4         | 7 | P4.x (I/O) | I: 0, O: 1                            | 0       | 0 (LCDS4) |
|                 |   | S4         | x                                     | x       | 1 (LCDS4) |

(1) x = don't care



6.10.17 Port P5, P5.0 and P5.1, Input/Output With Schmitt Trigger

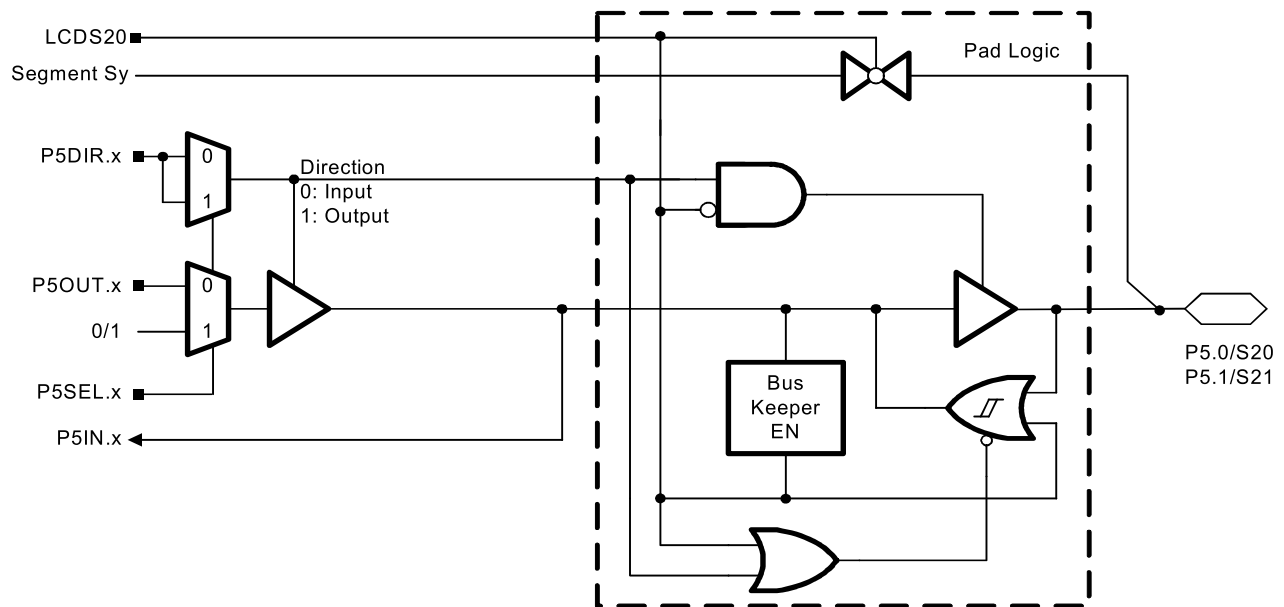


Table 6-25. Port P5 (P5.0 and P5.1) Pin Functions

| PIN NAME (P5.X) | X | FUNCTION   | CONTROL BITS / SIGNALS <sup>(1)</sup> |         |        |
|-----------------|---|------------|---------------------------------------|---------|--------|
|                 |   |            | P5DIR.x                               | P5SEL.x | LCDS20 |
| P5.0/S20        | 0 | P5.x (I/O) | I: 0, O: 1                            | 0       | 0      |
|                 |   | S20        | x                                     | x       | 1      |
| P5.1/S21        | 1 | P5.x (I/O) | I: 0, O: 1                            | 0       | 0      |
|                 |   | S21        | x                                     | x       | 1      |

(1) x = don't care

### 6.10.18 Port P5, P5.2 to P5.7, Input/Output With Schmitt Trigger

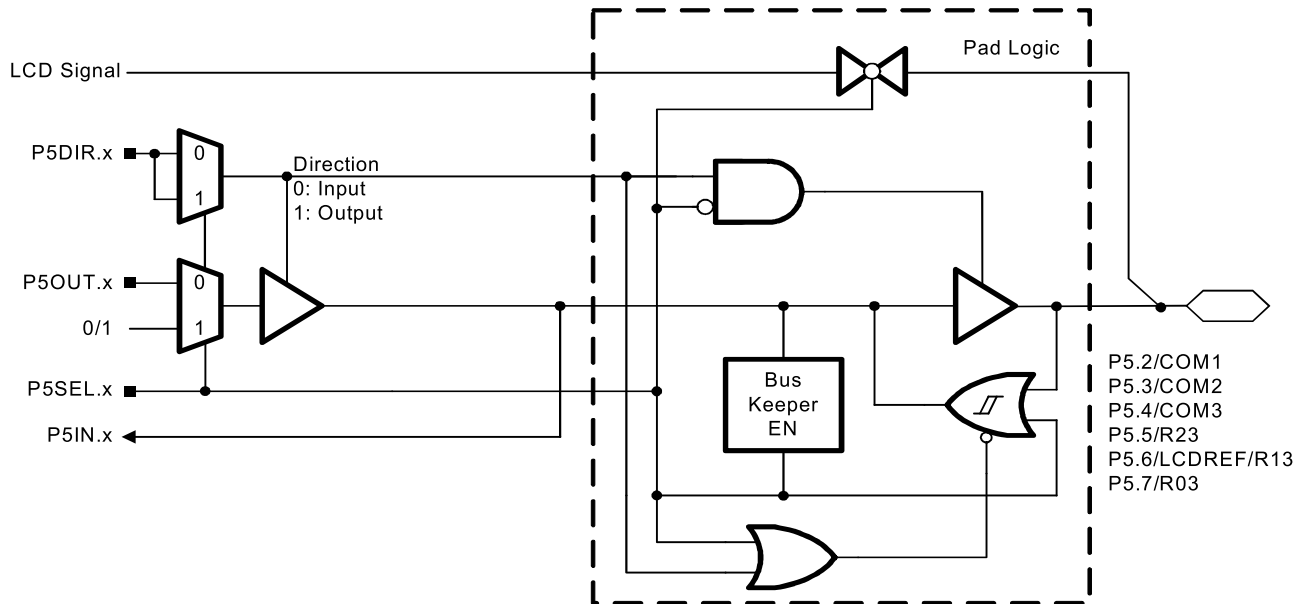


Table 6-26. Port P5 (P5.2 to P5.7) Pin Functions

| PIN NAME (P5.X) | X | FUNCTION      | CONTROL BITS / SIGNALS <sup>(1)</sup> |         |
|-----------------|---|---------------|---------------------------------------|---------|
|                 |   |               | P5DIR.x                               | P5SEL.x |
| P5.2/COM1       | 2 | P5.x (I/O)    | I: 0, O: 1                            | 0       |
|                 |   | COM1          | x                                     | 1       |
| P5.3/COM2       | 3 | P5.x (I/O)    | I: 0, O: 1                            | 0       |
|                 |   | COM2          | x                                     | 1       |
| P5.4/COM3       | 4 | P5.x (I/O)    | I: 0, O: 1                            | 0       |
|                 |   | COM3          | x                                     | 1       |
| P5.5/R23        | 5 | P5.x (I/O)    | I: 0, O: 1                            | 0       |
|                 |   | R23           | x                                     | 1       |
| P5.6/LCDREF/R13 | 6 | P5.x (I/O)    | I: 0, O: 1                            | 0       |
|                 |   | R13 or LCDREF | x                                     | 1       |
| P5.7/R03        | 7 | P5.x (I/O)    | I: 0, O: 1                            | 0       |
|                 |   | R03           | x                                     | 1       |

(1) x = don't care

### 6.10.19 Port P6, P6.0 and P6.3, Input/Output With Schmitt Trigger

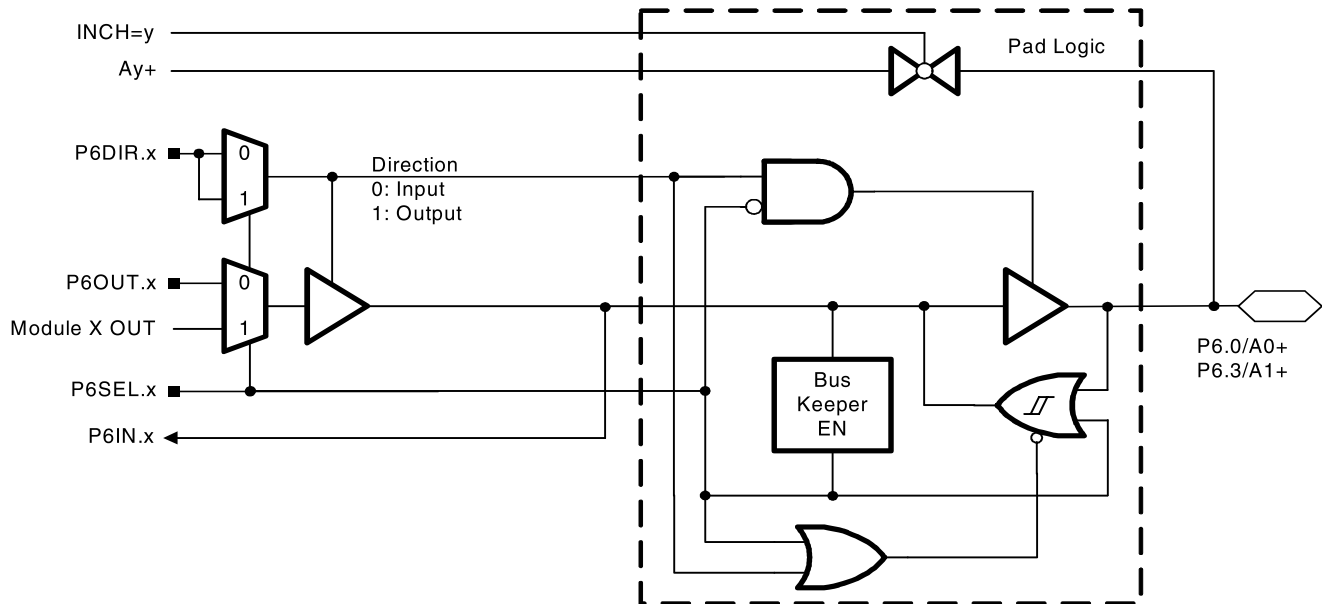


Table 6-27. Port P6 (P6.0 and P6.3) Pin Functions

| PIN NAME (P6.X) | X | FUNCTION   | CONTROL BITS / SIGNALS <sup>(1)</sup> |         |
|-----------------|---|------------|---------------------------------------|---------|
|                 |   |            | P6DIR.x                               | P6SEL.x |
| P6.0/A0+        | 0 | P6.x (I/O) | I: 0, O: 1                            | 0       |
|                 |   | A0+        | x                                     | 1       |
| P6.3/A1+        | 3 | P6.x (I/O) | I: 0, O: 1                            | 0       |
|                 |   | A1+        | x                                     | 1       |

(1) x = don't care

6.10.20 Port P6, P6.1 and P6.4, Input/Output With Schmitt Trigger

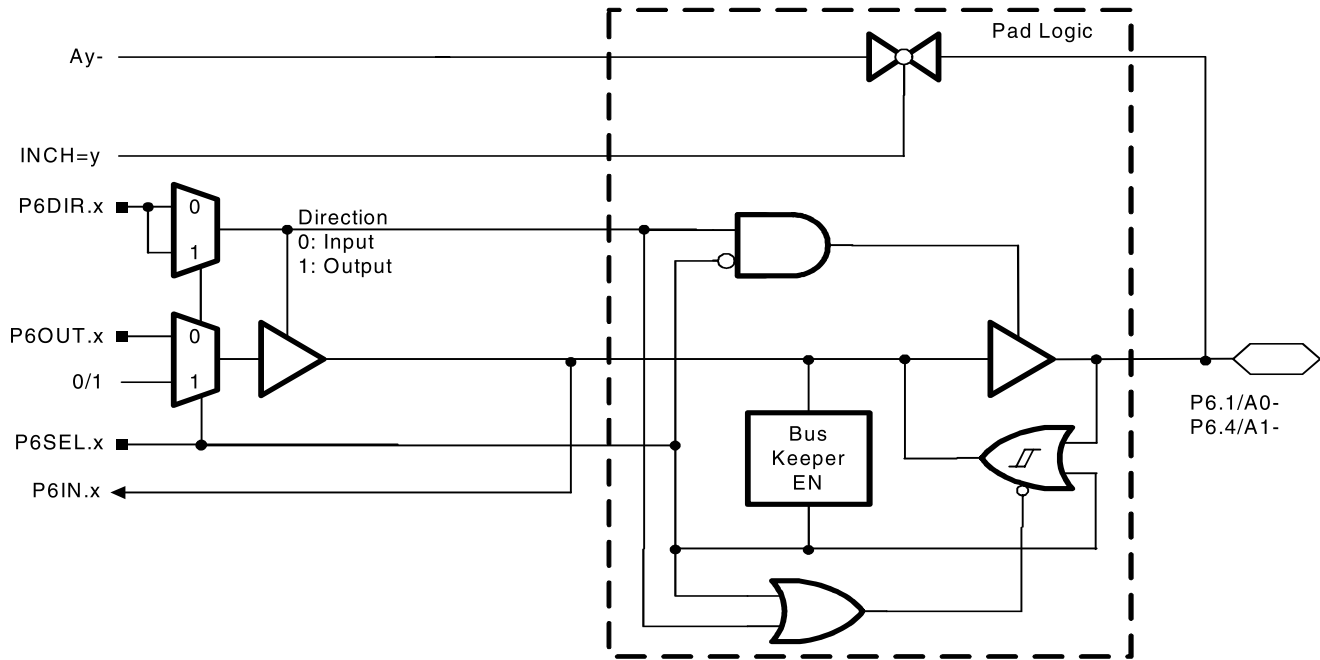


Table 6-28. Port P6 (P6.1 and P6.4) Pin Functions

| PIN NAME (P6.X) | X | FUNCTION   | CONTROL BITS / SIGNALS <sup>(1)</sup> |         |
|-----------------|---|------------|---------------------------------------|---------|
|                 |   |            | P6DIR.x                               | P6SEL.x |
| P6.1/A0-        | 1 | P6.x (I/O) | I: 0, O: 1                            | 0       |
|                 |   | A0-        | x                                     | 1       |
| P6.4/A1-        | 4 | P6.x (I/O) | I: 0, O: 1                            | 0       |
|                 |   | A1-        | x                                     | 1       |

(1) x = don't care

6.10.21 Port P6, P6.2, P6.5, and P6.6, Input/Output With Schmitt Trigger

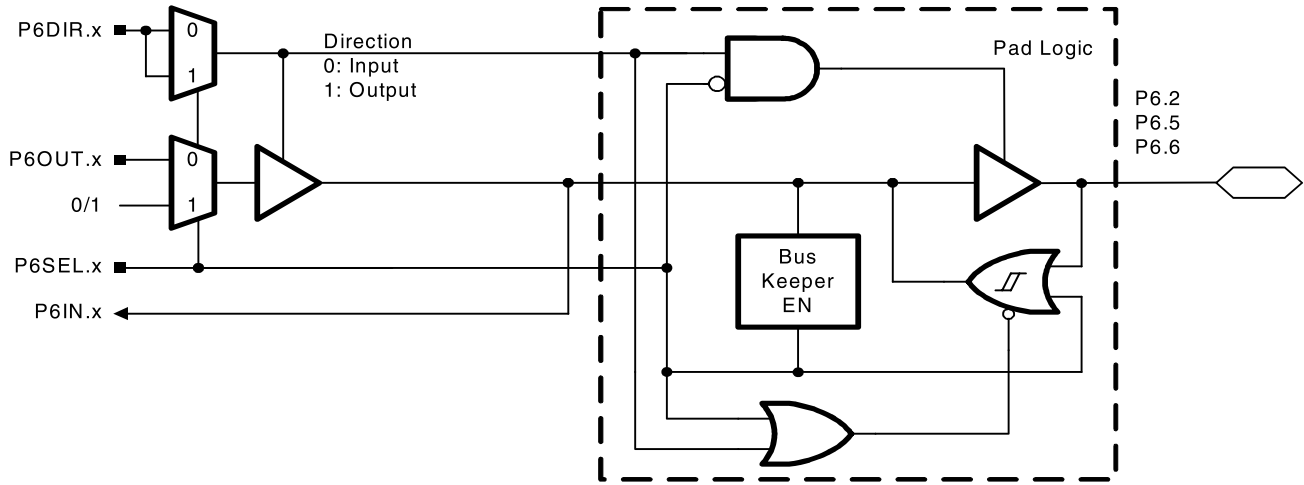


Table 6-29. Port P6 (P6.2, P6.5, and P6.6) Pin Functions

| PIN NAME (P6.X) | X | FUNCTION   | CONTROL BITS / SIGNALS <sup>(1)</sup> |         |
|-----------------|---|------------|---------------------------------------|---------|
|                 |   |            | P6DIR.x                               | P6SEL.x |
| P6.2            | 2 | P6.x (I/O) | I: 0, O: 1                            | 0       |
| P6.5            | 5 | P6.x (I/O) | I: 0, O: 1                            | 0       |
| P6.6            | 6 | P6.x (I/O) | I: 0, O: 1                            | 0       |

(1) x = don't care

### 6.10.22 Port P6, P6.7, Input/Output With Schmitt Trigger

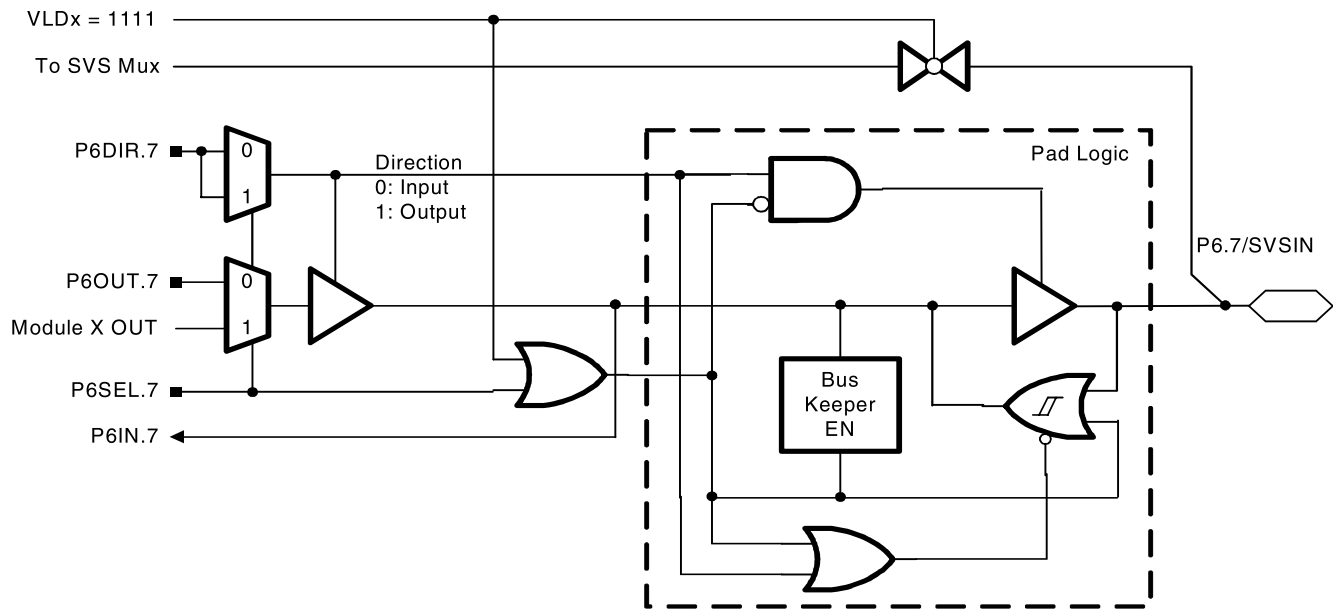


Table 6-30. Port P6 (P6.7) Pin Functions

| PIN NAME (P6.X) | X | FUNCTION   | CONTROL BITS / SIGNALS |         |      |
|-----------------|---|------------|------------------------|---------|------|
|                 |   |            | P6DIR.x                | P6SEL.x | VLDx |
| P6.7/SVSIN      | 7 | P6.x (I/O) | I: 0, O: 1             | 0       | x    |
|                 |   | SVSIN      | x                      | 1       | 1111 |

6.10.23 Segment Pin Schematic: Sx, Dedicated Segment Pins

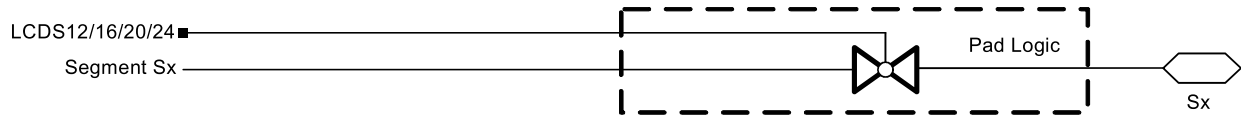


Table 6-31. Sx Pin Functions

| PIN NAME (P6.X) | X  | FUNCTION | CONTROL BITS / SIGNALS |
|-----------------|----|----------|------------------------|
|                 |    |          | LCDSy                  |
| Sx              | 12 | Sx       | 1 (LCDS12)             |
|                 |    | 3-state  | 0 (LCDS12)             |
| Sx              | 13 | Sx       | 1 (LCDS12)             |
|                 |    | 3-state  | 0 (LCDS12)             |
| Sx              | 14 | Sx       | 1 (LCDS12)             |
|                 |    | 3-state  | 0 (LCDS12)             |
| Sx              | 15 | Sx       | 1 (LCDS12)             |
|                 |    | 3-state  | 0 (LCDS12)             |
| Sx              | 16 | Sx       | 1 (LCD16)              |
|                 |    | 3-state  | 0 (LCD16)              |
| Sx              | 17 | Sx       | 1 (LCD16)              |
|                 |    | 3-state  | 0 (LCD16)              |
| Sx              | 18 | Sx       | 1 (LCD16)              |
|                 |    | 3-state  | 0 (LCD16)              |
| Sx              | 19 | Sx       | 1 (LCDS16)             |
|                 |    | 3-state  | 0 (LCDS16)             |
| Sx              | 22 | Sx       | 1 (LCDS20)             |
|                 |    | 3-state  | 0 (LCDS20)             |
| Sx              | 23 | Sx       | 1 (LCDS20)             |
|                 |    | 3-state  | 0 (LCDS20)             |
| Sx              | 24 | Sx       | 1 (LCDS24)             |
|                 |    | 3-state  | 0 (LCDS24)             |
| Sx              | 25 | Sx       | 1 (LCDS24)             |
|                 |    | 3-state  | 0 (LCDS24)             |

6.10.24 Segment Pin Schematic: COM0, Dedicated COM0 Pin

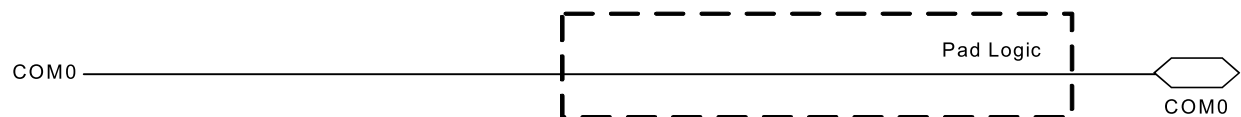
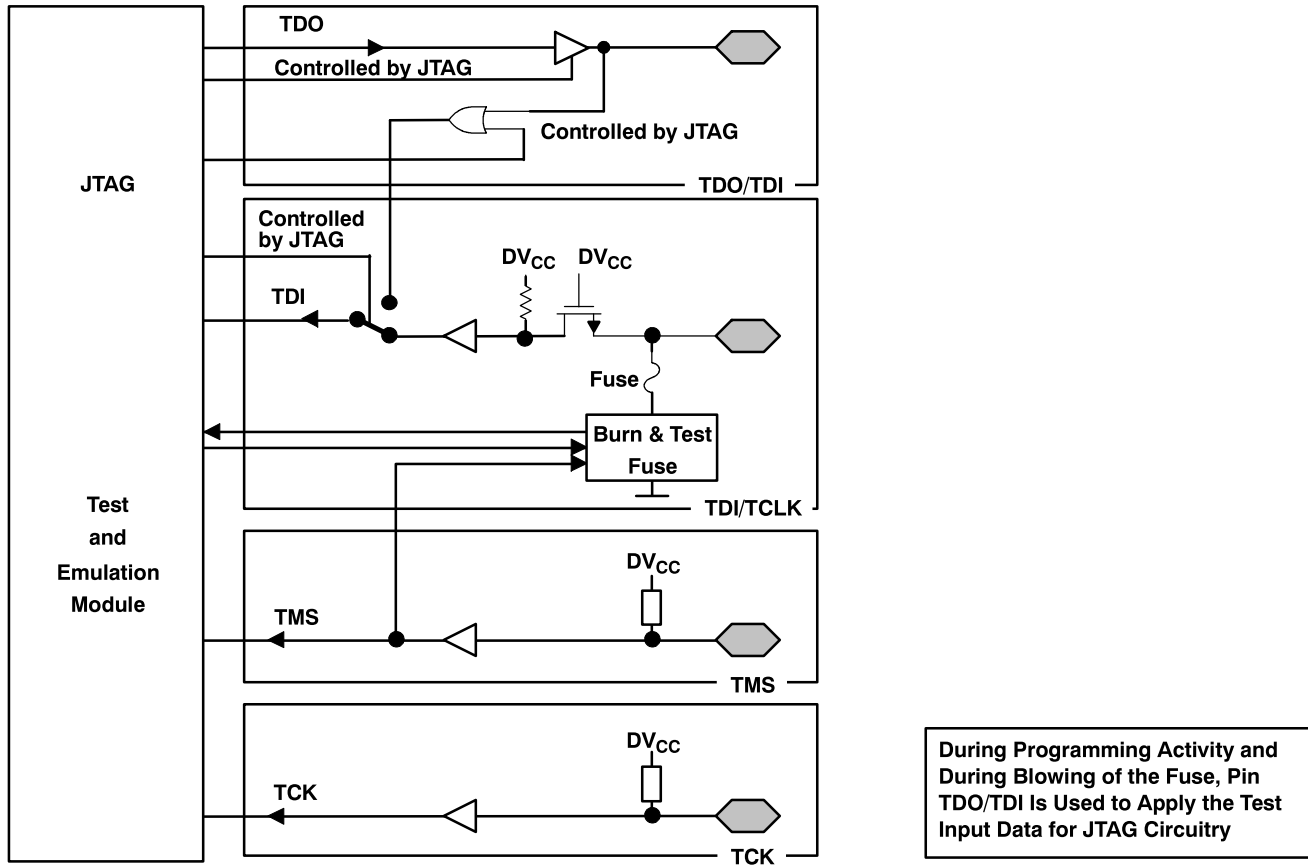


Table 6-32. COM0 Pin Functions

| PIN NAME | X  | FUNCTION |
|----------|----|----------|
| COM0     | -- | COM0     |

6.10.25 JTAG Pins TMS, TCK, TDI/TCLK, TDO/TDI, Input/Output With Schmitt Trigger or Output



6.10.26 JTAG Fuse Check Mode

For details on the JTAG fuse check mode, see the [MSP430x4xx Family User's Guide](#).



## 7 Device and Documentation Support

### 7.1 Device Support

#### 7.1.1 Getting Started and Next Steps

For more information on the MSP430F4x family of devices and the tools and libraries that are available to help with your development, visit the [MSP430™ ultra-low-power sensing & measurement MCUs overview page](#).

#### 7.1.2 Development Tools Support

All MSP430™ microcontrollers are supported by a wide variety of software and hardware development tools. Tools are available from TI and various third parties. See them all at [www.ti.com/msp430tools](http://www.ti.com/msp430tools).

##### 7.1.2.1 Recommended Hardware Options

###### 7.1.2.1.1 Target Socket Boards

The target socket boards allow easy programming and debugging of the device using JTAG. They also feature header pin outs for prototyping. Target socket boards are orderable individually or as a kit with the JTAG programmer and debugger included. The following table shows the compatible target boards and the supported packages.

| Package          | Target Board and Programmer Bundle | Target Board Only             |
|------------------|------------------------------------|-------------------------------|
| 80-pin LQFP (PN) | <a href="#">MSP-FET430U80</a>      | <a href="#">MSP-TS430PN80</a> |

###### 7.1.2.1.2 Experimenter Boards

Experimenter Boards and Evaluation kits are available for some MSP430 devices. These kits feature additional hardware components and connectivity for full system evaluation and prototyping. See [www.ti.com/msp430tools](http://www.ti.com/msp430tools) for details.

###### 7.1.2.1.3 Debugging and Programming Tools

Hardware programming and debugging tools are available from TI and from its third party suppliers. See the full list of available tools at [www.ti.com/msp430tools](http://www.ti.com/msp430tools).

###### 7.1.2.1.4 Production Programmers

The production programmers expedite loading firmware to devices by programming several devices simultaneously.

| Part Number              | PC Port        | Features  | Provider          |
|--------------------------|----------------|---|-------------------|
| <a href="#">MSP-GANG</a> | Serial and USB | Program up to eight devices at a time. Works with PC or standalone. | Texas Instruments |

##### 7.1.2.2 Recommended Software Options

###### 7.1.2.2.1 Integrated Development Environments

Software development tools are available from TI or from third parties. Open source solutions are also available.

This device is supported by Code Composer Studio™ IDE (CCS).

### 7.1.2.2.2 *MSP430Ware*

[MSP430Ware](#) is a collection of code examples, data sheets, and other design resources for all MSP430 devices delivered in a convenient package. In addition to providing a complete collection of existing MSP430 design resources, MSP430Ware also includes a high-level API called MSP430 Driver Library. This library makes it easy to program MSP430 hardware. MSP430Ware is available as a component of CCS or as a standalone package.

### 7.1.2.2.3 *Command-Line Programmer*

[MSP430 Flasher](#) is an open-source shell-based interface for programming MSP430 microcontrollers through a FET programmer or eZ430 using JTAG or Spy-Bi-Wire (SBW) communication. MSP430 Flasher can be used to download binary files (.txt or .hex) files directly to the MSP430 microcontroller without the need for an IDE.

## 7.1.3 *Device Nomenclature*

To designate the stages in the product development cycle, TI assigns prefixes to the part numbers of all MSP MCU devices. Each MSP MCU commercial family member has one of two prefixes: MSP or XMS. These prefixes represent evolutionary stages of product development from engineering prototypes (XMS) through fully qualified production devices (MSP).

**XMS** – Experimental device that is not necessarily representative of the final device's electrical specifications

**MSP** – Fully qualified production device

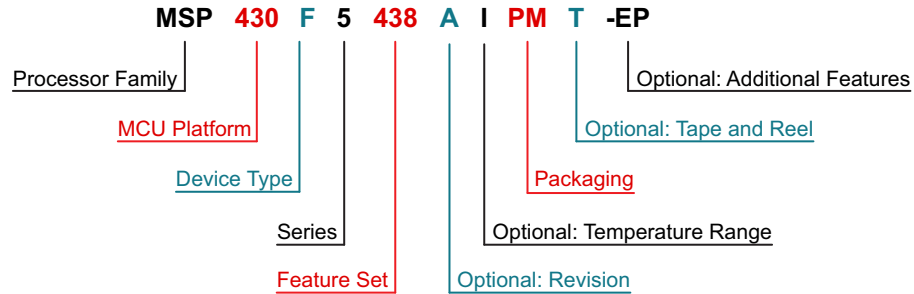
XMS devices are shipped against the following disclaimer:

"Developmental product is intended for internal evaluation purposes."

MSP devices have been characterized fully, and the quality and reliability of the device have been demonstrated fully. TI's standard warranty applies.

Predictions show that prototype devices (XMS) have a greater failure rate than the standard production devices. TI recommends that these devices not be used in any production system because their expected end-use failure rate still is undefined. Only qualified production devices are to be used.

TI device nomenclature also includes a suffix with the device family name. This suffix indicates the temperature range, package type, and distribution format. [Figure 7-1](#) provides a legend for reading the complete device name.



|   |  |   |   |
|---|--|---|---|
| <b>Processor Family</b>   | CC = Embedded RF Radio<br>MSP = Mixed-Signal Processor<br>XMS = Experimental Silicon<br>PMS = Prototype Device   |   |   |
| <b>MCU Platform</b>   | 430 = MSP430 low-power microcontroller platform  |   |   |
| <b>Device Type</b>  | <table border="0" style="width: 100%;"> <tr> <td style="vertical-align: top;"><b>Memory Type</b><br/>C = ROM<br/>F = Flash<br/>FR = FRAM<br/>G = Flash<br/>L = No nonvolatile memory</td> <td style="vertical-align: top;"><b>Specialized Application</b><br/>AFE = Analog front end<br/>BQ = Contactless power<br/>CG = ROM medical<br/>FE = Flash energy meter<br/>FG = Flash medical<br/>FW = Flash electronic flow meter</td> </tr> </table> | <b>Memory Type</b><br>C = ROM<br>F = Flash<br>FR = FRAM<br>G = Flash<br>L = No nonvolatile memory | <b>Specialized Application</b><br>AFE = Analog front end<br>BQ = Contactless power<br>CG = ROM medical<br>FE = Flash energy meter<br>FG = Flash medical<br>FW = Flash electronic flow meter |
| <b>Memory Type</b><br>C = ROM<br>F = Flash<br>FR = FRAM<br>G = Flash<br>L = No nonvolatile memory | <b>Specialized Application</b><br>AFE = Analog front end<br>BQ = Contactless power<br>CG = ROM medical<br>FE = Flash energy meter<br>FG = Flash medical<br>FW = Flash electronic flow meter  |   |   |
| <b>Series</b>   | <table border="0" style="width: 100%;"> <tr> <td style="vertical-align: top;">1 = Up to 8 MHz<br/>2 = Up to 16 MHz<br/>3 = Legacy<br/>4 = Up to 16 MHz with LCD driver</td> <td style="vertical-align: top;">5 = Up to 25 MHz<br/>6 = Up to 25 MHz with LCD driver<br/>0 = Low-voltage series</td> </tr> </table>  | 1 = Up to 8 MHz<br>2 = Up to 16 MHz<br>3 = Legacy<br>4 = Up to 16 MHz with LCD driver             | 5 = Up to 25 MHz<br>6 = Up to 25 MHz with LCD driver<br>0 = Low-voltage series  |
| 1 = Up to 8 MHz<br>2 = Up to 16 MHz<br>3 = Legacy<br>4 = Up to 16 MHz with LCD driver             | 5 = Up to 25 MHz<br>6 = Up to 25 MHz with LCD driver<br>0 = Low-voltage series   |   |   |
| <b>Feature Set</b>  | Various levels of integration within a series  |   |   |
| <b>Optional: Revision</b>   | Updated version of the base part number  |   |   |
| <b>Optional: Temperature Range</b>  | S = 0°C to 50°C<br>C = 0°C to 70°C<br>I = -40°C to 85°C<br>T = -40°C to 105°C  |   |   |
| <b>Packaging</b>  | <a href="http://www.ti.com/packaging">http://www.ti.com/packaging</a>  |   |   |
| <b>Optional: Tape and Reel</b>  | T = Small reel<br>R = Large reel<br>No markings = Tube or tray   |   |   |
| <b>Optional: Additional Features</b>  | -EP = Enhanced product (-40°C to 105°C)<br>-HT = Extreme temperature parts (-55°C to 150°C)<br>-Q1 = Automotive Q100 qualified   |   |   |

**Figure 7-1. Device Nomenclature**

## 7.2 Documentation Support

The following documents describe the MSP430F47x devices. Copies of these documents are available on the Internet at [www.ti.com](http://www.ti.com).

**SLAU056** *MSP430F4xx Family User's Guide.* Detailed information on the modules and peripherals available in this device family.

**SLAZ243** *MSP430F479 Device Erratasheet.* Describes the known exceptions to the functional specifications for all silicon revisions of the device.

**SLAZ240** *MSP430F478 Device Erratasheet.* Describes the known exceptions to the functional specifications for all silicon revisions of the device.

**SLAZ239** *MSP430F477 Device Erratasheet.* Describes the known exceptions to the functional specifications for all silicon revisions of the device.

## 7.3 Related Links

The table below lists quick access links. Categories include technical documents, support and community resources, tools and software, and quick access to order now.

**Table 7-1. Related Links**

| PARTS      | PRODUCT FOLDER             | ORDER NOW                  | TECHNICAL DOCUMENTS        | TOOLS & SOFTWARE           | SUPPORT & COMMUNITY        |
|------------|----------------------------|----------------------------|----------------------------|----------------------------|----------------------------|
| MSP430F479 | <a href="#">Click here</a> | <a href="#">Click here</a> | <a href="#">Click here</a> | <a href="#">Click here</a> | <a href="#">Click here</a> |
| MSP430F478 | <a href="#">Click here</a> | <a href="#">Click here</a> | <a href="#">Click here</a> | <a href="#">Click here</a> | <a href="#">Click here</a> |
| MSP430F477 | <a href="#">Click here</a> | <a href="#">Click here</a> | <a href="#">Click here</a> | <a href="#">Click here</a> | <a href="#">Click here</a> |

## 7.4 Support Resources

[TI E2E™ support forums](#) are an engineer's go-to source for fast, verified answers and design help — straight from the experts. Search existing answers or ask your own question to get the quick design help you need.

Linked content is provided "AS IS" by the respective contributors. They do not constitute TI specifications and do not necessarily reflect TI's views; see TI's [Terms of Use](#).

## 7.5 Trademarks

MicroStar Junior, MSP430, Code Composer Studio, TI E2E are trademarks of Texas Instruments.

## 7.6 Electrostatic Discharge Caution



This integrated circuit can be damaged by ESD. Texas Instruments recommends that all integrated circuits be handled with appropriate precautions. Failure to observe proper handling and installation procedures can cause damage.

ESD damage can range from subtle performance degradation to complete device failure. Precision integrated circuits may be more susceptible to damage because very small parametric changes could cause the device not to meet its published specifications.

## 7.7 Export Control Notice

Recipient agrees to not knowingly export or re-export, directly or indirectly, any product or technical data (as defined by the U.S., EU, and other Export Administration Regulations) including software, or any controlled product restricted by other applicable national regulations, received from disclosing party under nondisclosure obligations (if any), or any direct product of such technology, to any destination to which such export or re-export is restricted or prohibited by U.S. or other applicable laws, without obtaining prior authorization from U.S. Department of Commerce and other competent Government authorities to the extent required by those laws.

## 7.8 Glossary

[TI Glossary](#) This glossary lists and explains terms, acronyms, and definitions.

## 8 Mechanical, Packaging, and Orderable Information

The following pages include mechanical, packaging, and orderable information. This information is the most current data available for the designated devices. This data is subject to change without notice and revision of this document. For browser-based versions of this data sheet, refer to the left-hand navigation.

## PACKAGING INFORMATION

| Orderable Device | Status<br>(1) | Package Type               | Package Drawing | Pins | Package Qty | Eco Plan<br>(2) | Lead finish/<br>Ball material<br>(6) | MSL Peak Temp<br>(3) | Op Temp (°C) | Device Marking<br>(4/5) | Samples                 |
|------------------|---------------|----------------------------|-----------------|------|-------------|-----------------|--------------------------------------|----------------------|--------------|-------------------------|-------------------------|
| MSP430F477IPN    | ACTIVE        | LQFP                       | PN              | 80   | 119         | RoHS & Green    | NIPDAU                               | Level-3-260C-168 HR  | -40 to 85    | M430F477                | <a href="#">Samples</a> |
| MSP430F477IPNR   | ACTIVE        | LQFP                       | PN              | 80   | 1000        | RoHS & Green    | NIPDAU                               | Level-3-260C-168 HR  | -40 to 85    | M430F477                | <a href="#">Samples</a> |
| MSP430F477IZCA   | ACTIVE        | NFBGA                      | ZCA             | 113  | 260         | RoHS & Green    | SNAGCU                               | Level-3-260C-168 HR  | -40 to 85    | F477                    | <a href="#">Samples</a> |
| MSP430F477IZCAR  | ACTIVE        | NFBGA                      | ZCA             | 113  | 2500        | RoHS & Green    | SNAGCU                               | Level-3-260C-168 HR  | -40 to 85    | F477                    | <a href="#">Samples</a> |
| MSP430F477IZQW   | OBSOLETE      | BGA<br>MICROSTAR<br>JUNIOR | ZQW             | 113  |             | TBD             | Call TI                              | Call TI              |              | M430F477                |                         |
| MSP430F477IZQWR  | OBSOLETE      | BGA<br>MICROSTAR<br>JUNIOR | ZQW             | 113  |             | TBD             | Call TI                              | Call TI              |              | M430F477                |                         |
| MSP430F478IPN    | ACTIVE        | LQFP                       | PN              | 80   | 119         | RoHS & Green    | NIPDAU                               | Level-3-260C-168 HR  | -40 to 85    | M430F478                | <a href="#">Samples</a> |
| MSP430F478IPNR   | ACTIVE        | LQFP                       | PN              | 80   | 1000        | RoHS & Green    | NIPDAU                               | Level-3-260C-168 HR  | -40 to 85    | M430F478                | <a href="#">Samples</a> |
| MSP430F478IZCA   | ACTIVE        | NFBGA                      | ZCA             | 113  | 2500        | RoHS & Green    | SNAGCU                               | Level-3-260C-168 HR  | -40 to 85    | F478                    | <a href="#">Samples</a> |
| MSP430F478IZCAR  | ACTIVE        | NFBGA                      | ZCA             | 113  | 2500        | RoHS & Green    | SNAGCU                               | Level-3-260C-168 HR  | -40 to 85    | F478                    | <a href="#">Samples</a> |
| MSP430F479IPN    | ACTIVE        | LQFP                       | PN              | 80   | 119         | RoHS & Green    | NIPDAU                               | Level-3-260C-168 HR  | -40 to 85    | M430F479                | <a href="#">Samples</a> |
| MSP430F479IPNR   | ACTIVE        | LQFP                       | PN              | 80   | 1000        | RoHS & Green    | NIPDAU                               | Level-3-260C-168 HR  | -40 to 85    | M430F479                | <a href="#">Samples</a> |
| MSP430F479IZCAR  | ACTIVE        | NFBGA                      | ZCA             | 113  | 2500        | RoHS & Green    | SNAGCU                               | Level-3-260C-168 HR  | -40 to 85    | F479                    | <a href="#">Samples</a> |
| MSP430F479IZQWR  | OBSOLETE      | BGA<br>MICROSTAR<br>JUNIOR | ZQW             | 113  |             | TBD             | Call TI                              | Call TI              |              | M430F479                |                         |

(1) The marketing status values are defined as follows:

**ACTIVE:** Product device recommended for new designs.

**LIFEBUY:** TI has announced that the device will be discontinued, and a lifetime-buy period is in effect.

**NRND:** Not recommended for new designs. Device is in production to support existing customers, but TI does not recommend using this part in a new design.

**PREVIEW:** Device has been announced but is not in production. Samples may or may not be available.

**OBSOLETE:** TI has discontinued the production of the device.

(2) **RoHS:** TI defines "RoHS" to mean semiconductor products that are compliant with the current EU RoHS requirements for all 10 RoHS substances, including the requirement that RoHS substance do not exceed 0.1% by weight in homogeneous materials. Where designed to be soldered at high temperatures, "RoHS" products are suitable for use in specified lead-free processes. TI may reference these types of products as "Pb-Free".

**RoHS Exempt:** TI defines "RoHS Exempt" to mean products that contain lead but are compliant with EU RoHS pursuant to a specific EU RoHS exemption.

**Green:** TI defines "Green" to mean the content of Chlorine (Cl) and Bromine (Br) based flame retardants meet JS709B low halogen requirements of  $\leq 1000$ ppm threshold. Antimony trioxide based flame retardants must also meet the  $\leq 1000$ ppm threshold requirement.

(3) **MSL, Peak Temp.** - The Moisture Sensitivity Level rating according to the JEDEC industry standard classifications, and peak solder temperature.

(4) There may be additional marking, which relates to the logo, the lot trace code information, or the environmental category on the device.

(5) Multiple Device Markings will be inside parentheses. Only one Device Marking contained in parentheses and separated by a "~" will appear on a device. If a line is indented then it is a continuation of the previous line and the two combined represent the entire Device Marking for that device.

(6) **Lead finish/Ball material** - Orderable Devices may have multiple material finish options. Finish options are separated by a vertical ruled line. Lead finish/Ball material values may wrap to two lines if the finish value exceeds the maximum column width.

**Important Information and Disclaimer:** The information provided on this page represents TI's knowledge and belief as of the date that it is provided. TI bases its knowledge and belief on information provided by third parties, and makes no representation or warranty as to the accuracy of such information. Efforts are underway to better integrate information from third parties. TI has taken and continues to take reasonable steps to provide representative and accurate information but may not have conducted destructive testing or chemical analysis on incoming materials and chemicals. TI and TI suppliers consider certain information to be proprietary, and thus CAS numbers and other limited information may not be available for release.

In no event shall TI's liability arising out of such information exceed the total purchase price of the TI part(s) at issue in this document sold by TI to Customer on an annual basis.

**TAPE AND REEL INFORMATION**

**QUADRANT ASSIGNMENTS FOR PIN 1 ORIENTATION IN TAPE**


\*All dimensions are nominal

| Device          | Package Type | Package Drawing | Pins | SPQ  | Reel Diameter (mm) | Reel Width W1 (mm) | A0 (mm) | B0 (mm) | K0 (mm) | P1 (mm) | W (mm) | Pin1 Quadrant |
|-----------------|--------------|-----------------|------|------|--------------------|--------------------|---------|---------|---------|---------|--------|---------------|
| MSP430F477IZCAR | NFBGA        | ZCA             | 113  | 2500 | 330.0              | 16.4               | 7.3     | 7.3     | 1.5     | 12.0    | 16.0   | Q1            |
| MSP430F478IZCAR | NFBGA        | ZCA             | 113  | 2500 | 330.0              | 16.4               | 7.3     | 7.3     | 1.5     | 12.0    | 16.0   | Q1            |
| MSP430F479IZCAR | NFBGA        | ZCA             | 113  | 2500 | 330.0              | 16.4               | 7.3     | 7.3     | 1.5     | 12.0    | 16.0   | Q1            |



**TAPE AND REEL BOX DIMENSIONS**


\*All dimensions are nominal

| Device          | Package Type | Package Drawing | Pins | SPQ  | Length (mm) | Width (mm) | Height (mm) |
|-----------------|--------------|-----------------|------|------|-------------|------------|-------------|
| MSP430F477IZCAR | NFBGA        | ZCA             | 113  | 2500 | 336.6       | 336.6      | 31.8        |
| MSP430F478IZCAR | NFBGA        | ZCA             | 113  | 2500 | 350.0       | 350.0      | 43.0        |
| MSP430F479IZCAR | NFBGA        | ZCA             | 113  | 2500 | 350.0       | 350.0      | 43.0        |

**TRAY**

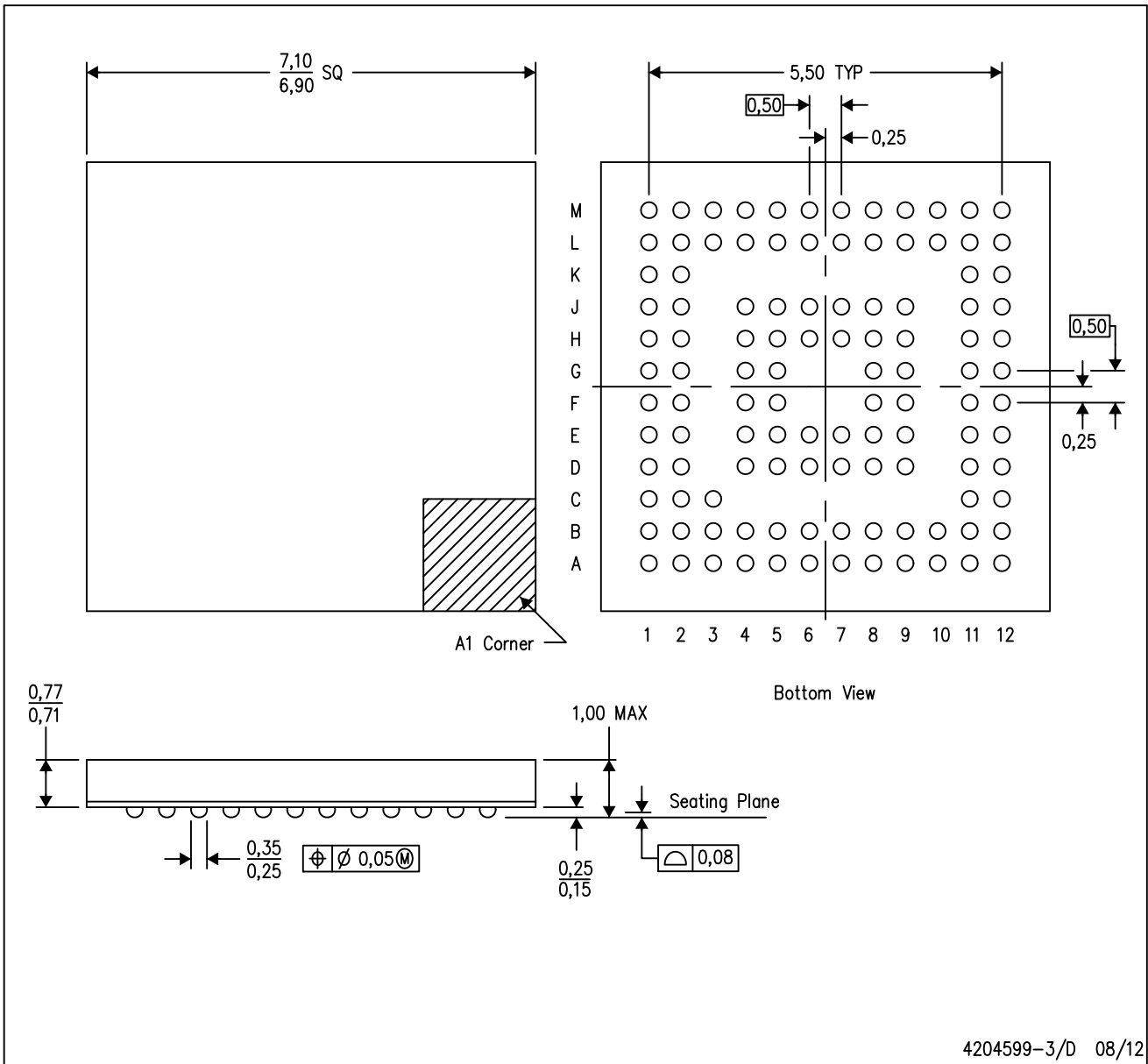

Chamfer on Tray corner indicates Pin 1 orientation of packed units.

\*All dimensions are nominal

| Device          | Package Name | Package Type | Pins | SPQ  | Unit array matrix | Max temperature (°C) | L (mm) | W (mm) | K0 (µm) | P1 (mm) | CL (mm) | CW (mm) |
|-----------------|--------------|--------------|------|------|-------------------|----------------------|--------|--------|---------|---------|---------|---------|
| MSP430F477IPN   | PN           | LQFP         | 80   | 119  | 7 x 17            | 150                  | 315    | 135.9  | 7620    | 17.9    | 14.3    | 13.95   |
| MSP430F477IZCA  | ZCA          | NFBGA        | 113  | 260  | 10 x 26           | 150                  | 315    | 135.9  | 7620    | 11.8    | 10      | 10.35   |
| MSP430F477IZCA  | ZCA          | NFBGA        | 113  | 260  | 10 x 26           | 150                  | 315    | 135.9  | 7620    | 11.8    | 10      | 10.35   |
| MSP430F478IPN   | PN           | LQFP         | 80   | 119  | 7 x 17            | 150                  | 315    | 135.9  | 7620    | 17.9    | 14.3    | 13.95   |
| MSP430F478IZCA  | ZCA          | NFBGA        | 113  | 2500 | 10 x 26           | 150                  | 315    | 135.9  | 7620    | 11.8    | 10      | 10.35   |
| MSP430F478IZCAR | ZCA          | NFBGA        | 113  | 2500 | 10 x 26           | 150                  | 315    | 135.9  | 7620    | 11.8    | 10      | 10.35   |
| MSP430F479IPN   | PN           | LQFP         | 80   | 119  | 7 x 17            | 150                  | 315    | 135.9  | 7620    | 17.9    | 14.3    | 13.95   |
| MSP430F479IZCAR | ZCA          | NFBGA        | 113  | 2500 | 10 x 26           | 150                  | 315    | 135.9  | 7620    | 11.8    | 10      | 10.35   |

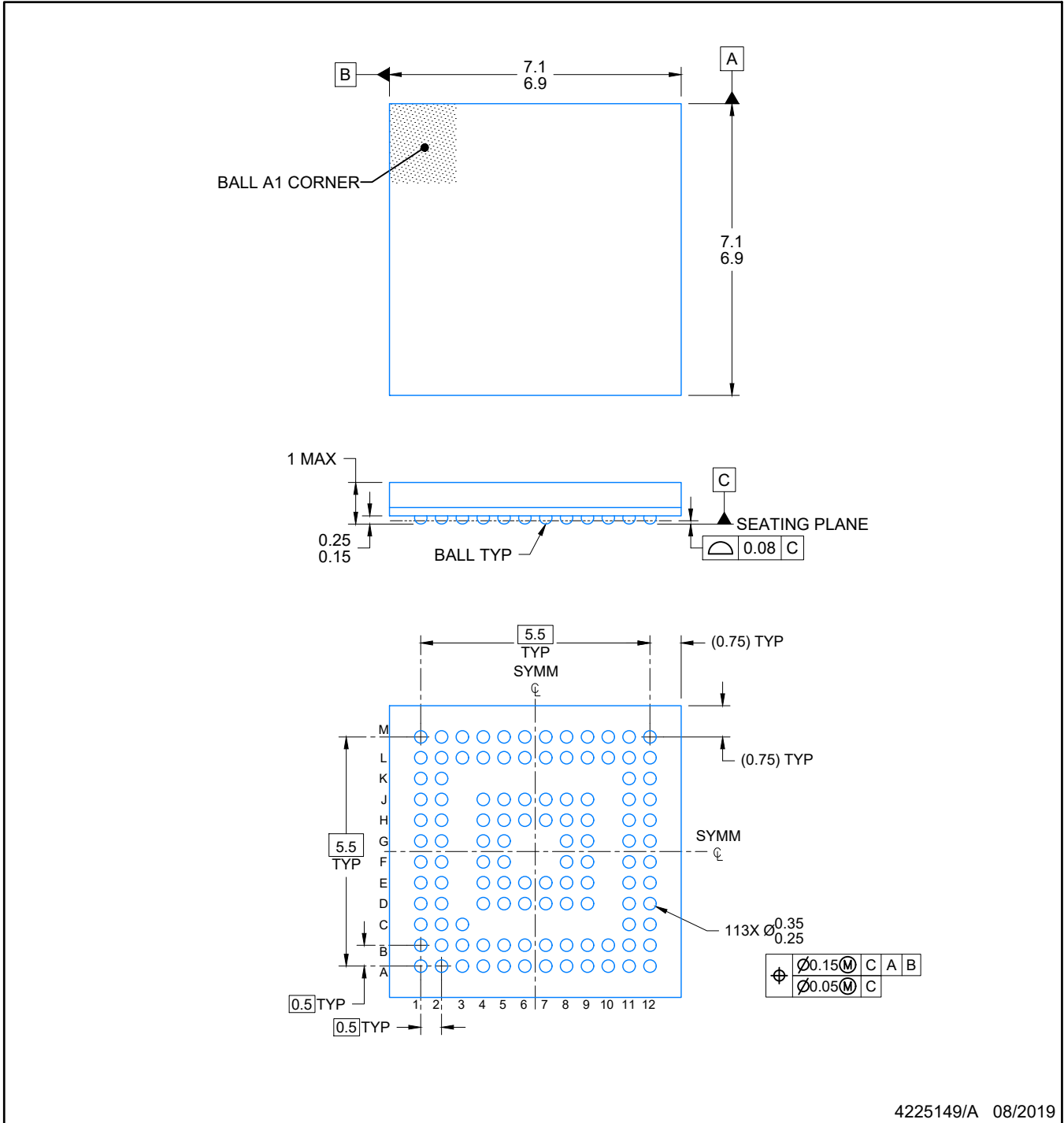
ZQW (S-PBGA-N113)

PLASTIC BALL GRID ARRAY



- NOTES:
- A. All linear dimensions are in millimeters.
  - B. This drawing is subject to change without notice.
  - C. Falls within JEDEC MO-225
  - D. This is a Pb-free solder ball design.

MicroStar Junior is a trademark of Texas Instruments.

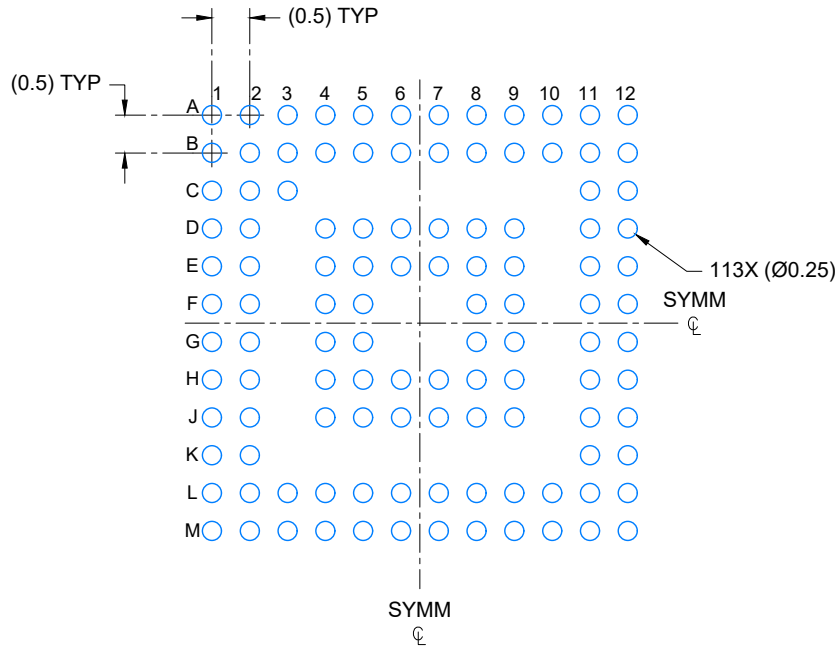


4225149/A 08/2019

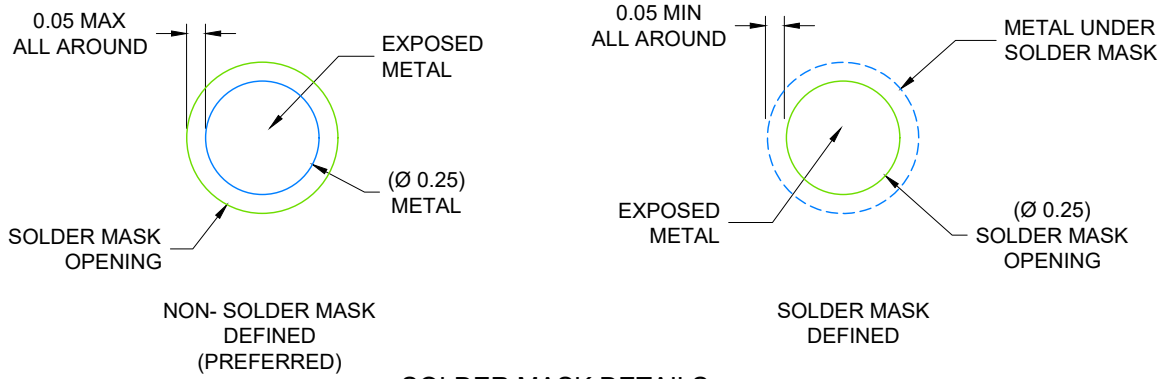
NOTES:

NanoFree is a trademark of Texas Instruments.

1. All linear dimensions are in millimeters. Any dimensions in parenthesis are for reference only. Dimensioning and tolerancing per ASME Y14.5M.
2. This drawing is subject to change without notice.



LAND PATTERN EXAMPLE  
SCALE: 10X



SOLDER MASK DETAILS  
NOT TO SCALE

4225149/A 08/2019

NOTES: (continued)

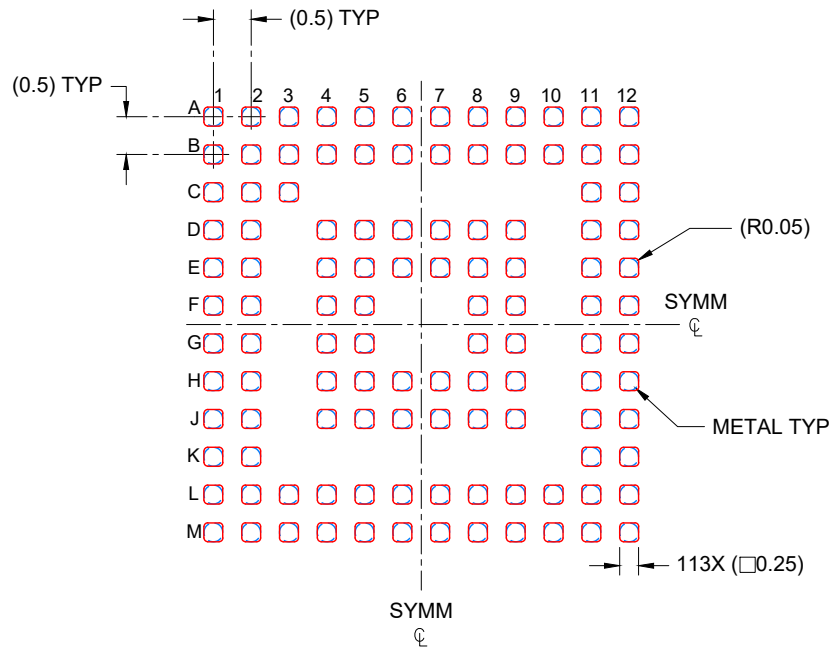
- Final dimensions may vary due to manufacturing tolerance considerations and also routing constraints. Refer to Texas Instruments Literature number SNVA009 ([www.ti.com/lit/snva009](http://www.ti.com/lit/snva009)).

# EXAMPLE STENCIL DESIGN

ZCA0113A

NFBGA - 1 mm max height

PLASTIC BALL GRID ARRAY



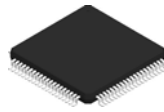
SOLDER PASTE EXAMPLE  
BASED ON 0.100 mm THICK STENCIL  
SCALE: 10X

4225149/A 08/2019

NOTES: (continued)

4. Laser cutting apertures with trapezoidal walls and rounded corners may offer better paste release.

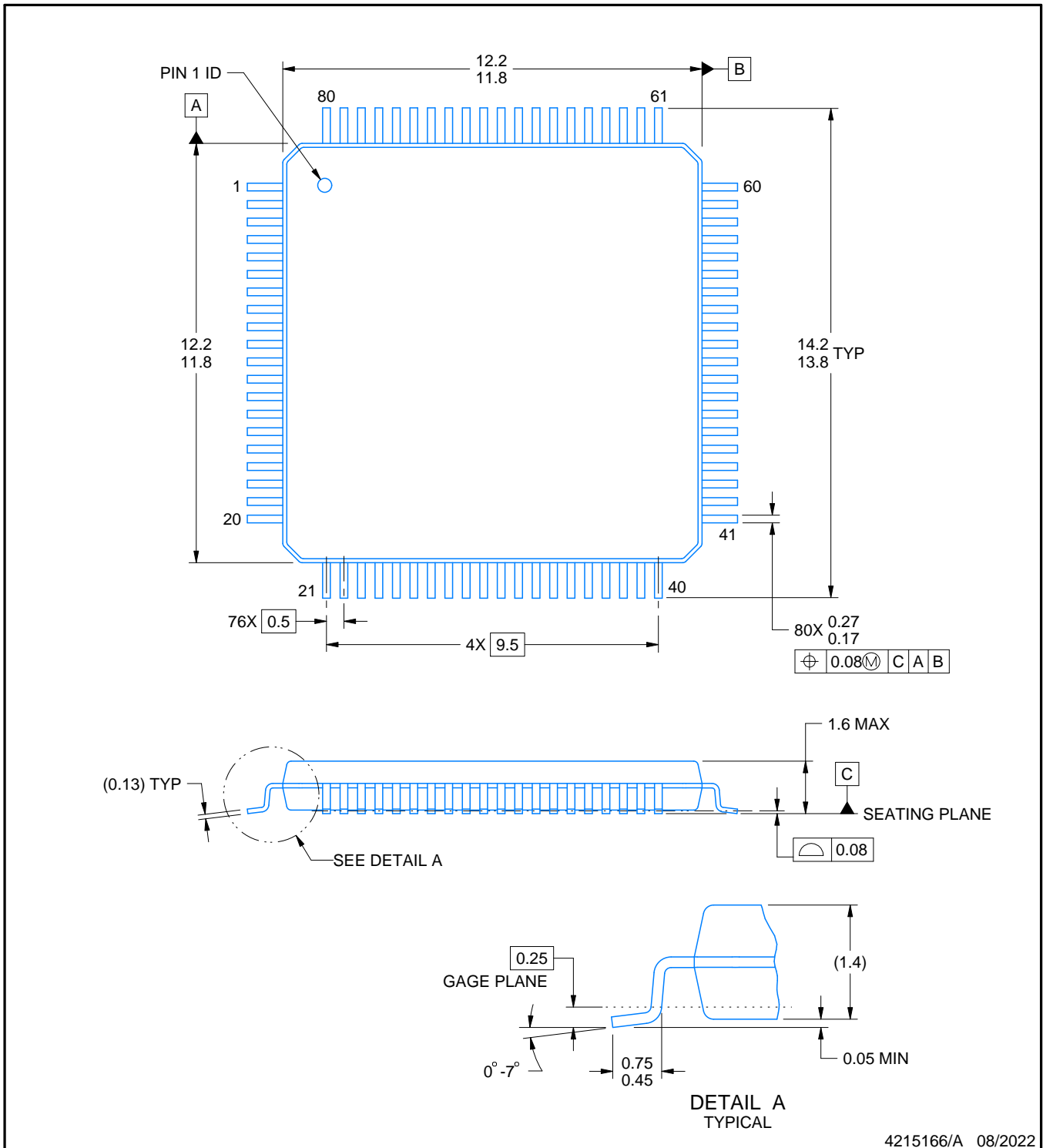
# PN0080A



# PACKAGE OUTLINE

LQFP - 1.6 mm max height

PLASTIC QUAD FLATPACK



4215166/A 08/2022

**NOTES:**

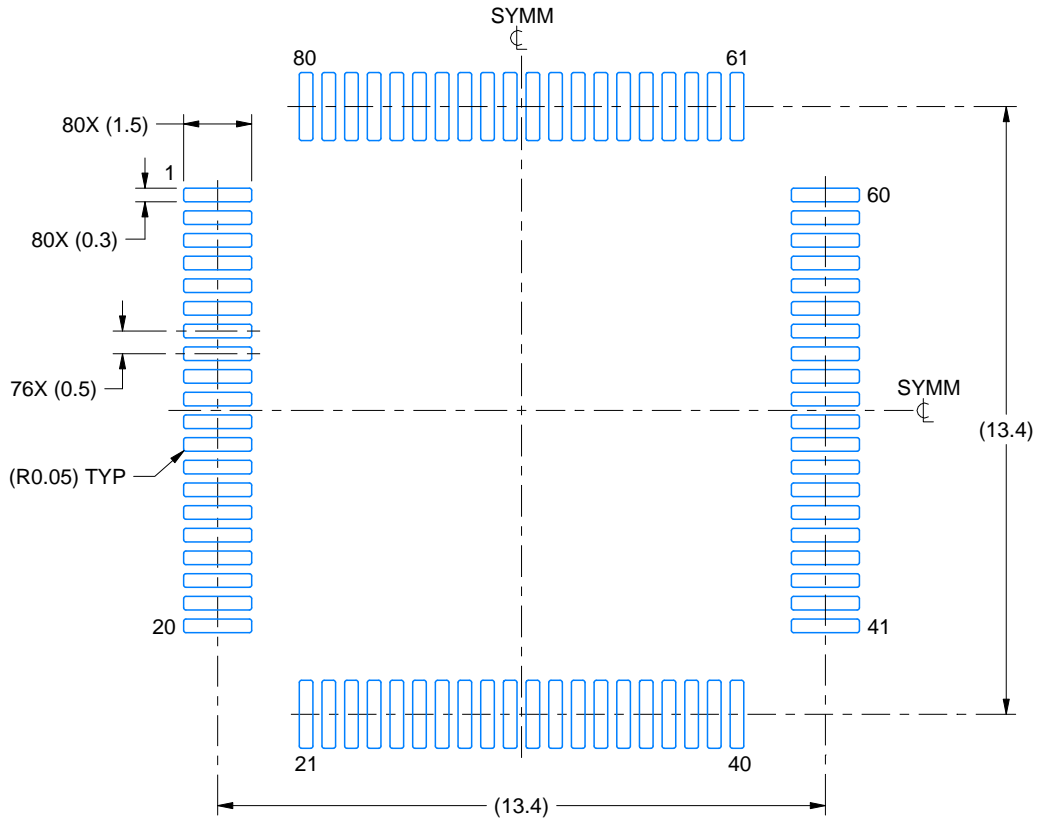
1. All linear dimensions are in millimeters. Any dimensions in parenthesis are for reference only. Dimensioning and tolerancing per ASME Y14.5M.
2. This drawing is subject to change without notice.
3. Reference JEDEC registration MS-026.

# EXAMPLE BOARD LAYOUT

PN0080A

LQFP - 1.6 mm max height

PLASTIC QUAD FLATPACK



LAND PATTERN EXAMPLE  
EXPOSED METAL SHOWN  
SCALE:6X



SOLDER MASK DETAILS

4215166/A 08/2022

NOTES: (continued)

- 4. Publication IPC-7351 may have alternate designs.
- 5. Solder mask tolerances between and around signal pads can vary based on board fabrication site.
- 6. For more information, see Texas Instruments literature number SLMA004 ([www.ti.com/lit/slma004](http://www.ti.com/lit/slma004)).

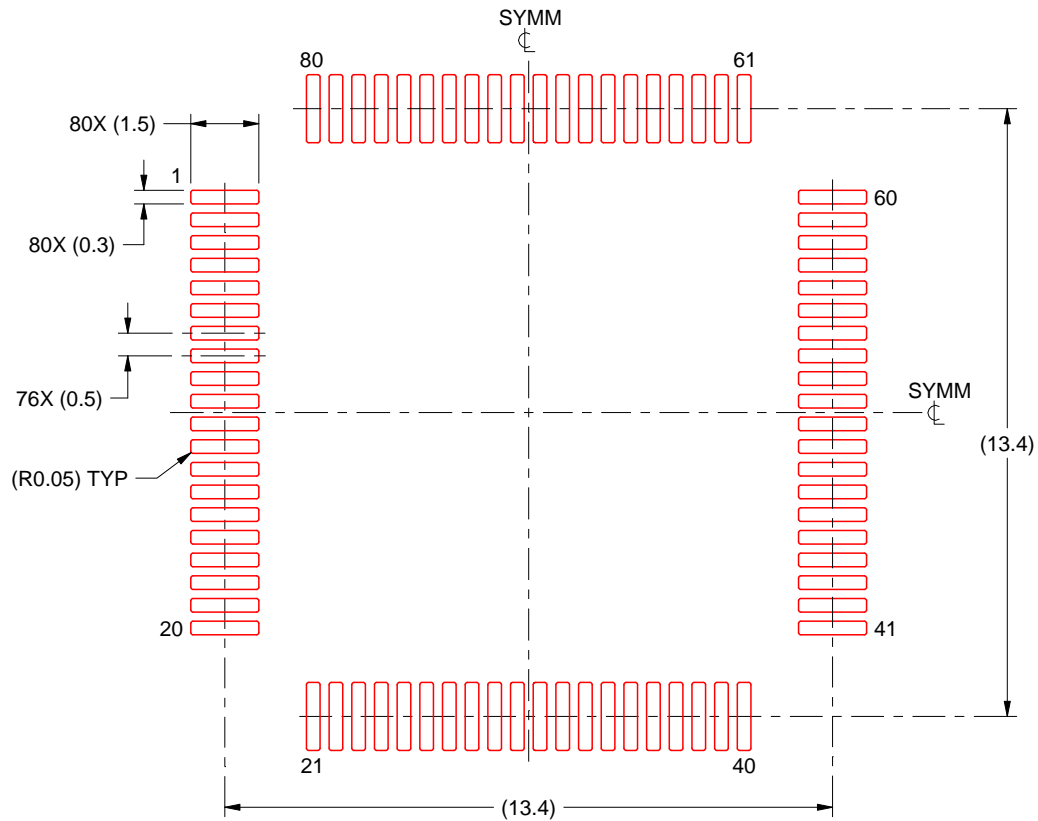


# EXAMPLE STENCIL DESIGN

PN0080A

LQFP - 1.6 mm max height

PLASTIC QUAD FLATPACK



SOLDER PASTE EXAMPLE  
BASED ON 0.1 mm THICK STENCIL  
SCALE:6X

4215166/A 08/2022

NOTES: (continued)

7. Laser cutting apertures with trapezoidal walls and rounded corners may offer better paste release. IPC-7525 may have alternate design recommendations.
8. Board assembly site may have different recommendations for stencil design.

## IMPORTANT NOTICE AND DISCLAIMER

TI PROVIDES TECHNICAL AND RELIABILITY DATA (INCLUDING DATA SHEETS), DESIGN RESOURCES (INCLUDING REFERENCE DESIGNS), APPLICATION OR OTHER DESIGN ADVICE, WEB TOOLS, SAFETY INFORMATION, AND OTHER RESOURCES "AS IS" AND WITH ALL FAULTS, AND DISCLAIMS ALL WARRANTIES, EXPRESS AND IMPLIED, INCLUDING WITHOUT LIMITATION ANY IMPLIED WARRANTIES OF MERCHANTABILITY, FITNESS FOR A PARTICULAR PURPOSE OR NON-INFRINGEMENT OF THIRD PARTY INTELLECTUAL PROPERTY RIGHTS.

These resources are intended for skilled developers designing with TI products. You are solely responsible for (1) selecting the appropriate TI products for your application, (2) designing, validating and testing your application, and (3) ensuring your application meets applicable standards, and any other safety, security, regulatory or other requirements.

These resources are subject to change without notice. TI grants you permission to use these resources only for development of an application that uses the TI products described in the resource. Other reproduction and display of these resources is prohibited. No license is granted to any other TI intellectual property right or to any third party intellectual property right. TI disclaims responsibility for, and you will fully indemnify TI and its representatives against, any claims, damages, costs, losses, and liabilities arising out of your use of these resources.

TI's products are provided subject to [TI's Terms of Sale](#) or other applicable terms available either on [ti.com](https://www.ti.com) or provided in conjunction with such TI products. TI's provision of these resources does not expand or otherwise alter TI's applicable warranties or warranty disclaimers for TI products.

TI objects to and rejects any additional or different terms you may have proposed.

Mailing Address: Texas Instruments, Post Office Box 655303, Dallas, Texas 75265  
Copyright © 2023, Texas Instruments Incorporated