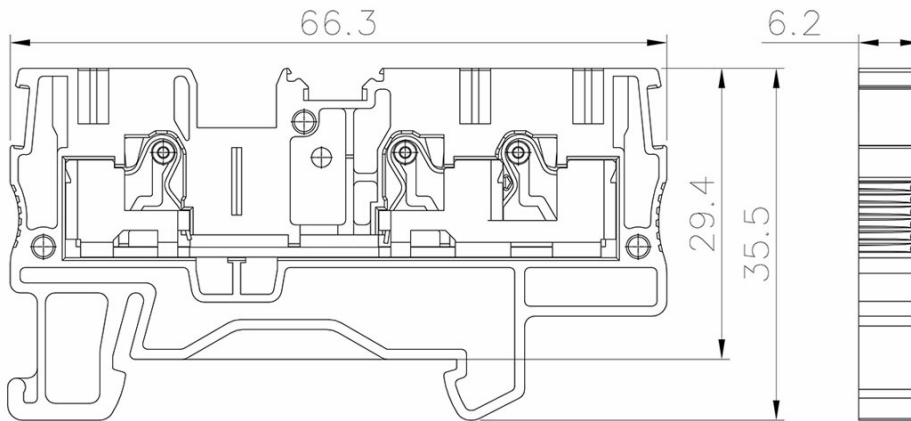


Category: 直插式弹簧接线/Plug-in terminal-plug

Product name: TP4-3-GY

Product Description: 6.2mm , 800V , 32A CE,UL

Product Picture



基本信息 /Basic Information

|                               |          |
|-------------------------------|----------|
| 产品型号<br>SUPU ID               | TP4-3-GY |
| 宽度<br>Width                   | 6.2mm    |
| 产品层数<br>Number of levels      | 1        |
| 接线位数<br>Number of connections | 3        |
| 接线方式<br>Connection method     | 直插弹簧接线   |
| 防护等级<br>Protection Level      | IP20     |

---

|                          |            |
|--------------------------|------------|
| 工作温度<br>Work temperature | -40~+105°C |
|--------------------------|------------|

---

## IEC数据 /IEC Data

---

|  |                      |
|--|----------------------|
| 额定电流<br>Rated Current  | 32A                  |
| 额定电压<br>Rated Voltage  | 800V                 |
| 过压类别<br>Overvoltage category                                   | III                  |
| 污染等级<br>Pollution degree                                       | 3                    |
| 额定冲击电压<br>Rated impulse voltage                                | 8KV                  |
| 刚性导线截面积<br>Conductor cross section solid                       | 0.2-6mm <sup>2</sup> |
| 柔性导线截面积<br>Conductor cross section flexible                    | 0.2-4mm <sup>2</sup> |
| 柔性导线截面积，带绝缘管套<br>Conductor cross section flexible,with furrule | 0.2-4mm <sup>2</sup> |
| 剥线长度<br>Stripping length                                       | 10-12mm              |

---

## UL数据 /UL Data

---

| 使用组别<br>Use group             | B        | C    | D |
|-------------------------------|----------|------|---|
| 额定电流<br>Rated Current         | 30A      | 30A  | - |
| 额定电压<br>Rated Voltage         | 600V     | 600V |   |
| 额定接线容量<br>Rated cross section | 24-10AWG |      |   |

---

## 材料信息 /Material Data

---

|   |      |
|---|------|
| 绝缘材料<br>Insulation material                           | PA66 |
| 绝缘材料组别<br>Insulation material group                   | I    |
| 阻燃等级，符合UL94<br>Flame retardant grade, UL94 compliance | V0   |

---

---

|                                    |              |
|------------------------------------|--------------|
| 导电体材料<br>Contact material          | Copper alloy |
| 导电体表面镀层<br>Surface characteristics | Sn,Plated    |

---

## 产品认证 /Product Certification

---

认证图标  
Certificate



UL证书号  
UL file No.

VDE证书号  
VDE No.

TUV证书号  
TUV No.

---

Ningbo Supu Electronics Co.,Ltd

Zip code: 315303

Fax: +86 574-63288170

E-mail : askme@supu.cn

Address: No. 625, Kandun Town Street, Cixi  
City, Zhejiang Province

Switchboard: +86 574-63288158

E-mail : askme@supu.cn

Service Hotline: 400-626-6336



Code

---

File date : 2024-09-13 15:03

Product Entry : 2024-04-12

The right to modify data belongs to  
Supu.