

Transmittal, reproduction, dissemination and/or editing of this document as well as utilization of its contents and communication thereof to others without express authorization are prohibited.  
未经允许禁止传输、复制、编辑该文档，以及利用其内容进行交流

REVISION RECORD				
REV	CN	DESCRIPTION	DRFT	DATE

General information:

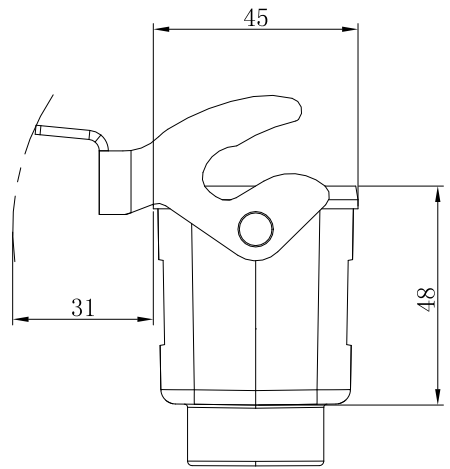
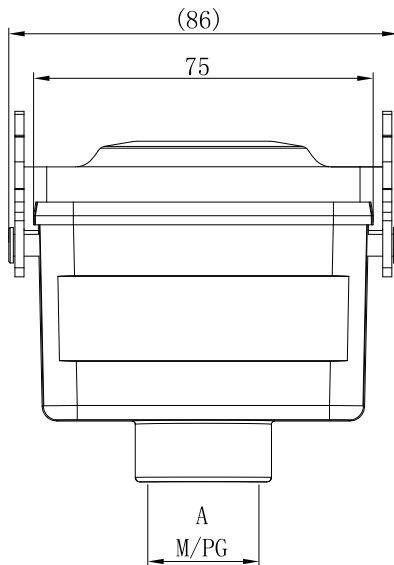
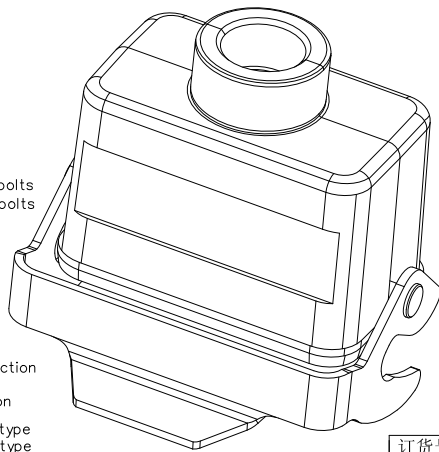
- Material: Aluminium die-cast
- Colour: Grey
- Surface: Powder-coated
- Operating temperature: -40°C~+125°C
- Degree of protection acc.to DIN EN60529 for coupled connector: IP65
- Locking element:  
Locking type: Single locking latch  
Material: Metal galvanized/nickel plating
- Outgoing direction: Top entry
- Thread specifications: M/PG
- Hoods&Housings seal: NBR
- Undimensioned Tolerances:

Pitch Range In mm		Nominal Dimension Range In mm			
TO	Over TO	Over TO	Over TO	0,1/10	
6	10	10	30	≤	±0,15
10	24	30	60	≤	±0,20
24	30	60	100	≤	±0,30
30	60	100	150	≤	±0,50
60	100	150	150	≤	±0,70
100	150	150	150	≤	±1,00
150	150	150	150	≤	±1,30
150	150	150	150	≤	±2*

HOW TO ORDER:

S10B-BM-1L.M

- Locking lever — 1L: 1 levers(plastic) 2B: 2 bolts  
2L: 2 levers(plastic) 4B: 4 bolts  
1L.M: 1 levers(Metal)  
2L.M: 2 levers(Metal)
- Housing type — SE: Side entry  
SEH: Side entry-high construction  
TE: Top entry  
TEH: Top entry-high construction  
BM: Bulkhead mounted  
SM: Sueface mounted  
SMH: Sueface mounted-high construction  
CC: Cable to cable  
CCH: Cable to cable high construction
- Sereies — S3A: 3A Compact type  
S10A: 10A Compact type  
S16A: 16A Compact type  
S32A: 32A Compact type  
S6B: 6B Standard type  
S10B: 10B Standard type  
S16B: 16B Standard type  
S24B: S24B Standard type  
S32B: S32B Standard type  
S48B: S48B Standard type



Order number	A
S10B-CC-1L. M-M20	M20×1.5
S10B-CC-1L. M-M25	M25×1.5
S10B-CC-1L. M-PG16	PG16

订货号 Order No.	S10B-CC-1L. M-XXX		名称 Name	S10B电缆对接 金属单扣底座	未注公差 Tolerance	表面 Surface	
项目 Item	签字 Signature	日期 Date	图号 Drawing No.	/	Tolerances Table		VDI21
设计 Design	CHH	2024.07.15	材料 Material	/	版本号 Revision Number	重量 Weight	比例 Scale
审核 Check	CHH	2024.07.15	物料号 Item No.	/	MO	/	1:1
工艺 Process	-	-		/	第1页/共1页 1 of 1	mm	
标准化 Unify	-	-		/	宁波盛普电子有限公司 NINGBO SUPU ELECTRONICS CO.,LTD.		
批准 Approve	XJ	2024.07.15		/			

借通用件登记  
Common Part

原图号  
Old Draw. No.

底图总号  
Assembly No.