

## Data sheet

Commercial Art.No.: 46.031.4551.6

Connector RST16i3/2S B1 ZT4S A TB

RST16i3/2 connector, 2 pole, female, screw connection, application 250/400V, 16A, for cable diameters 5.0-9.5mm, coding color turquoise blue, color of housing black



Commercial Art.No.	46.031.4551.6
EAN	4049088295904
Order Unit	1

Certificates / Approvals



## Technical data

### General

Rated current	16 A
Rated voltage	250 V / 400 V
Rated impulse voltage	4 kV
strain relief	yes
Pollution degree	3
Lockable	self-locking (unlocking by hand)
Color of coding/ contact carrier	turquoise blue
Marking of poles	D1, D2
Color of housing inclusive strain relief	black

### Connection Data

Cable diameter max.	9.5 mm
Cable diameter min.	5 mm
Connection cross section solid mm <sup>2</sup> max.	2.5 mm <sup>2</sup>
Connection cross section solid mm <sup>2</sup> min.	0.25 mm <sup>2</sup>
Connection cross section fine stranded mm <sup>2</sup> max.	2.5 mm <sup>2</sup>
Connection cross section fine stranded mm <sup>2</sup> min.	0.25 mm <sup>2</sup>
Terminations per pole	1
sheath strip length	25 mm
Wire strip length	8 mm

### Model

Model	female
Connection type	screw connection

Degree of protection (IP)	IP66/68 (3m;2h) /IP69
---------------------------	-----------------------

#### Material

Housing material	Polyamide
halogen free	yes
Contact material	CuZn
Fire load	0.151 kWh
Insulation components continuous temperature	100 °C
Surface finish	Silver-plated

#### Dimensions

Length	71 mm
Width	19.9 mm
Height	19.9 mm

#### Classification

ECLASS 11	
ECLASS 8.1	27440605
ETIM 7.0	EC002560
ETIM 6.0	EC002560
ETIM 5.0	EC002560
ETIM 4.0	EC002560

#### Note

Note	RST® terminals with screw clamping allow the connection of conductors without special preparation (without ferrules) according to EN 60999-1.
------	---

#### Product compliance

ROHS conformity status	Compliant/Exempted
ROHS exceptions	III-6(c)
REACH-SVHC conformity status	Duty-To-Declare
REACH-SVHC substances	Lead
REACH-SVHC CAS numbers	7439-92-1

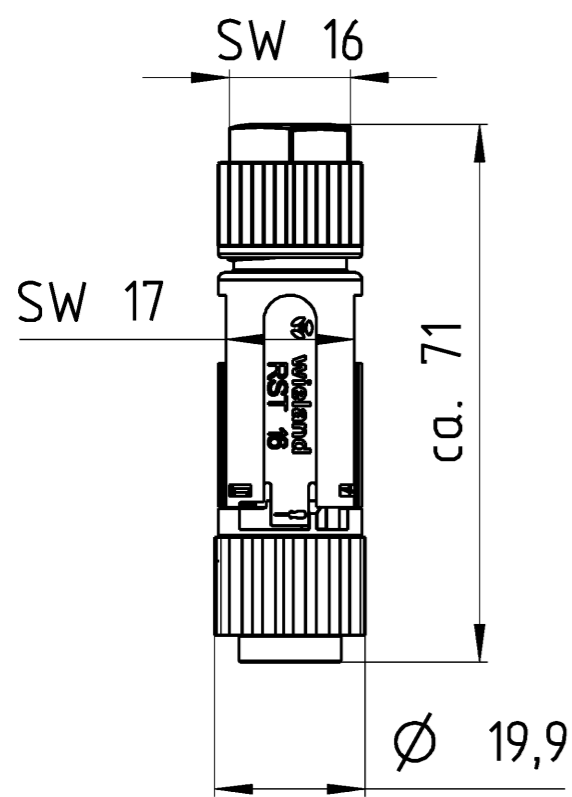
#### Fits with

Commercial Art.No.:	Article-type description:	Description:
46.032.4551.6	Connector RST16i3/2S S1 ZT4S A TB	RST16i3/2 connector, 2 pole, male, screw connection, application 250/400V, 16A, for cable diameters 5.0-9.5mm, coding color turquoise blue, color of housing black
46.032.5051.6	Device connector RST16i3/2S S1 M02 A TB	RST16i3/2 device connector M16, 2 pole, male, screw connection, application 250/400V, 16A, coding color turquoise blue
46.030.0151.6	Distributor RST16i2B 3P1 FGVGA TB	RST16i3/2 compact distribution unit, 2 pole, application 250/400V, 16 A, 1 input and 3 outputs, fastening option, coding color turquoise blue, color of housing black
46.032.M051.6	Device connector RST16i3/2 S D03 MTB	RST16i3/2 modular device connector M20, 2 pole, male, spring clamp connection, with automatic wiring option, application 250/400V, 16A, coding color turquoise blue

46.032.M0L1.6	Device connector RST16I3/2 2 D03 MTB	RST16i3/2 modular device connector with longitudinal sealing M20, 2 pole, male, spring clamp connection, with automatic wiring option, application 250/400V, 16A, coding color turquoise blue
46.030.1251.6	Distributor RST16I2V 2P1 TGVGA TB	RST16i3/2 distribution block, 2 pole, application 250/400V, 16 A, 1 input and 2 outputs, fastening option with separate mounting plate, coding color turquoise blue

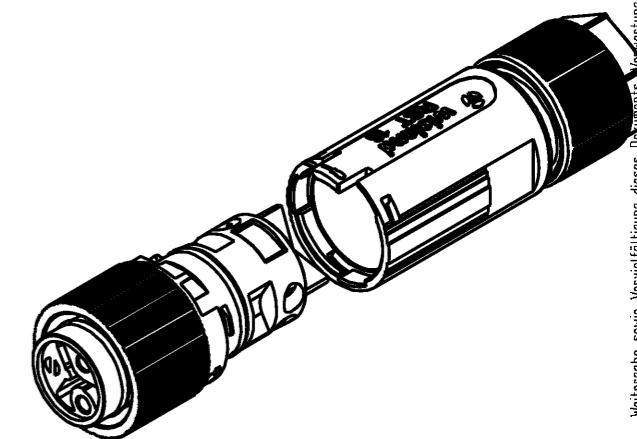
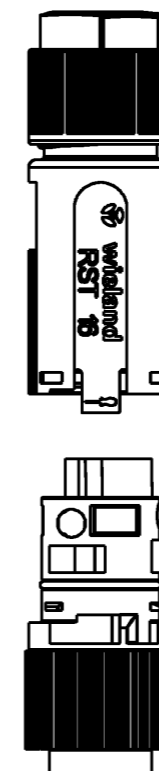
A These dimensions will be especially checked at delivery  
 Only inspection dimensions  
 With JE marked dimensions are only valid for internal use

C Diese Maße werden bei Abnahme besonders geprüft  
 Ausschließlich Prüfmaße  
 Mit JE gekennzeichnete Maße sind nur für interne Zwecke gültig

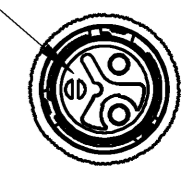


- Kodierung/  
Coding
-  C1
  -  C3
  -  C4
  -  C5

Auslieferungszustand/  
delivery condition



Pol nicht montiert  
pole not mounted



Weitergabe sowie Vervielfältigung dieses Dokuments, Verwertung und Mitteilung seines Inhalts sind verboten, soweit nicht ausdrücklich gestattet. Die Reproduktion, Distribution und Utilization of this document as well as the communication of its contents to others without express authorization is prohibited.

46.031.4551.6	RST1613 S B1 ZT4S H BL	C5	türkisblau /turquoise blue
46.031.4554.9	RST1613 S B1 ZT4S L BR	C4	lichtblau /light blue
46.031.4551.4	RST1613 S B1 ZT4S GN	C3	signalbraun /signal brown
46.031.4554.1	RST1613 S B1 ZT4 SW	C1	schwarz /black
46.031.4554.0	RST1613 S B1 ZT4 GL	C1	lichtgrau /light grey
Bestellnummer Order number	Type	Kodierung Coding	
Weitere Daten siehe KATALOG oder eKatalog. Additional data see CATALOG or eCatalog		www.wieland-electric.com eshop.wieland-electric.com	

Tolerierung Size ISO 14405 (E) / Tolerance system Size ISO 14405 (E). (This ISO-standard describes the envelope principle. According to the envelope principle the deviations of form and parallelism are limited by the size tolerances).		ja/yes <input checked="" type="checkbox"/> Stoffverbots- und Deklarationsliste nach WN 5020.010 ist einzuhalten. Conformity with Wieland document WN 5020.010 e (list of prohibited / declarable hazardous substances) to be declared!	
Freitoleranz nach General tolerance		CAD - Zeichnung, keine manuellen Änderungen CAD - drawing, no manual modifications allowed	
1. Verwendung: First Use:		Blatt: 1 von Sheet: 1 of	
Werkstoff / Material		Tag/Date	Name
Maßstab / Scale		gezeichnet drawn	11.04.16 Ritter
1:1		geprüft checked	
Vol. --- mm <sup>3</sup>		Normgepr. Stand. check	
Ofl./Surf. --- mm <sup>2</sup>		Zeichnung Nr. / Drawing No.	
Ersatz für / Replacement for:		T 46.031.4554.013K	
Type		Maße in mm / Dimensions are in mm	
Bennennung/Title		RST16..	
www.wieland-electric.com		BUCHSENEIL mit Zugentlastung 2-polig female with strain relief 2-pole	
Index	Datum / Blatt Date / Sheet		
Änderung / Revision			