

Transmittal, reproduction, dissemination and/or editing of this document as well as utilization of its contents and communication thereof to others without express authorization are prohibited.
未经允许禁止传输、复制、编辑该文档，以及利用其内容进行交流

REVISION RECORD				
REV	CN	DESCRIPTION	DRFT	DATE

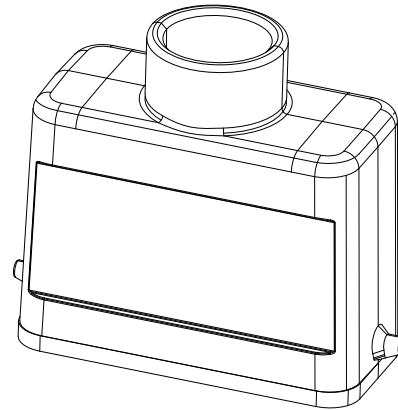
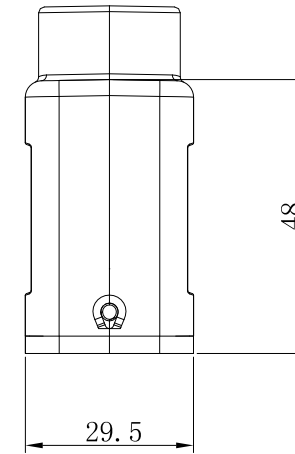
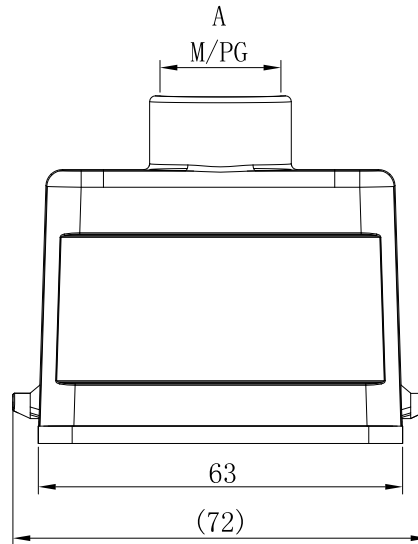
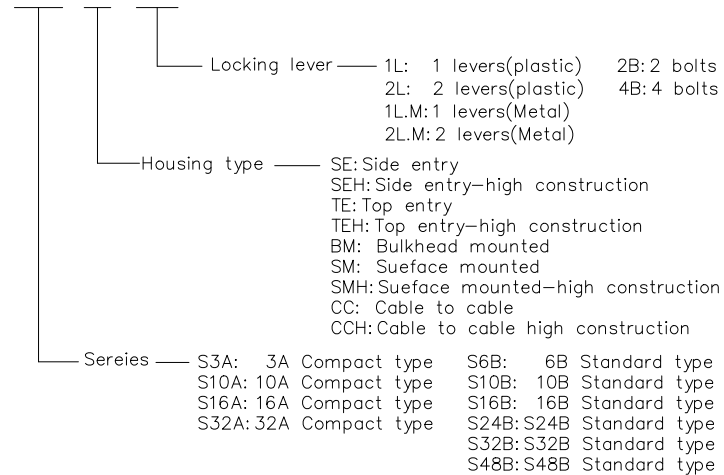
General information:

- 1.Material: Aluminium die-cast
- 2.Colour: Grey
- 3.Surface: Powder-coated
- 4.Operating temperature: -40°C~+125°C
- 5.Degree of protection acc.to DIN EN60529 for coupled connector: IP65
- 6.Outgoing direction: Top entry
- 7.Thread specifications: M/PG
- 8.Hoods&Housings seal: NBR
- 9.Undimensioned Tolerances:

Pitch Range In mm		Nominal Dimension Range In mm					-	∧
TO	Over	Over	Over	Over	Over	0.1/10	∠	
6	TO	TO	TO	TO	TO	∠	∠	
±0.15	±0.20	±0.30	±0.30	±0.50	±0.70	±1.00	±1.30	±2'

HOW TO ORDER:

S10A-BM-1L.M



Order number	A
S10A-TE-2B-M20	M20×1.5
S10A-TE-2B-PG16	PG16

订货号 Order No.	S10A-TE-2B-XXX		名称 Name	S10A顶出线双耳上壳	未注公差 Tolerance	表面 Surface	
项目 Item	签字 Signature	日期 Date			Tolerances Table		VDI21
设计 Design	CHH	2024.07.09	图号 Drawing No.	/	版本号 Revision Number	重量 Weight	比例 Scale
审核 Check	CHH	2024.07.09	材料 Material	/	MO	/	1:1
工艺 Process	-	-	物料号 Item No.	/	第1页/共1页 1 of 1	mm	
标准化 Unify	-	-		...	宁波盛普电子有限公司 NINGBO SUPU ELECTRONICS CO.,LTD.		
批准 Approve	XJ	2024.07.09		/			

借通用件登记
Common Part

原图号
Old Draw. No.

底图总号
Assembly No.