

Data sheet

Commercial Art.No.: 73.357.4035.1

Hood BAS GOT GF 16HM25 50 A1

Hood revos basic made of aluminum, with double locking lever and threaded hole M25 on the top, low version, 16-poles



Commercial Art.No.	73.357.4035.1
EAN	4015573624184
Order Unit	1

Technical data

General

Housing material	aluminum
Color	Grey
Surface	With powder coating
Degree of protection (IP)	Other
UV resistant	yes
Inflammability class of insulation material acc. with UL94	Other
Operating temperature range min.	-40 °C
Operating temperature range max.	120 °C

Model

Construction	16H
Locking mechanism	Double locking levers
Cable entry	Above
Type of cable	Thread
With cable screw gland	No
Thread size M	25
Thread size PG	
Hinged lid	No
EMC-version	No
Length	94 mm
Width	56 mm
Height	76 mm

Classification

ECLASS 11	
-----------	--

ECLASS 8.1	27440202
ETIM 7.0	EC000437
ETIM 6.0	EC000437
ETIM 5.0	EC000437
ETIM 4.0	EC000437
ETIM 3.0	EC000437

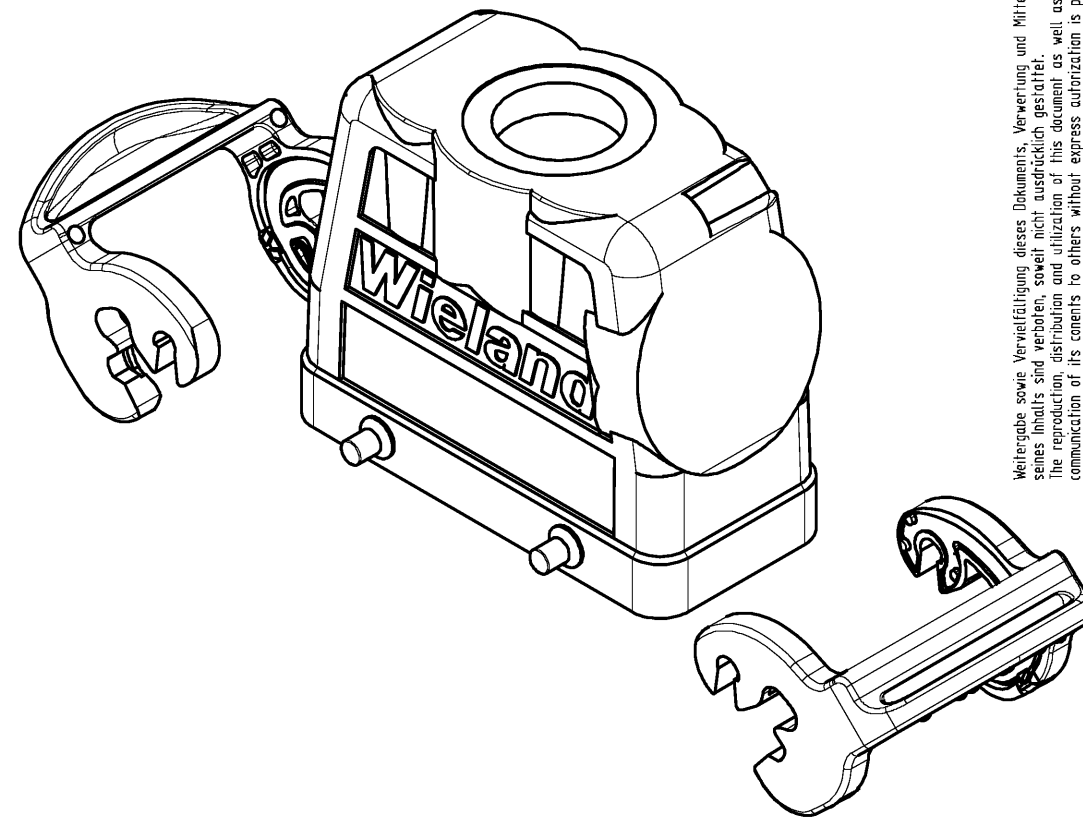
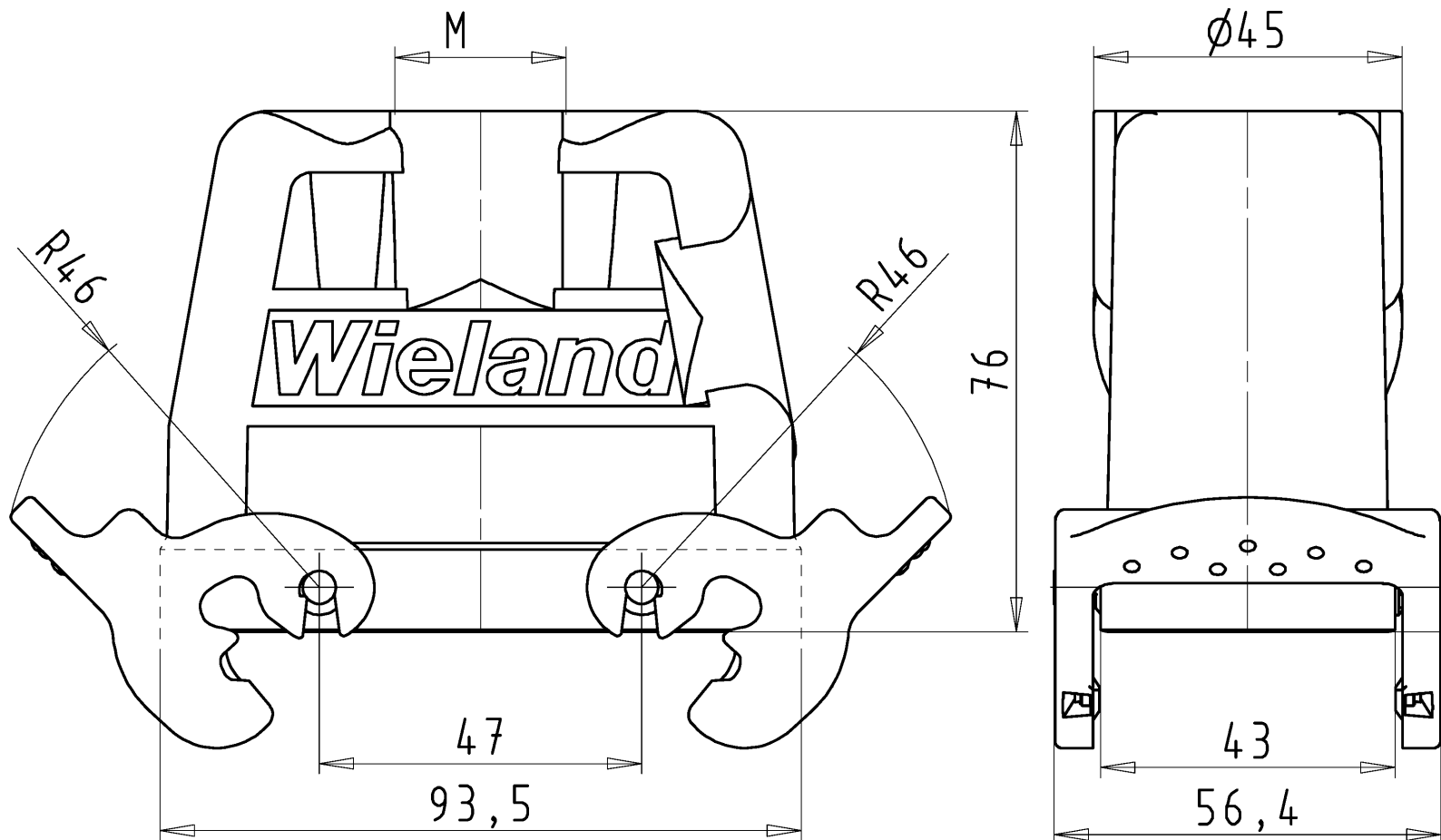
Product compliance

REACH-SVHC conformity status	Compliant
------------------------------	-----------

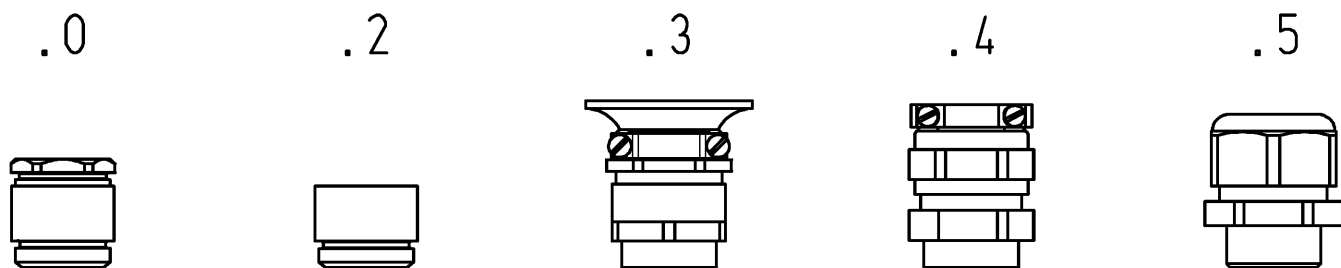
Fits with

Commercial Art.No.:	Article-type description:	Description:
70.300.1602.0	Female insert BAS BUS 16 2,5 50 AG	Female insert revos basic, 16-poles, rated current: 16A, rated voltage:500V, with silver-plated contacts
70.300.1640.0	Female insert BAS BUS 16 2,5 50	Female insert revos basic, 16-poles, rated current: 16A, rated voltage:500V, with tin-plated contacts
70.301.1640.0	Female insert BAS BUS 16 2,5 50 AU	Female insert revos basic, 16-poles, rated current: 16A, rated voltage:500V, with gold-plated contacts
70.302.1640.0	Female insert BAS BUS OD 16 2,5 50	Female insert revos basic, 16-poles, rated current: 16A, rated voltage:500V, with tin-plated contacts
70.310.1602.0	Male insert BAS STS 16 2,5 50 AG	Male insert revos basic, 16-poles, rated current: 16A, rated voltage: 500V, with silver-plated contacts
70.310.1640.0	Male insert BAS STS 16 2,5 50	Male insert revos basic, 16-poles, rated current: 16A, rated voltage: 500V, with tin-plated contacts
70.311.1640.0	Male insert BAS STS 16 2,5 50 AU	Male insert revos basic, 16-poles, rated current: 16A, rated voltage: 500V, with gold-plated contacts
70.312.1640.0	Male insert BAS STS OD 16 2,5 50	Male insert revos basic, 16-poles, rated current: 16A, rated voltage: 500V, with tin-plated contacts
70.500.1653.0	Female insert BAS BUF 16 2,5 50	Female insert revos basic, 16-poles, rated current: 16A, rated voltage:500V, with silver-plated contacts
70.510.1653.0	Male insert BAS STF 16 2,5 50	Male insert revos basic, 16-poles, rated current: 16A, rated voltage: 500V, with tin-plated contacts
70.502.1653.0	Female insert BAS BUM 16 2,5 50 AG	Female insert revos basic, 16-poles, rated current: 16A, rated voltage:500V, with silver-plated contacts
70.512.1653.0	Male insert BAS STM 16 2,5 50 AG	Male insert revos basic, 16-poles, rated current: 16A, rated voltage: 500V, with silver-plated contacts
70.700.1658.0	Female insert BAS BUC 16 50	Female insert revos basic, 16-poles, rated current: 16A, rated voltage:500V, with tin-plated contacts
70.710.1658.0	Male insert BAS STC 16 50	Male insert revos basic, 16-poles, rated current: 16A, rated voltage: 500V, with tin-plated contacts
70.800.3256.0	Female insert BAS BUCK 32 50 PC	Female insert revos basic, 32-poles, polycarbonate insert, rated current: 16A, rated voltage: 500V, with gold-plated or silver-plated contacts
70.810.3256.0	Male insert BAS STCK 32 50 PC	Male insert revos basic, 32-poles, polycarbonate insert, rated current: 16A, rated voltage: 500V, with gold-plated or silver-plated contacts
70.400.0640.0	Female insert BAS BUS 6 2,5 64	Female insert revos basic, 6-poles, rated current: 16A, rated voltage: 690V, with tin-plated contacts
70.410.0640.0	Male insert BAS STS 6 2,5 64	Male insert revos basic, 6-poles, rated current: 16A, rated voltage: 690V, with tin-plated contacts
72.300.1653.0	Female insert BAS BUS 16 2,5 69	Female insert revos basic, 16-poles, rated current: 16A, rated voltage:690V, with tin-plated contacts

72.310.1653.0	Male insert BAS STS 16 2,5 69	Male insert revos basic, 16-poles, rated current: 16A, rated voltage: 690V, with tin-plated contacts
72.700.1658.0	Female insert BAS BUC 16 69	Female insert revos basic, 16-poles, rated current: 16A, rated voltage:690V, with tin-plated contacts
72.710.1658.0	Male insert BAS STC 16 69	Male insert revos basic, 16-poles, rated current: 16A, rated voltage: 690V, with tin-plated contacts
73.800.7253.0	Female insert DD BUC 72 1,5 25	revos DD 72 pole + ground, female insert 250V/10A, crimp connection
73.810.7253.0	Male insert DD STC 72 1,5 25	revos DD 72 pole + ground, male insert, 250V/10A, crimp connection
73.700.4058.0	Female insert HD BUC 40 25	revos HD 40 pole + ground, female insert, 250V/10A, crimp connection
73.710.4058.0	Male insert HD STC 40 25	revos HD 40 pole + ground, male insert 250V/10A, crimp connection
70.200.0653.0	Female insert POW BUS 6 6,0 40 AG	revos POWER 6 pole + ground, female insert 400V/35A, screw connection
70.210.0653.0	Male insert POW STS 6 6,0 40 AG	revos POWER 6 pole + ground, male insert 400V/35A, screw connection
72.208.0453.0	Female insert POW BUS 4 16 64 AG	revos POWER 4 pole + ground, female insert 690V/400V/82A, screw connection
72.218.0453.0	Male insert POW STS 4 16 64 AG	revos POWER 4 pole + ground, male insert 690V/400V/82A, screw connection
72.205.1053.0	Female insert POW BUS 4/6 DA D AG	revos POWER 4-/6 pole + ground, male insert 690V/4x35A + 6x16A, screw connection
72.215.1053.0	Male insert POW STS 4/6 DA D AG	revos POWER 4-/6 pole + ground, male insert 690V/4x35A + 6x16A, screw connection
72.205.0653.0	Female insert POW BUS 4/2 FA DB AG	revos POWER 4-/2 pole + ground, male insert 690V/4x82A + 400V/2x16A, screw connection
72.215.0653.0	Male insert POW STS 4/2 FA DB AG	revos POWER 4-/2 pole + ground, female insert 690V/4x82A + 400V/2x16A, screw connection
70.405.1653.0	Female insert BAS BUP 16 2,5 50 AG	Female insert revos basic, 16-poles, rated current: 16A, rated voltage:500V, with silver-plated contacts
70.415.1653.0	Male insert BAS STP 16 2,5 50 AG	Male insert revos basic, 16-poles, rated current: 16A, rated voltage: 500V, with silver-plated contacts
72.703.1453.0	Female insert POW BUC 12/2 DE	
72.713.1453.0	Male insert POW STC 12/2 DE	
72.703.4253.0	Female insert POW BUC 6/36 DF	
72.713.4253.0	Male insert POW STC 6/36 DF	



Varianten/ Variants



67 73.359.4035.5 57	BAS GOT GF 16H	M40 M32 M25	A5	Kabelverschraubung(KV), IP65 /Cable gland(CG), IP65	
67 73.359.4035.4 57	BAS GOT GF 16H	M40 M32 M25	A4	KV mit Zugentlastung, IP54 /CG with strain relief, IP54	
67 73.359.4035.3 57	BAS GOT GF 16H	M32 M25	A3	KV mit Zugentlastung und Knickschutz, IP54 /CG with strain relief and bend support, IP54	
67 73.359.4035.2 57	BAS GOT GF 16H	M40 M32 M25	A2	Zwischenstutzen /Bushing	
67 73.359.4035.1 57	BAS GOT GF 16H	M40 M32 M25	A1	Gewindebohrung /Thread hole	X
67 73.359.4035.0 57	BAS GOT GF 16H	M40 M32 M25	A0	Kabelverschraubung(KV), IP54 /Cable gland(CG), IP54	
Bestellnummer /Order number		Typ /Type		Varianten /Variants	
				dar- gestellt /drawn	

Weitere Daten siehe KATALOG oder eKatalog.
Additional data see CATALOG or eCatalog.

www.wieland-electric.com
eshop.wieland-electric.com

Tolerierung Size ISO 14405(®)/Tolerance system Size ISO 14405(®). (This ISO-standard describes the envelope principle. According to the envelope principle the deviations of form and parallelism are limited by the size tolerances).			ja/yes <input checked="" type="checkbox"/> Stoffverbots- und Deklarationsliste nach WN 5020.010 ist einzuhalten. Conformity with Wieland document WN 5020.010 e (list of prohibited / declarable hazardous substances) to be declared!		
Freitoleranz nach General tolerance		DIN ISO 2768 - m		CAD - Zeichnung, keine manuellen Änderungen CAD - drawing, no manual modifications allowed	
1.Verwendung: First Use:				Blatt: 1 von 1 Sheet: of 1	
/		Werkstoff/Material		2014 Tag/Date Name	
/		Aluminium		gezeichnet drawn 11.08. Treschan	
/ Maßstab/Scale		beschichtet/ coated		geprüft checked - -	
/		1:1		Normgepr. Stand. check - -	
/ Vol.		mm ³ Of l./Surf.		mm ³ Ersatz für/Replacement for: -	
/		www.wieland-electric.com		Type	
/		www.wieland-electric.com		Benennung/Title	
Index		Datum / Blatt Date / Sheet		revos BASIC	
Änderung/Revision				GEHAEUSEOBERTE IL Baugröße 16H-Kabelabgang 1x M25/M32/M40 oben hood size 16H-cable outlet 1x M25/M32/M40 above	

Weitergabe sowie Vervielfältigung dieses Dokuments, Verwertung und Mitteilung seines Inhalts sind verboten, soweit nicht ausdrücklich gestattet. Die Reproduktion, Distribution und Nutzung dieses Dokuments sowie die Kommunikation der Inhalte an Dritte ohne schriftliche Genehmigung ist ausdrücklich untersagt.

These dimensions will be especially checked at delivery
Only inspection dimensions
With /E marked dimensions are only valid for internal use

Diese Maße werden bei Abnahme besonders geprüft
Ausschließlich Prüfmaße
Mit /E gekennzeichnete Maße sind nur für interne Zwecke gültig