

# QUARTZ CRYSTAL



## SERIES 7M, SMD FOR TUNING FORK 7x1.5MM

### FEATURE

- Most appropriate for high-density circuit board by the small surface mount type
- Embedded with heat resistant cylinder type crystal bring highly stable characteristics
- Suitable for small mobile telecommunications devices
- RoHS compliant / Pb Free

### APPLICATIONS

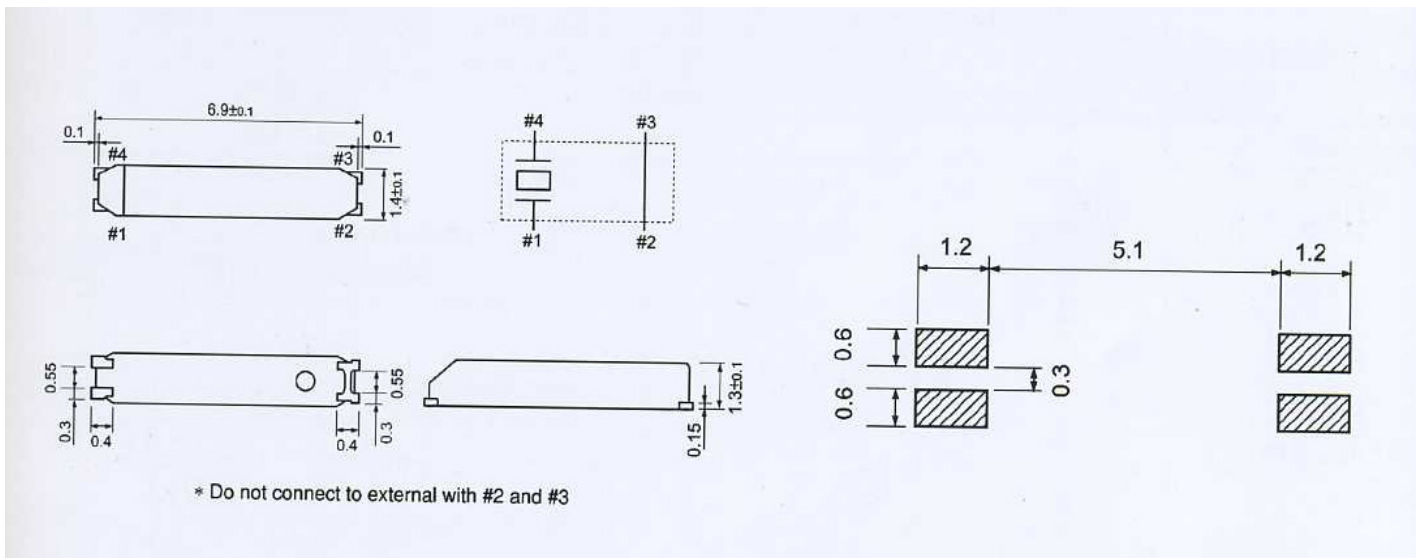
- Microprocessor Systems
- Consumer Electronics

### ELECTRICAL SPECIFICATIONS

Nominal Frequency	32.768KHz
Frequency Tolerance (at 25°C)	±20ppm or specify
Turnover Temperature	25 ± 5°C
Frequency Temperature Curve	-0.034(±0.006)ppm/°C <sup>2</sup>
Storage Temperature Range	-55 °C to +125 °C
Operable Temperature Range	-40 °C to + 85 °C
Shunt Capacitance (C <sub>0</sub> )	1.2pF Typ
Motional(series)resistance	30~50kohm Max
Driver Level (Typical)	1 μW Max
Load Capacitance(C <sub>L</sub> )	12.5pF
Aging @25°C 1 <sup>st</sup> year (Max)	±3ppm/year

**REMARK:** SPECIFICATIONS SUBJECT TO CHANGE WITHOUT PRIOR NOTICE. PLEASE CONFIRM WITH OUR SALES ENGINEER.

### PACKING AND DIMENSIONS



### PART NUMBER SYSTEM

