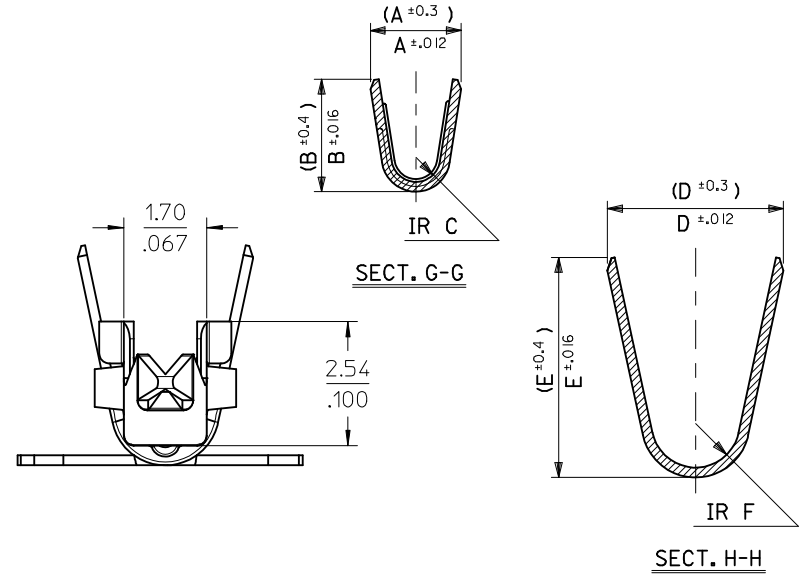
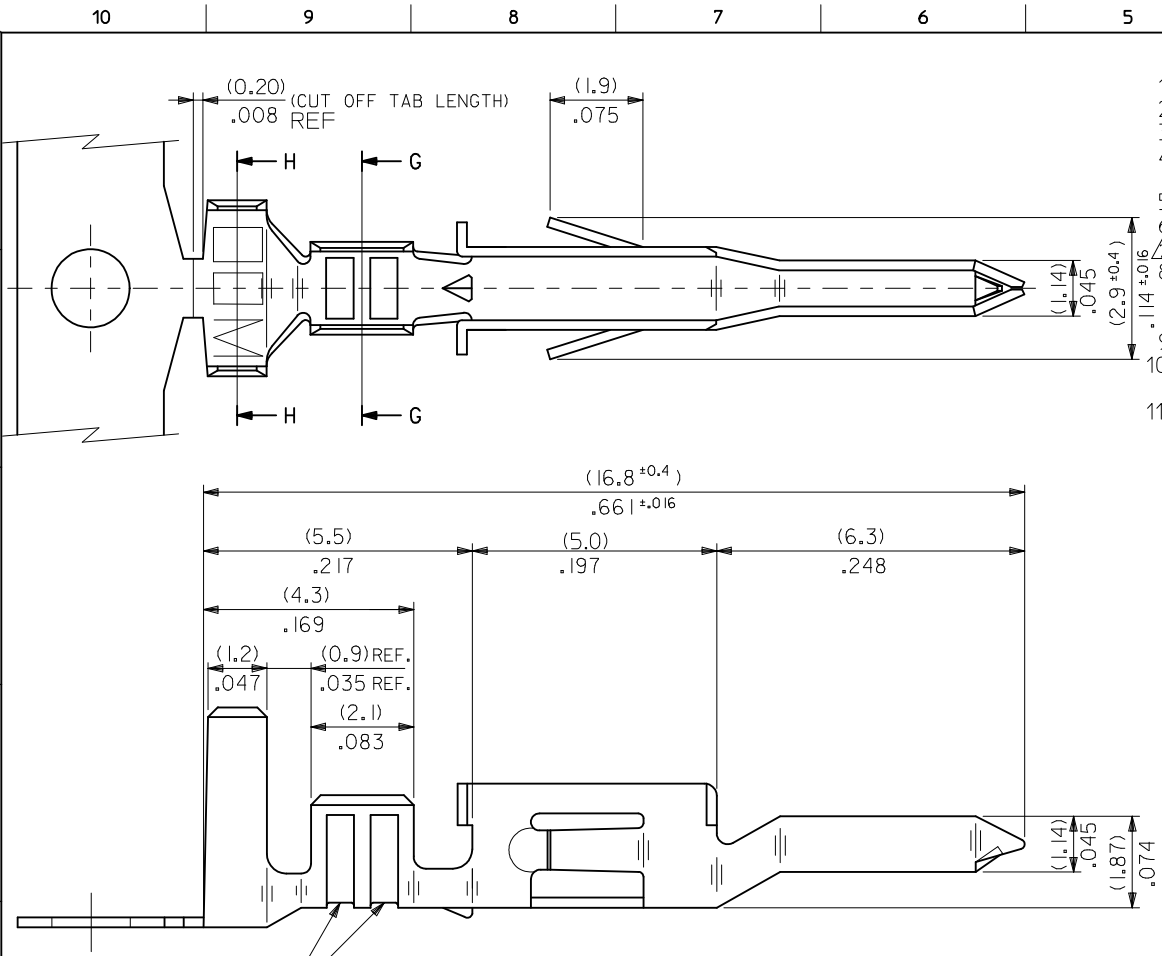


**NOTES**

1. MATERIAL: SEE CHART
2. FINISH: SEE CHART
3. PRODUCT SPECIFICATION: PS-5556-001, PS-5556-002, PS-5556-003
4. PACKAGING SPECIFICATION: PK-5558-001 FOR CHAIN  
PK-5556-003 FOR LOOSE
5. MATES WITH TERMINAL: 5556 SERIES.
6. APPLICABLE HOUSING: 5559, 30068, 42475 SERIES.
7. THE NUMBER OF SERRATIONS TO BE ONE FOR WIRE RANGE #22-28.
8. WHEN TERMINALS ARE INSTALLED IN THE HOUSING THE WIRES ARE TO BE DRESSED IN SUCH A MANNER TO ALLOW THE TERMINALS TO FLOAT FREELY IN THE POCKET.
9. THIS TERMINAL IS DESIGNED FOR SINGLE WIRE CRIMPING.
10. PART CONFORMS TO CLASS "B" REQUIREMENTS OF COSMETIC SPECIFICATION PS-45499-002.
11. TEXT ON PART IS FOR REFERENCE ONLY. TEXT AND TEXT LOCATION MAY VARY DEPENDING ON PART NUMBER AND/OR TOOL.

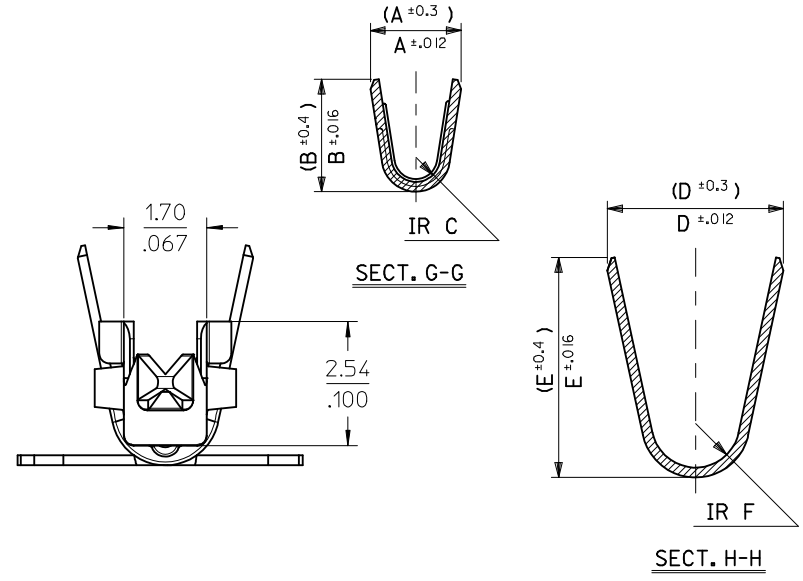
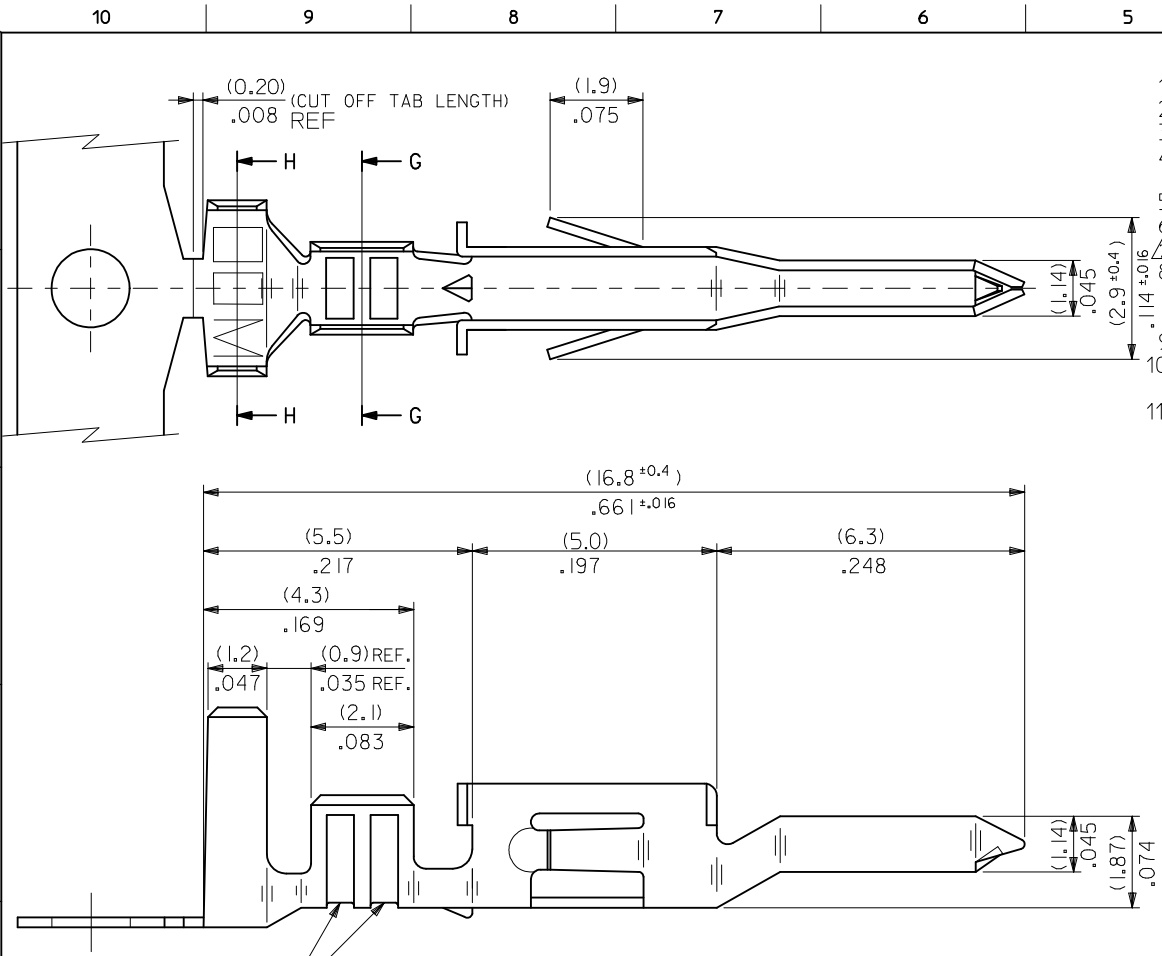


18-24 TERMINAL SHOWN

<b>ADD FRONT VIEW</b> EC NO: UCP2017-1893 DRWNG: SLAFTER 2017/02/28 CHKD: JBELL 2017/03/14 APPR: FSMITH 2017/07/31	QUALITY SYMBOLS ▽=0 ▽=0 ▽=0	GENERAL TOLERANCES (UNLESS SPECIFIED)		DIMENSION STYLE MM/IN		SCALE	DESIGN UNITS METRIC	THIRD ANGLE PROJECTION		
		4 PLACES ± --- ± ---		DRAWN BY DATE H.HIRAMOTO 1991/03/12		TITLE		MINI-FIT JR OVERALL TIN MALE CRIMP TERMINAL <b>MOLEX INCORPORATED</b>		
		3 PLACES ± --- ± .010		CHECKED BY DATE S.KUNISHI 1998/07/07		MATERIAL NO.				
		2 PLACES ± .25 ± .010		APPROVED BY DATE FSMITH 2010/04/09		SEE CHART		SD-5558****		1 OF 2
1 PLACE ± .25 ± ---		ANGULAR ± 3 °		DRAFT WHERE APPLICABLE MUST REMAIN WITHIN DIMENSIONS						

**NOTES**

1. MATERIAL: SEE CHART
2. FINISH: SEE CHART
3. PRODUCT SPECIFICATION: PS-5556-001, PS-5556-002, PS-5556-003
4. PACKAGING SPECIFICATION: PK-5558-001 FOR CHAIN  
PK-5556-003 FOR LOOSE
5. MATES WITH TERMINAL: 5556 SERIES.
6. APPLICABLE HOUSING: 5559, 30068, 42475 SERIES.
7. THE NUMBER OF SERRATIONS TO BE ONE FOR WIRE RANGE #22-28.
8. WHEN TERMINALS ARE INSTALLED IN THE HOUSING THE WIRES ARE TO BE DRESSED IN SUCH A MANNER TO ALLOW THE TERMINALS TO FLOAT FREELY IN THE POCKET.
9. THIS TERMINAL IS DESIGNED FOR SINGLE WIRE CRIMPING.
10. PART CONFORMS TO CLASS "B" REQUIREMENTS OF COSMETIC SPECIFICATION PS-45499-002.
11. TEXT ON PART IS FOR REFERENCE ONLY. TEXT AND TEXT LOCATION MAY VARY DEPENDING ON PART NUMBER AND/OR TOOL.



18-24 TERMINAL SHOWN

<b>ADD FRONT VIEW</b> EC NO: UCP2017-1893 DRWNG: SLAFTER 2017/02/28 CHKD: JBELL 2017/03/14 APPR: FSMITH 2017/07/31	QUALITY SYMBOLS ▽=0 ▽=0 ▽=0	GENERAL TOLERANCES (UNLESS SPECIFIED)		DIMENSION STYLE MM/IN		SCALE	DESIGN UNITS METRIC	THIRD ANGLE PROJECTION		
		4 PLACES ± --- ± ---		DRAWN BY DATE H.HIRAMOTO 1991/03/12		TITLE		MINI-FIT JR OVERALL TIN MALE CRIMP TERMINAL <b>MOLEX INCORPORATED</b>		
		3 PLACES ± --- ± .010		CHECKED BY DATE S.KUNISHI 1998/07/07		MATERIAL NO.				
		2 PLACES ± .25 ± .010		APPROVED BY DATE FSMITH 2010/04/09		SEE CHART		SD-5558****		1 OF 2
1 PLACE ± .25 ± ---		ANGULAR ± 3 °		DRAFT WHERE APPLICABLE MUST REMAIN WITHIN DIMENSIONS						

10 9 8 7 6 5 4 3 2 1

REFLOWED MATTE TIN 0.00090/(.000035)  
MIN. (PREPLATE) (FINISH IS BRIGHT IN APPEARANCE,  
THICKNESS AS APPLIED PRIOR TO REFLOW)

PHOSPHOR  
BRONZE

(0.9) .035	(4.5) .177	(3.6) .142	(0.6) .024	(2.7) .106	(2.3) .091	∅ (3.1) .122 MAX.	# 16
(0.6) .024	(2.3) .091	(2.3) .091	(0.4) .016	(1.65) .065	(1.8) .071	∅ (0.9-1.8) .035-.071	#22-28
(0.9) .035	(4.5) .177	(3.6) .142	(0.5) .020	(2.3) .091	(1.9) .075	∅ (1.3-3.1) .051-.122	#18-24

39-00-0084	5558 PBT3L	LOOSE
↑ -0083	↑ PBT3	CHAIN
-0068	PBT2L	LOOSE
-0067	PBT2	CHAIN
-0062	PBTL	LOOSE
-0061	PBT	CHAIN

REFLOWED MATTE TIN 0.00090/(.000035)  
MIN OVER COPPER 0.00050/(.000020)  
MIN. (PREPLATE) (FINISH IS BRIGHT IN APPEARANCE,  
THICKNESS AS APPLIED PRIOR TO REFLOW)

BRASS

(0.9) .035	(4.5) .177	(3.6) .142	(0.6) .024	(2.7) .106	(2.3) .091	∅ (3.1) .122 MAX.	# 16
(0.6) .024	(2.3) .091	(2.3) .091	(0.4) .016	(1.65) .065	(1.8) .071	∅ (0.9-1.8) .035-.071	#22-28
(0.9) .035	(4.5) .177	(3.6) .142	(0.5) .020	(2.3) .091	(1.9) .075	∅ (1.3-3.1) .051-.122	#18-24

↑ -0082	T3L	LOOSE
-0081	T3	CHAIN
-0049	T2L	LOOSE
-0048	T2	CHAIN
↓ -0041	↓ TL	LOOSE
39-00-0040	5558 T	CHAIN

PLATING

MATERIAL

F	E	D	C	B	A	INS. RANGE	WIRE RANGE	EDP NO.	ENG. NO.	FORM
---	---	---	---	---	---	------------	------------	---------	----------	------

SEE SHEET 1  
EC NO: UCP2017-1893  
DRAWN: GSLAFTER 2017/02/28  
CHKD: JBELL 2017/03/14  
APPR: FSMITH 2017/07/31

QUALITY SYMBOLS  
▽=0  
▽=0  
▽=0

GENERAL TOLERANCES (UNLESS SPECIFIED)

	mm	INCH
4 PLACES	± ---	± ---
3 PLACES	± ---	± .010
2 PLACES	± .25	± .010
1 PLACE	± .25	± ---
ANGULAR ± 3 °		

DRAFT WHERE APPLICABLE  
MUST REMAIN  
WITHIN DIMENSIONS

DIMENSION STYLE  
MM/IN

DRAWN BY	DATE
H.HIRAMOTO	1991/03/12
CHECKED BY	DATE
S.KUNISHI	1998/07/07
APPROVED BY	DATE
FSMITH	2010/04/09

SCALE

DESIGN UNITS  
METRIC

THIRD ANGLE PROJECTION

MINI-FIT JR  
OVERALL TIN  
MALE CRIMP TERMINAL

**molex** MOLEX INCORPORATED

MATERIAL NO. SEE CHART

DOCUMENT NO. SD-5558\*\*\*\*

SHEET NO. 2 OF 2

THIS DRAWING CONTAINS INFORMATION THAT IS PROPRIETARY TO MOLEX INCORPORATED AND SHOULD NOT BE USED WITHOUT WRITTEN PERMISSION

9 8 7 6 5 4 3 2 1