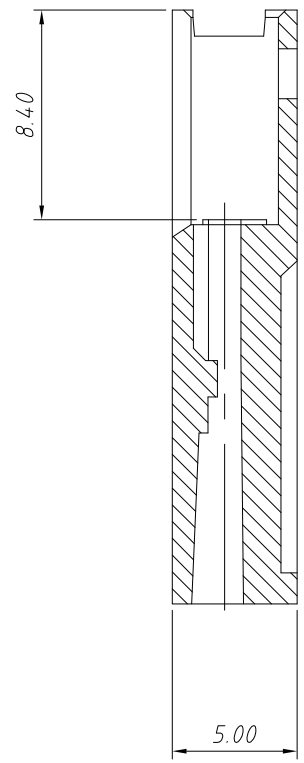
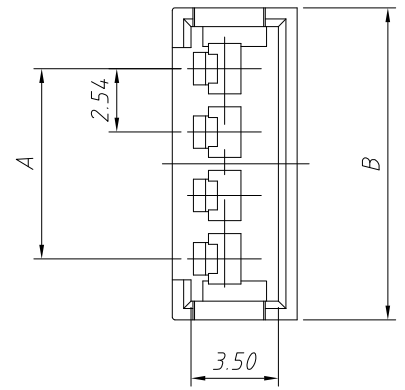


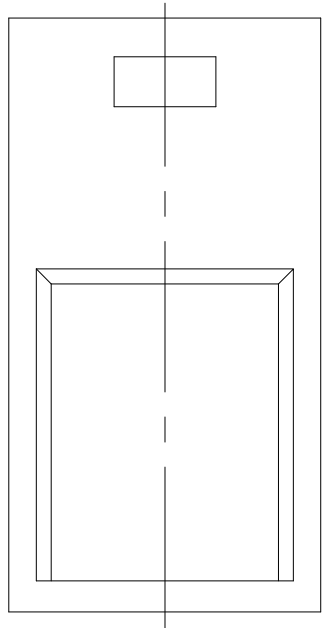
1
RoHS Compliance



Material:
Housing:PA66,UL 94V-0,Black

Electrical Characteristics:
Rated Current:3.0AMP
Voltage rating:250V AC,DC
Temperature range:-45°C ~ + 105°C
Insulator Resistance:1000M Ω Min
Withstanding Voltage:1000V AC/minute
Contact Resistance:20m Ω Max

Pin	Dimensions(mm)	
	A	B
02	2.54	7.42
03	5.08	9.96
04	7.62	12.50
05	10.16	15.04
06	12.70	17.58
07	15.24	20.12
08	17.78	22.66
09	20.32	25.20
10	22.86	27.74
11	25.40	30.28
12	27.94	32.82
13	30.48	35.36
14	32.02	37.90
15	35.56	40.44
16	38.10	42.98
17	40.64	45.52
18	43.18	48.06
19	45.72	50.60
20	48.26	53.14



Order Information:
L-KLS1-XL5-2.54-1 \times XX-MH

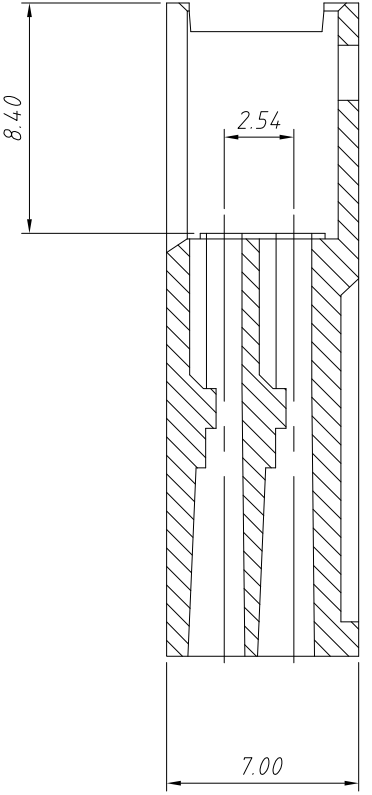
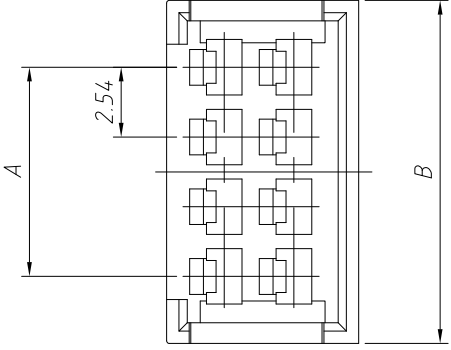
L: RoHS
Pitch:2.54mm
Row:
1-Single layer
2-Double layer
XX-No. of 02 ~ 20pins
Type:
MH / FH-Hosing MT / FT-Terminal
S1 / S2-Straight male pin
R1 / R2-Right angle male pin

ANGLE TOLERANCE	PROJECTION	Description:
$\pm 3^\circ$		2.54mm Pitch Wire To Board Connector
GENERAL TOLERANCE	UNITS	mm
x.x ± 0.30	SHEET SIZE	A4
x.xx ± 0.20	Draw:	Daniel 2021-01-11
x.xxx ± 0.10	Check:	Daniel 2021-01-11

L-KLS1-XL5-2.54-1 \times XX-MH

NingBo KLS ELECTRONIC CO.,L TD.

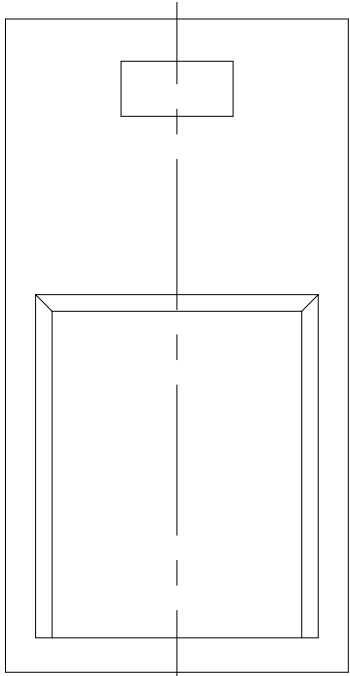
1
RoHS Compliance



Material:
Housing:PA66,UL94V-0,Black

Electrical Characteristics:
Rated Current:3.0AMP
Voltage rating:250V AC,DC
Temperature range:-45°C ~ + 105°C
Insulator Resistance:1000MΩ Min
Withstanding Voltage:1000V AC/minute
Contact Resistance:20mΩ Max

Pin	Dimensions(mm)	
	A	B
2×02	2.54	7.42
2×03	5.08	9.96
2×04	7.62	12.50
2×05	10.16	15.04
2×06	12.70	17.58
2×07	15.24	20.12
2×08	17.78	22.66
2×09	20.32	25.20
2×10	22.86	27.74
2×11	25.40	30.28
2×12	27.94	32.82
2×13	30.48	35.36
2×14	32.02	37.90
2×15	35.56	40.44
2×16	38.10	42.98
2×17	40.64	45.52
2×18	43.18	48.06
2×19	45.72	50.60
2×20	48.26	53.14



Order Information:
L-KLS1-XL5-2.54-2×XX-MH

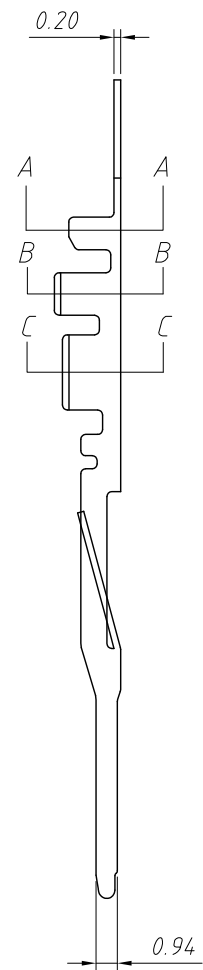
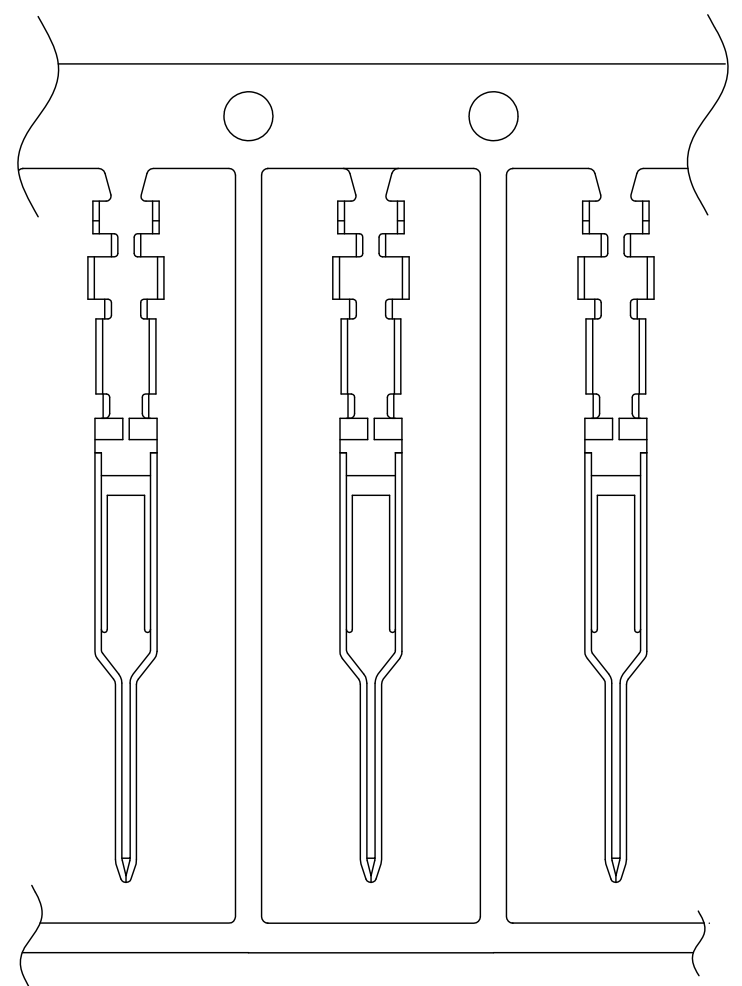
L: RoHS
Pitch:2.54mm
Row:
1-Single layer
2-Double layer
XX-No. of 02~20pins
Type:
MH / FH-Hosing MT / FT-Terminal
S1 / S2-Straight male pin
R1 / R2-Right angle male pin

ANGLE TOLERANCE	PROJECTION	Description:
±3°		2.54mm Pitch Wire To Board Connector
GENERAL TOLERANCE	UNITS	mm
x.x ±0.30	SHEET SIZE	A4
x.xx ±0.20	Draw:	Daniel 2021-01-11
x.xxx ±0.10	Check:	Daniel 2021-01-11

L-KLS1-XL5-2.54-2×XX-MH

NingBo KLS ELECTRONIC CO.,L TD.

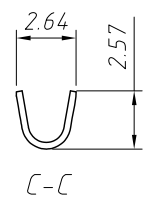
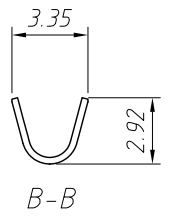
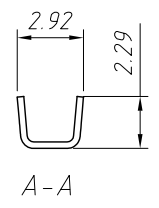
1
RoHS Compliance



Material:
 Terminal: Phosphor Bronze
 Plating: Tin plated
 Applicable wires: AWG #22 ~ # 30
 Insulation O.D.: 1.55mm
 Qty/reel: 15000 pcs

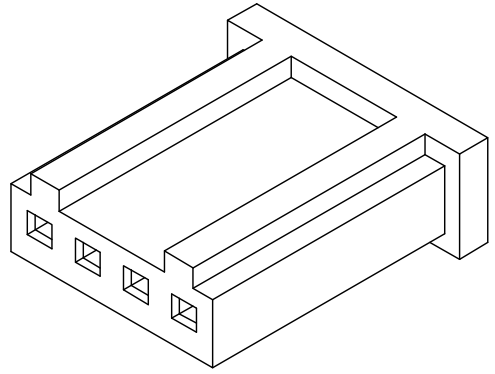
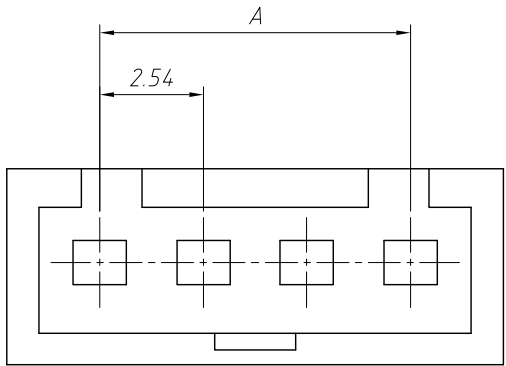
Electrical Characteristics:
 Rated Current: 3.0AMP
 Voltage rating: 250V AC, DC
 Temperature range: -45°C ~ + 105°C
 Insulator Resistance: 1000MΩ Min
 Withstanding Voltage: 1000V AC/minute
 Contact Resistance: 20mΩ Max

Order Information:
 L-KLS1-XL5-2.54-MT
 L: RoHS
 Pitch: 2.54mm
 Type:
 MH / FH-Hosing MT / FT-Terminal
 S1 / S2-Straight male pin
 R1 / R2-Right angle male pin



ANGLE TOLERANCE	PROJECTION	Description:		
±3°		2.54mm Pitch Wire To Board Connector		
GENERAL TOLERANCE	UNITS	mm	KLS P/N:	L-KLS1-XL5-2.54-MT
x.x ±0.30	SHEET SIZE	A4		NingBo KLS ELECTRONIC CO.,L TD.
x.xx ±0.20	Draw:	Daniel	2021-01-11	
x.xxx ±0.10	Check:	Daniel	2021-01-11	

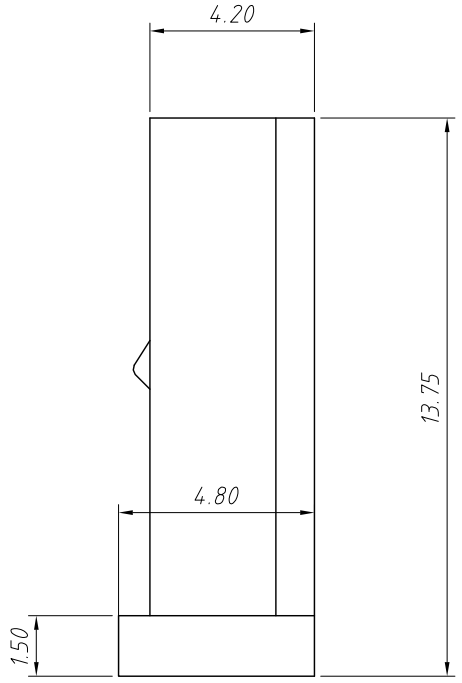
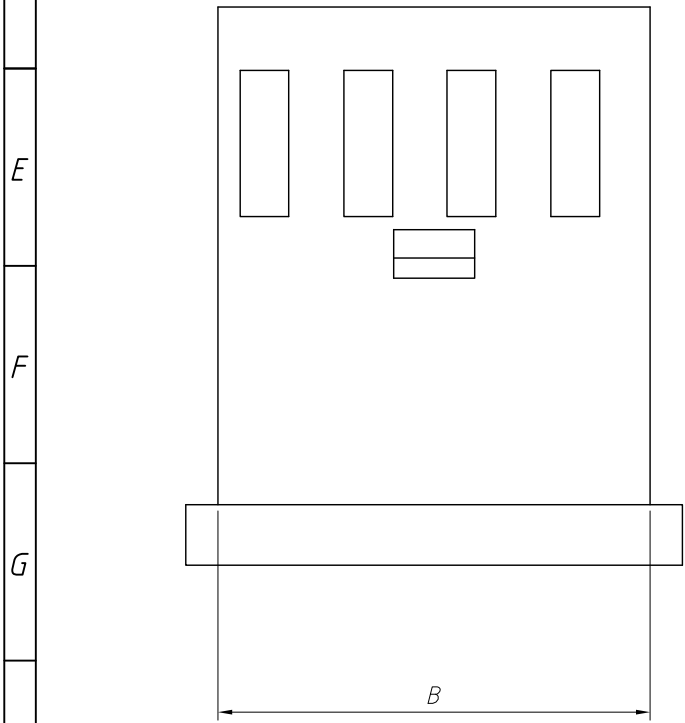
1
RoHS Compliance



Material:
Housing:PBT,UL 94V-0,Black

Electrical Characteristics:
Rated Current:3.0AMP
Voltage rating:250V AC,DC
Temperature range:-45°C ~ + 105°C
Insulator Resistance:1000M Ω Min
Withstanding Voltage:1000V AC/minute
Contact Resistance:20m Ω Max

Pin	Dimensions(mm)	
	A	B
02	2.54	5.60
03	5.08	8.14
04	7.62	10.68
05	10.16	13.22
06	12.70	15.76
07	15.24	18.30
08	17.78	20.84
09	20.32	23.38
10	22.86	25.92
11	25.40	28.46
12	27.94	31.00
13	30.48	33.54
14	32.02	36.08
15	35.56	38.62
16	38.10	41.16
17	40.64	43.70
18	43.18	46.24
19	45.72	48.78
20	48.26	51.32



Order Information:
L-KLS1-XL5-2.54-1×XX-FH

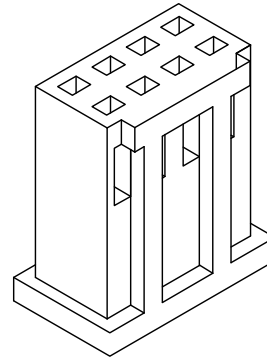
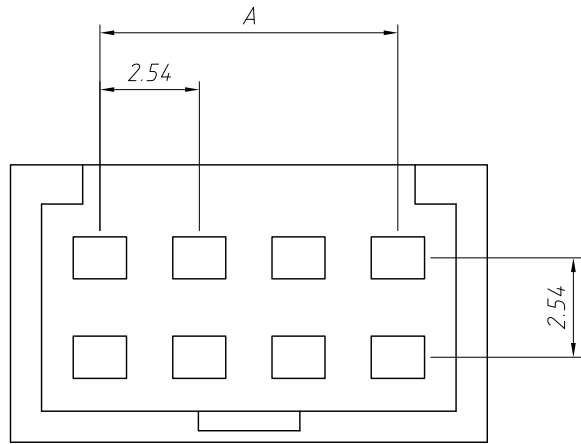
L: RoHS
Pitch:2.54mm
Row:
1-Single layer
2-Double layer
XX-No. of 02 ~ 20pins
Type:
MH / FH-Hosing MT / FT-Terminal
S1 / S2-Straight male pin
R1 / R2-Right angle male pin

ANGLE TOLERANCE	PROJECTION	Description:
$\pm 3^\circ$		2.54mm Pitch Wire To Board Connector
GENERAL TOLERANCE	UNITS	mm
x.x ± 0.30	SHEET SIZE	A4
x.xx ± 0.20	Draw:	Daniel 2021-01-11
x.xxx ± 0.10	Check:	Daniel 2021-01-11

L-KLS1-XL5-2.54-1×XX-FH

NingBo KLS ELECTRONIC CO.,L TD.

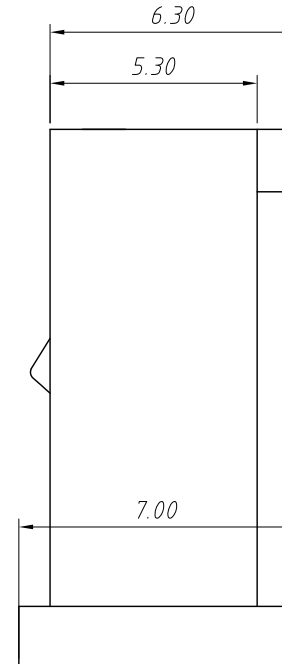
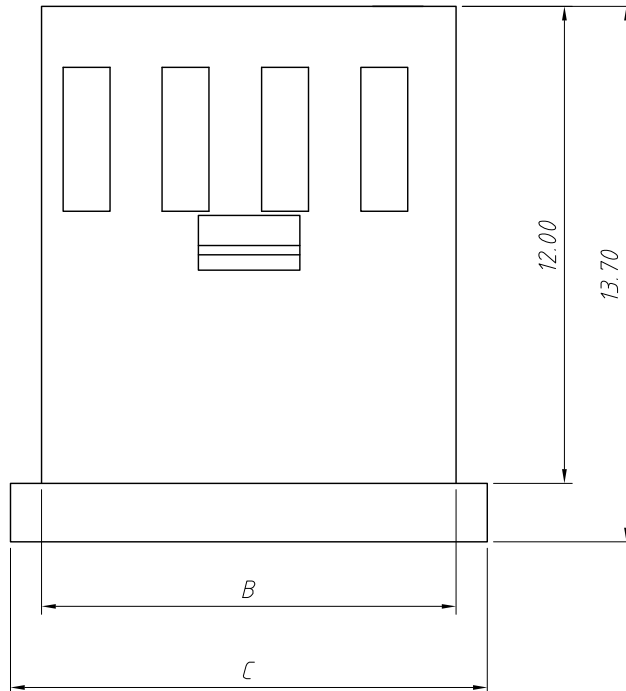
1 RoHS Compliance



Material:
Housing: PBT, UL 94 V-0, Black

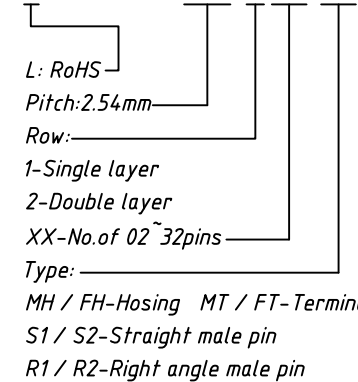
Electrical Characteristics:
Rated Current: 3.0 AMP
Voltage rating: 250V AC, DC
Temperature range: -45°C ~ +105°C
Insulator Resistance: 1000MΩ Min
Withstanding Voltage: 1000V AC/minute
Contact Resistance: 20mΩ Max

Pin	Dimensions(mm)		
	A	B	C
2×02	2.54	5.52	7.12
2×03	5.08	8.06	9.66
2×04	7.62	10.60	12.20
2×05	10.16	13.14	17.74
2×06	12.70	15.68	17.28
2×07	15.24	18.22	17.78
2×08	17.78	20.76	19.82
2×09	20.32	23.30	22.36
2×10	22.86	25.84	24.90
2×11	25.40	28.38	27.44
2×12	27.94	30.92	29.98
2×13	30.48	33.46	32.52
2×14	32.02	36.00	35.06
2×15	35.56	38.54	37.60
2×16	38.10	41.08	40.14
2×17	40.64	43.62	42.86
2×18	43.18	46.16	45.22
2×19	45.72	48.70	47.76
2×32	78.74	81.72	83.32



Order Information:

L-KLS1-XL5-2.54-2×XX-FH

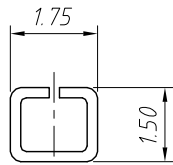
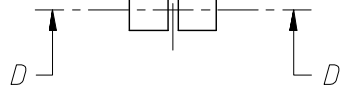
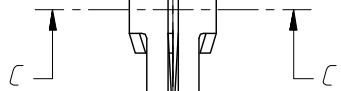
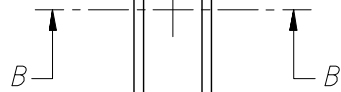
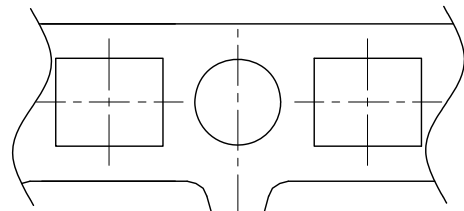


ANGLE TOLERANCE	PROJECTION	Description:
±3°		2.54mm Pitch Wire To Board Connector
GENERAL TOLERANCE	UNITS	mm
x.x ±0.30	SHEET SIZE	A4
x.xx ±0.20	Draw:	Daniel 2021-01-11
x.xxx ±0.10	Check:	Daniel 2021-01-11

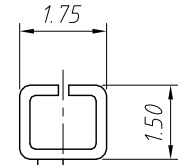


NingBo KLS ELECTRONIC CO.,L TD.

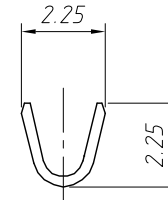
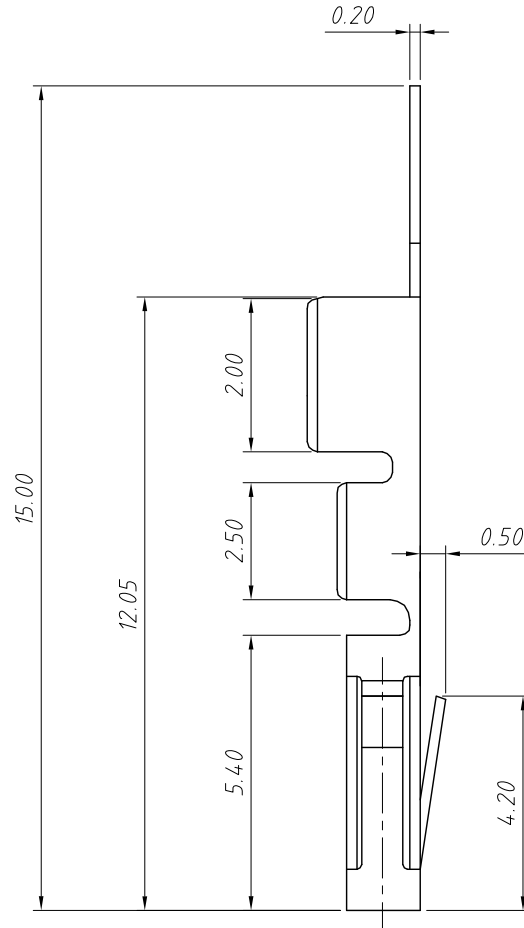
1 RoHS Compliance



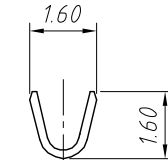
C-C



D-D



A-A



B-B

Material:
 Terminal: Phosphor Bronze
 Plating: Tin plated
 Applicable wires: AWG #22 ~ # 30
 Insulation O.D: 1.55mm
 Qty/reel: 15000 pcs

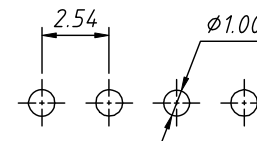
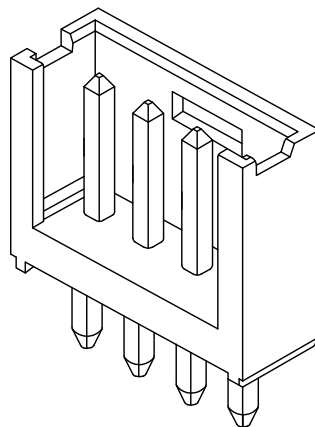
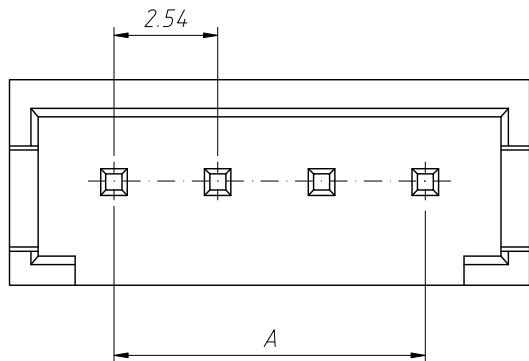
Electrical Characteristics:
 Rated Current: 3.0AMP
 Voltage rating: 250V AC, DC
 Temperature range: -45°C ~ + 105°C
 Insulator Resistance: 1000MΩ Min
 Withstanding Voltage: 1000V AC/minute
 Contact Resistance: 20mΩ Max

Order Information:
 L-KLS1-XL5-2.54-FT

L: RoHS
 Pitch: 2.54mm
 Type: MH / FH-Hosing MT / FT-Terminal
 S1 / S2-Straight male pin
 R1 / R2-Right angle male pin

ANGLE TOLERANCE	PROJECTION	Description:		
±3°		2.54mm Pitch Wire To Board Connector		
GENERAL TOLERANCE	UNITS	mm	KLS P/N:	L-KLS1-XL5-2.54-FT
x.x ±0.30	SHEET SIZE	A4		NingBo KLS ELECTRONIC CO.,L TD.
x.xx ±0.20	Draw:	Daniel	2021-01-11	
x.xxx ±0.10	Check:	Daniel	2021-01-11	

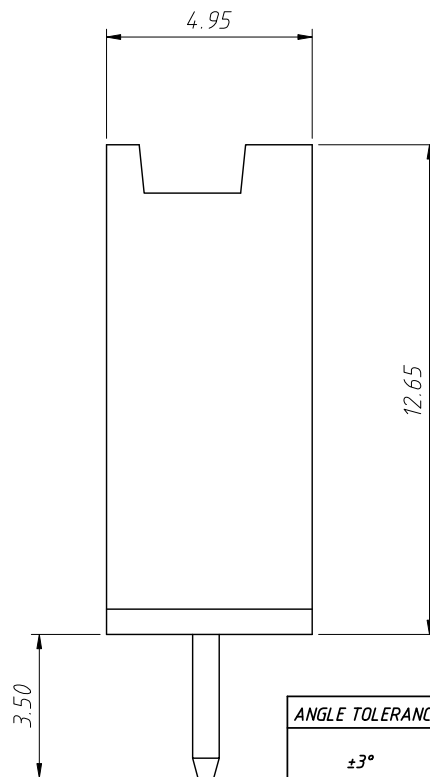
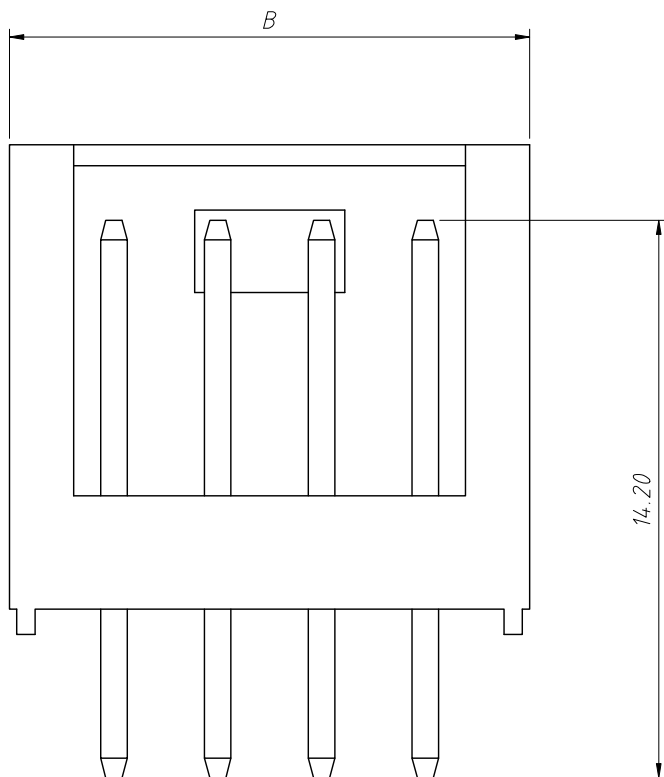
1 RoHS Compliance



PCB Layout

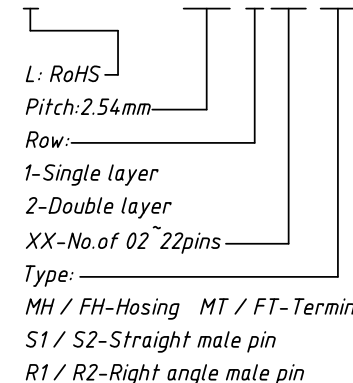
Material:
Housing:PBT,UL 94V-0,Black
Pin:Brass,Tin plated

Electrical Characteristics:
Rated Current:3.0AMP
Voltage rating:250V AC,DC
Temperature range:-45°C ~ + 105°C
Insulator Resistance:1000MΩ Min
Withstanding Voltage:1000V AC/minute
Contact Resistance:20mΩ Max



Pin	Dimensions(mm)	
	A	B
02	2.54	8.20
03	5.08	10.70
04	7.62	13.20
05	10.16	15.70
06	12.70	18.20
07	15.24	20.70
08	17.78	23.20
09	20.32	25.70
10	22.86	28.20
11	25.40	30.70
12	27.94	33.20
13	30.48	35.70
14	32.02	38.20
15	35.56	40.70
16	38.10	43.20
17	40.64	45.70
18	43.18	48.20
19	45.72	50.70
20	48.26	53.20
21	48.26	55.70
22	48.26	58.20

Order Information:
L-KLS1-XL5-2.54-1×XX-S1

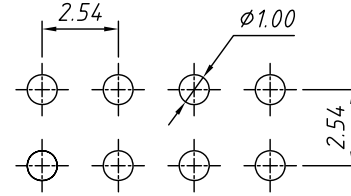
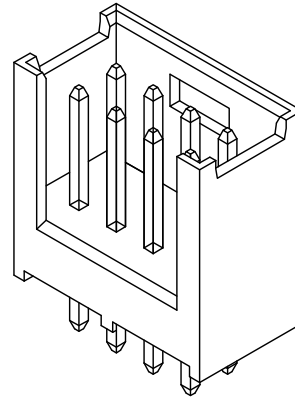
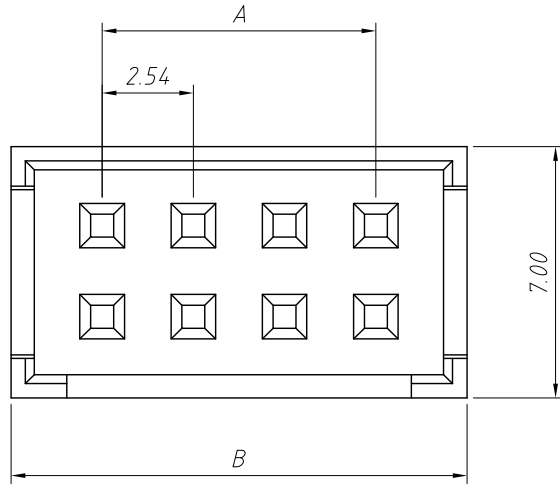


ANGLE TOLERANCE	PROJECTION	Description:
±3°		2.54mm Pitch Wire To Board Connector
GENERAL TOLERANCE	UNITS	mm
x.x ±0.30	SHEET SIZE	A4
x.xx ±0.20	Draw:	Daniel 2021-01-11
x.xxx ±0.10	Check:	Daniel 2021-01-11



NingBo KLS ELECTRONIC CO.,L TD.

1 RoHS Compliance



PCB Layout

Material:
Housing:PBT,UL 94 V-0,Black
Pin:Brass,Tin plated

Electrical Characteristics:
Rated Current:3.0AMP
Voltage rating:250V AC,DC
Temperature range:-45°C ~ +105°C
Insulator Resistance:1000M Ω Min
Withstanding Voltage:1000V AC/minute
Contact Resistance:20m Ω Max

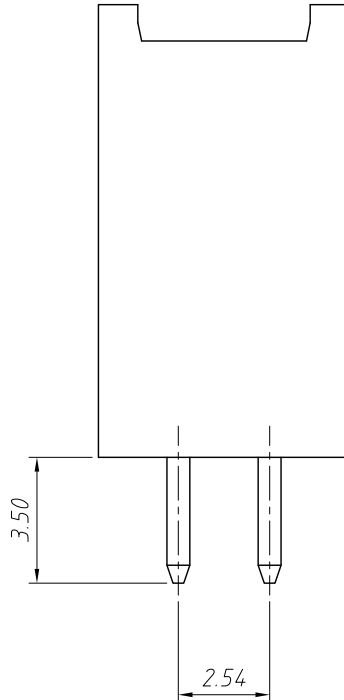
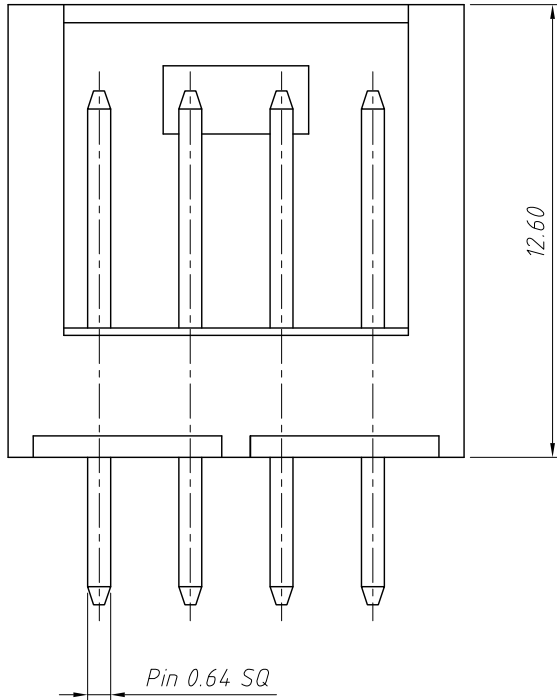
D

Pin	Dimensions(mm)	
	A	B
2x02	2.54	7.46
2x03	5.08	10.00
2x04	7.62	12.54
2x05	10.16	15.08
2x06	12.70	17.62
2x07	15.24	20.16
2x08	17.78	22.70
2x09	20.32	25.24
2x10	22.86	27.78
2x11	25.40	30.32
2x12	27.94	32.86
2x13	30.48	35.40
2x14	32.02	37.94
2x15	35.56	40.48
2x16	38.10	43.02
2x17	40.64	45.56
2x18	43.18	48.10
2x19	45.72	50.64
2x32	78.74	83.66

Order Information:
L-KLS1-XL5-2.54-2xXX-S1

L: RoHS
Pitch:2.54mm
Row:
1-Single layer
2-Double layer
XX-No. of 02~32pins
Type:
MH / FH-Hosing MT / FT-Terminal
S1 / S2-Straight male pin
R1 / R2-Right angle male pin

E



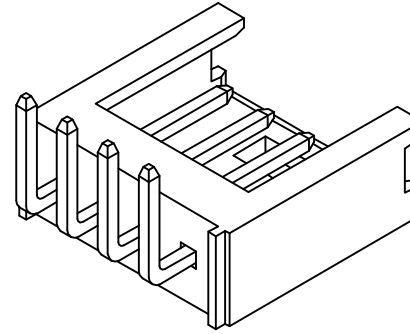
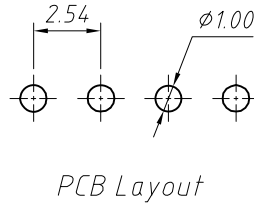
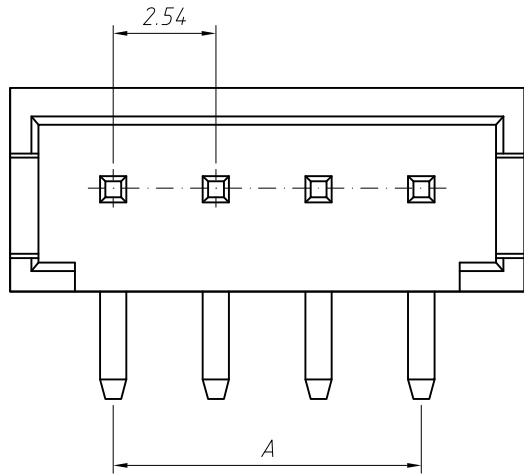
H

ANGLE TOLERANCE	PROJECTION	Description:
$\pm 3^\circ$		2.54mm Pitch Wire To Board Connector
GENERAL TOLERANCE	UNITS	mm
x.x ± 0.30	SHEET SIZE	A4
x.xx ± 0.20	Draw:	Daniel 2021-01-11
x.xxx ± 0.10	Check:	Daniel 2021-01-11



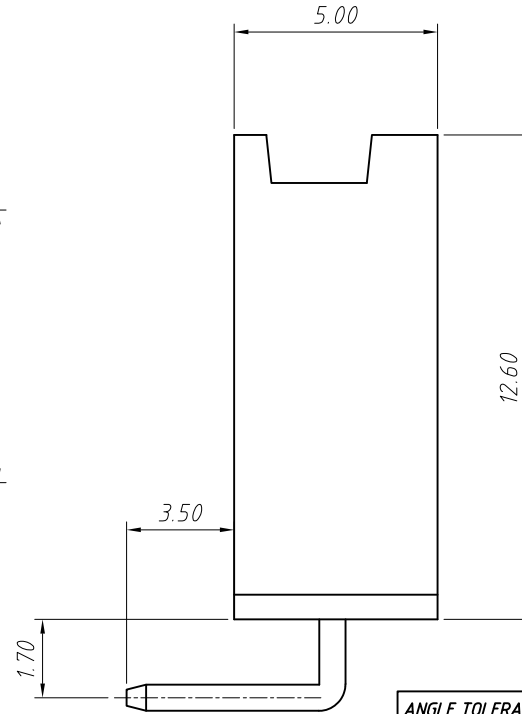
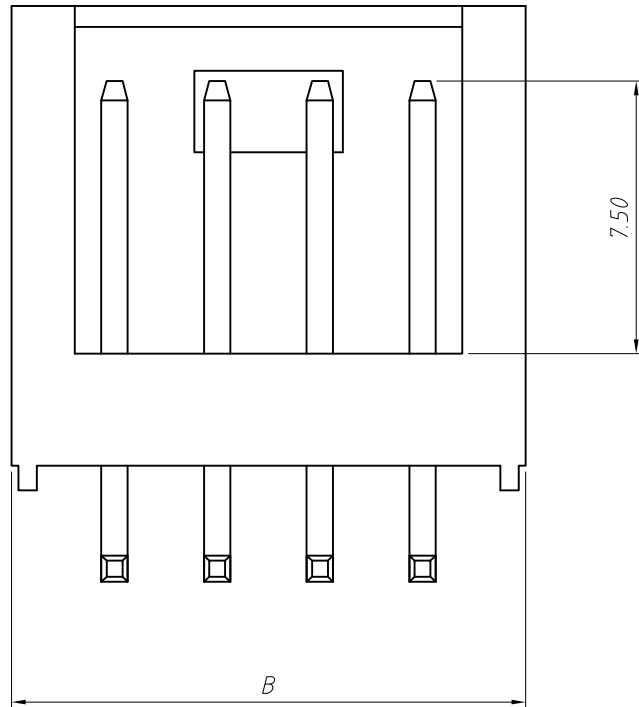
NingBo KLS ELECTRONIC CO.,L TD.

RoHS Compliance



Material:
 Housing: PBT, UL 94 V-0, Black
 Pin: Brass, Tin plated

Electrical Characteristics:
 Rated Current: 3.0AMP
 Voltage rating: 250V AC, DC
 Temperature range: -45°C ~ +105°C
 Insulator Resistance: 1000MΩ Min
 Withstanding Voltage: 1000V AC/minute
 Contact Resistance: 20mΩ Max



Pin	Dimensions(mm)	
	A	B
02	2.54	8.20
03	5.08	10.70
04	7.62	13.20
05	10.16	15.70
06	12.70	18.20
07	15.24	20.70
08	17.78	23.20
09	20.32	25.70
10	22.86	28.20
11	25.40	30.70
12	27.94	33.20
13	30.48	35.70
14	32.02	38.20
15	35.56	40.70
16	38.10	43.20
17	40.64	45.70
18	43.18	48.20
19	45.72	50.70
20	48.26	53.20
21	48.26	55.70
22	48.26	58.20

Order Information:
 L-KLS1-XL5-2.54-1×XX-R1

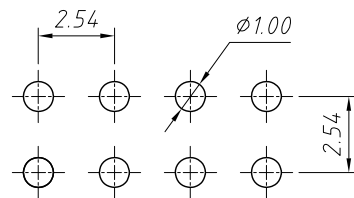
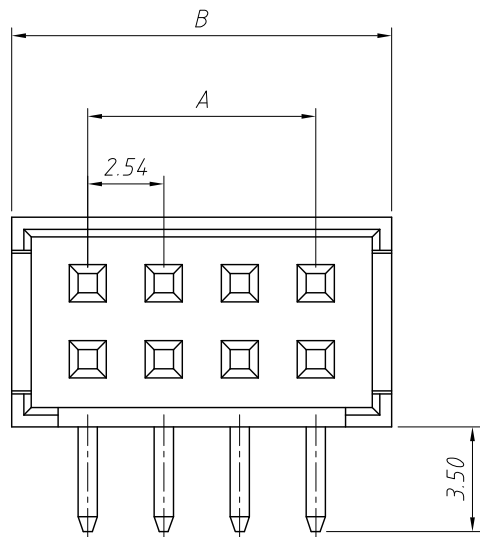
L: RoHS
 Pitch: 2.54mm
 Row:
 1-Single layer
 2-Double layer
 XX-No. of 02~22pins
 Type:
 MH / FH-Hosing MT / FT-Terminal
 S1 / S2-Straight male pin
 R1 / R2-Right angle male pin

ANGLE TOLERANCE	PROJECTION	Description:
±3°		2.54mm Pitch Wire To Board Connector
GENERAL TOLERANCE	UNITS	mm
x.x ±0.30	SHEET SIZE	A4
x.xx ±0.20	Draw:	Daniel 2021-01-11
x.xxx ±0.10	Check:	Daniel 2021-01-11



NingBo KLS ELECTRONIC CO.,LTD.

1 RoHS Compliance

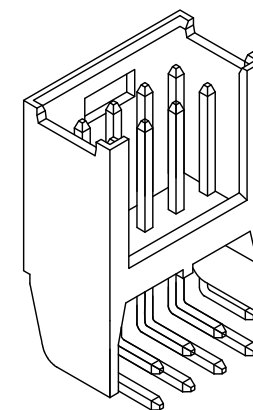
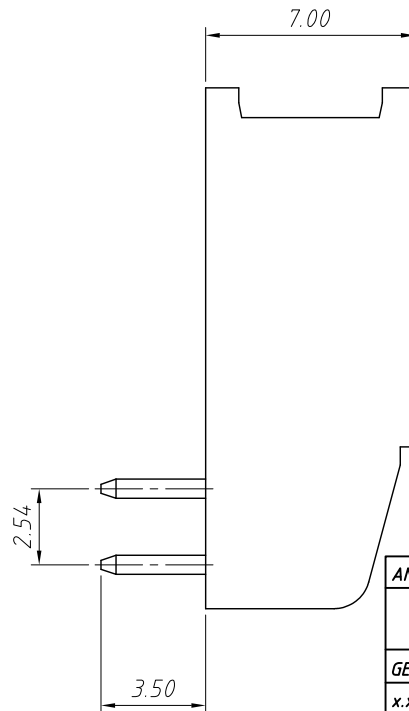
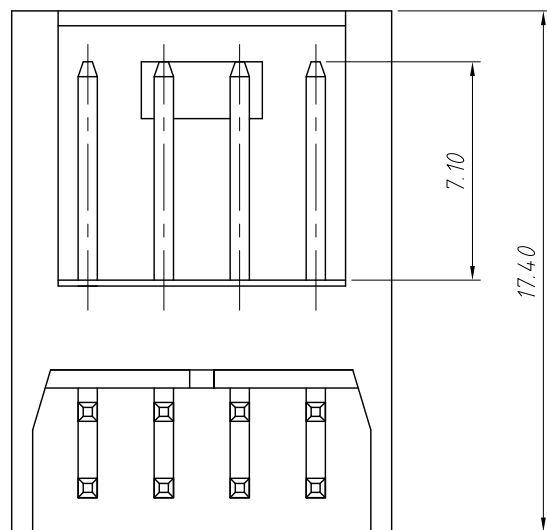


PCB Layout

Pin	Dimensions(mm)		Pin	Dimensions(mm)	
	A	B		A	B
2x02	2.54	7.46	2x18	43.18	48.10
2x03	5.08	10.00	2x19	45.72	50.64
2x04	7.62	12.54	2x20	48.26	53.18
2x05	10.16	15.08	2x21	50.80	55.72
2x06	12.70	17.62	2x22	53.34	58.26
2x07	15.24	20.16	2x23	55.88	60.80
2x08	17.78	22.70	2x24	58.42	63.34
2x09	20.32	25.24	2x25	60.96	65.88
2x10	22.86	27.78	2x26	63.50	68.42
2x11	25.40	30.32	2x27	66.04	70.96
2x12	27.94	32.86	2x28	68.58	73.50
2x13	30.48	35.40	2x29	71.12	76.04
2x14	32.02	37.94	2x30	73.66	78.58
2x15	35.56	40.48	2x31	76.20	81.12
2x16	38.10	43.02	2x32	78.74	83.66
2x17	40.64	45.56			

Material:
Housing: PBT, UL 94 V-0, Black
Pin: Brass, Tin plated

Electrical Characteristics:
Rated Current: 3.0AMP
Voltage rating: 250V AC, DC
Temperature range: -45°C ~ + 105°C
Insulator Resistance: 1000MΩ Min
Withstanding Voltage: 1000V AC/minute
Contact Resistance: 20mΩ Max



Order Information:
L-KLS1-XL5-2.54-2×XX-R1

L: RoHS
Pitch: 2.54mm
Row:
1-Single layer
2-Double layer
XX-No. of 02~32pins
Type:
MH / FH-Hosing MT / FT-Terminal
S1 / S2-Straight male pin
R1 / R2-Right angle male pin

ANGLE TOLERANCE	PROJECTION	Description:
±3°		2.54mm Pitch Wire To Board Connector
GENERAL TOLERANCE	UNITS	mm
x.x ±0.30	SHEET SIZE	A4
x.xx ±0.20	Draw:	Daniel 2021-01-11
x.xxx ±0.10	Check:	Daniel 2021-01-11

L-KLS1-XL5-2.54-2×XX-R1

NingBo KLS ELECTRONIC CO.,L TD.