

Transmittal, reproduction, dissemination and/or editing of this document as well as utilization of its contents and communication thereof to others without express authorization are prohibited.  
未经允许禁止传输、复制、编辑该文档，以及利用其内容进行交流

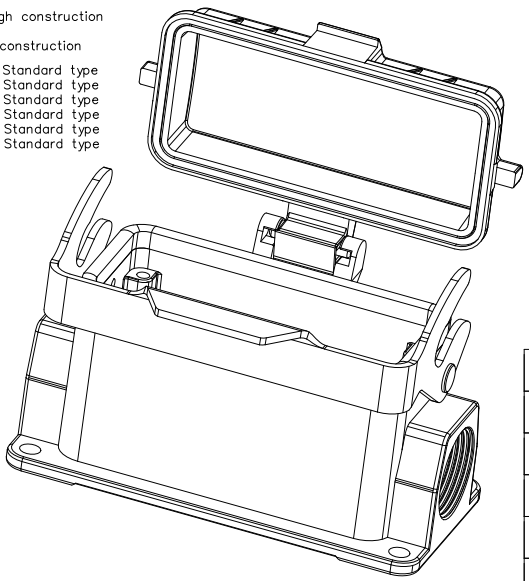
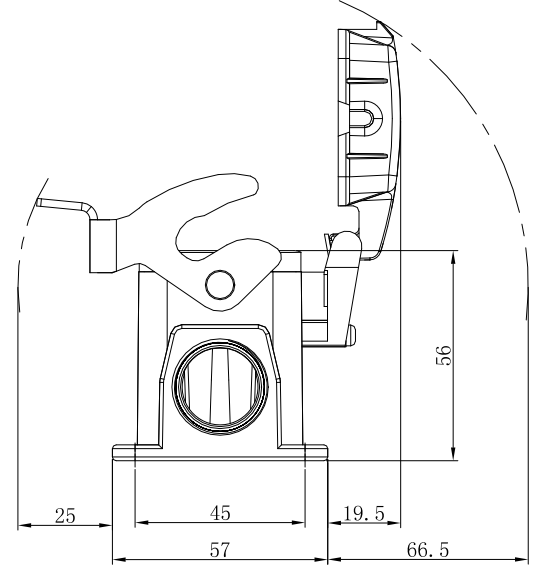
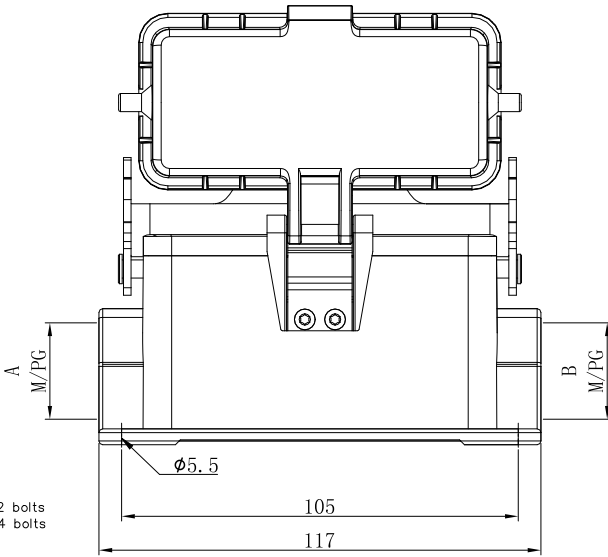
| REVISION RECORD |    |             |      |      |
|-----------------|----|-------------|------|------|
| REV             | CN | DESCRIPTION | DRFT | DATE |
|                 |    |             |      |      |

General information:  
 1.Material: Aluminium die-cast  
 2.Material, cover: Aluminium die-cast  
 3.Colour: Grey  
 4.Surface: Powder-coated  
 5.Operating temperature: -40°C~+125°C  
 6.Degree of protection acc.to DIN EN60529 for coupled connector: IP65  
 7.Outgoing direction: Side outgoing line  
 8.Locking element:  
 Locking type: Single locking latch  
 Material: Metal galvanized/nickel plating  
 9.Thread size: M/PG  
 10.Hoods&Housings seal: NBR  
 11.Undimensioned Tolerances:

| Pitch | Range In |    | Nominal Dimension | Range |     | Tolerance                                 |
|-------|----------|----|-------------------|-------|-----|---|
|       | To       | mm |                   | To    | mm  |   |
| 6     | 6        | 24 | 30                | 50    | 150 | ±0.1/0                                    |
| 8     | 8        | 30 | 60                | 100   | 150 | ±0.15/±0.20/±0.30/±0.50/±0.70/±1.00/±1.30 |

HOW TO ORDER:

- S24B-BM-1L.M
- Locking lever — 1L: 1 levers(plastic) 2B: 2 bolts  
2L: 2 levers(plastic) 4B: 4 bolts  
1L.M: 1 levers(Metal)  
2L.M: 2 levers(Metal)
  - Housing type — SE: Side entry  
SEH: Side entry—high construction  
TE: Top entry  
TEH: Top entry—high construction  
BM: Bulkhead mounted  
SM: Surface mounted  
SMH: Surface mounted—high construction  
CC: Cable to cable  
CCH: Cable to cable high construction
  - Serieis — S3A: 3A Compact type S6B: 6B Standard type  
S10A: 10A Compact type S10B: 10B Standard type  
S16A: 16A Compact type S16B: 16B Standard type  
S32A: 32A Compact type S24B: S24B Standard type  
S32B: S32B Standard type  
S48B: S48B Standard type



| Order number           | A       | B       |
|------------------------|---------|---------|
| S24B-SM-1L. M-M25-MC   | M25×1.5 | /       |
| S24B-SM-1L. M-2M25-MC  | M25×1.5 | M25×1.5 |
| S24B-SM-1L. M-PG21-MC  | PG21    | /       |
| S24B-SM-1L. M-2PG21-MC | PG21    | PG21    |

|                  |                      |            |                   |  |                        |                   |               |             |
|------------------|----------------------|------------|-------------------|--|------------------------|-------------------|---------------|-------------|
| 订货号<br>Order No. | S24B-SM-1L. M-XXX-MC |            | 名称<br>Name        | S24B表面安装金属单扣底座-XXX-金属盖子                        |                        | 未注公差<br>Tolerance | 表面<br>Surface |             |
| 项目<br>Item       | 签字<br>Signature      | 日期<br>Date | 图号<br>Drawing No. | /  | 版本号<br>Revision Number | 重量<br>Weight      |               | 比例<br>Scale |
| 设计<br>Design     | CHH                  | 2024.07.17 | 材料<br>Material    | /  | MO                     | /                 | 1:1           |             |
| 审核<br>Check      | CHH                  | 2024.07.17 | 物料号<br>Item No.   | /  | 第1页/共1页 1 of 1         |                   | mm            |             |
| 工艺<br>Process    | -                    | -          | ...               | 宁波盛普电子有限公司<br>NINGBO SUPU ELECTRONICS CO.,LTD. |                        |                   |               |             |
| 标准化<br>Unify     | -                    | -          | /                 |  |                        |                   |               |             |
| 批准<br>Approve    | XJ                   | 2024.07.17 | /                 |  |                        |                   |               |             |

借通用件登记  
Common Part

原图号  
Old Draw. No.

底图总号  
Assembly No.