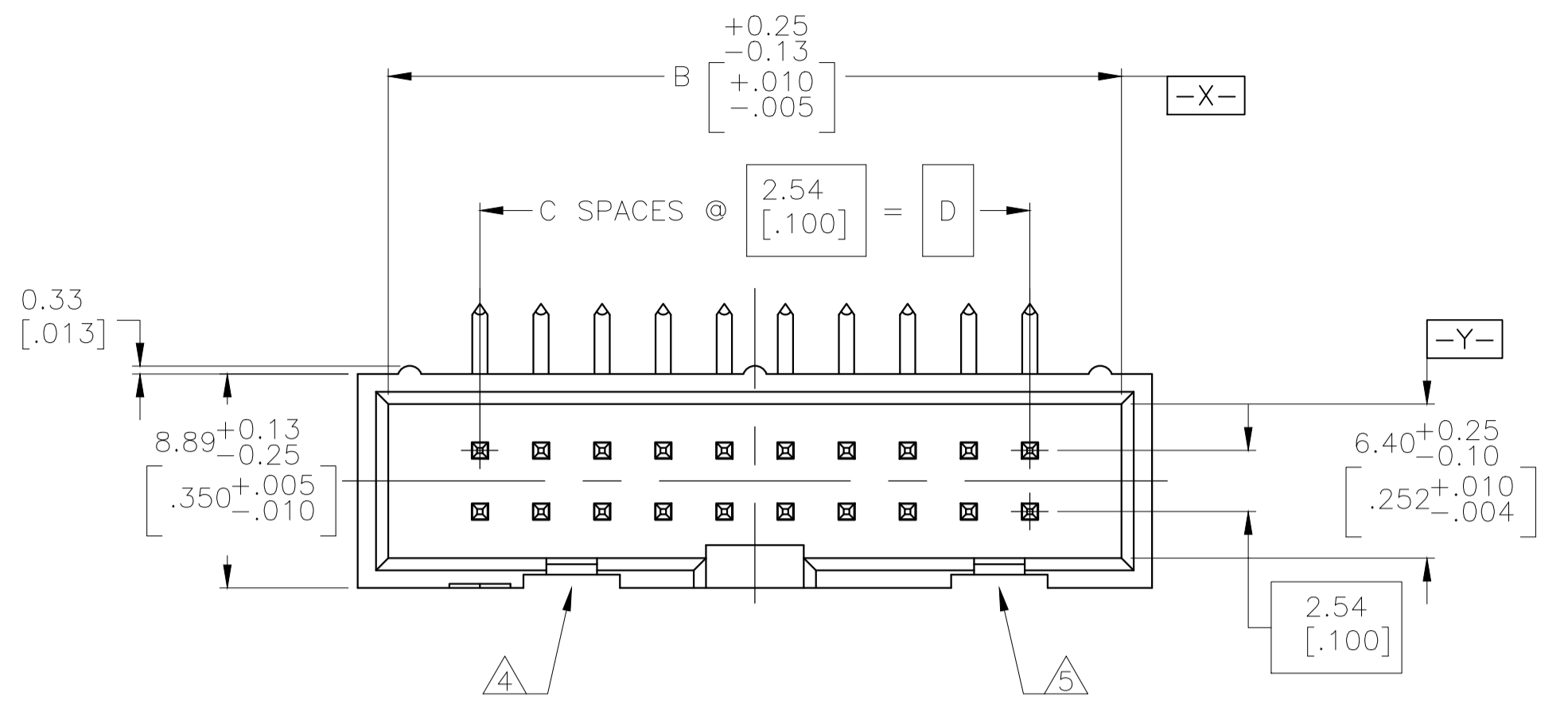
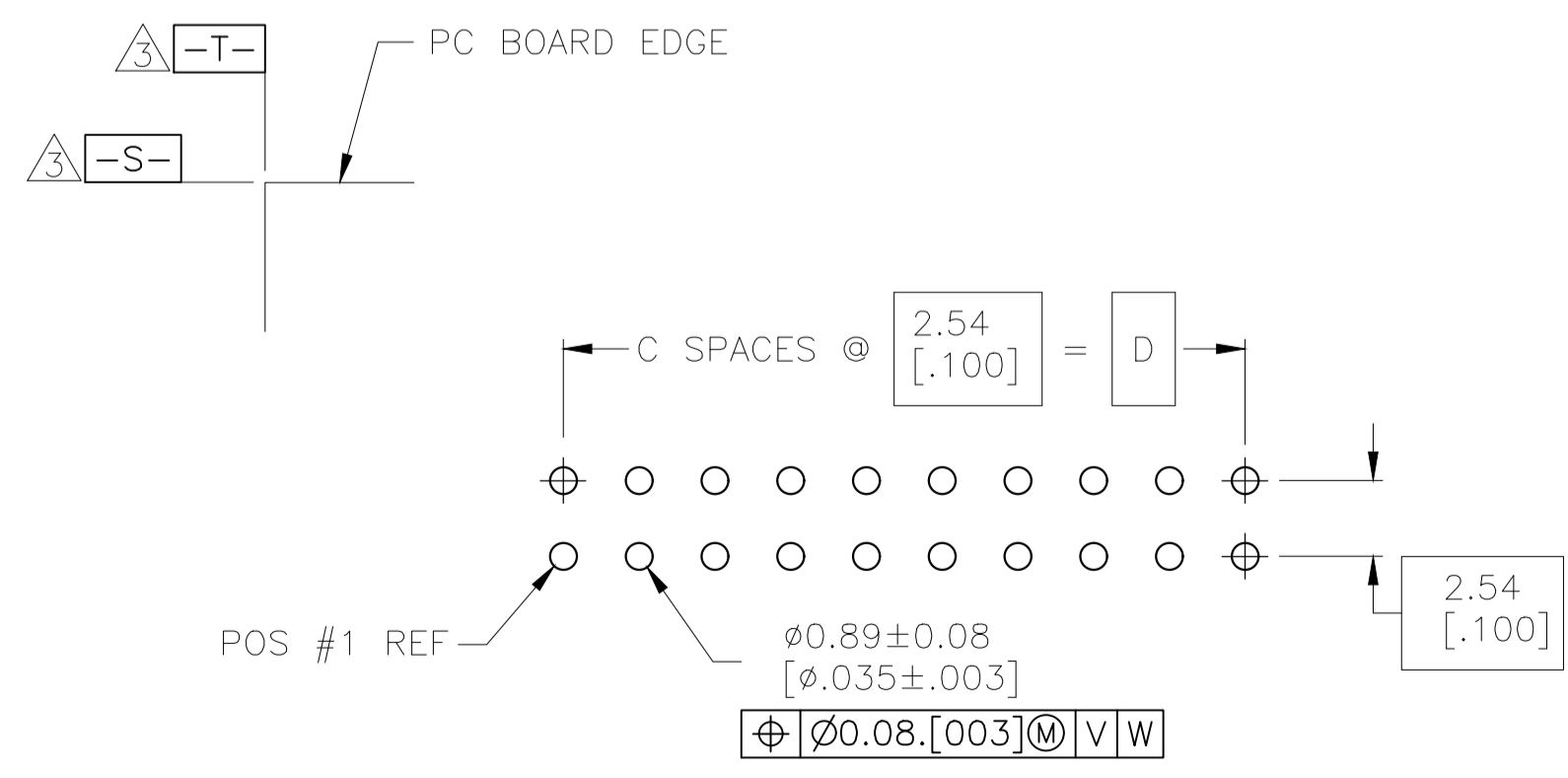
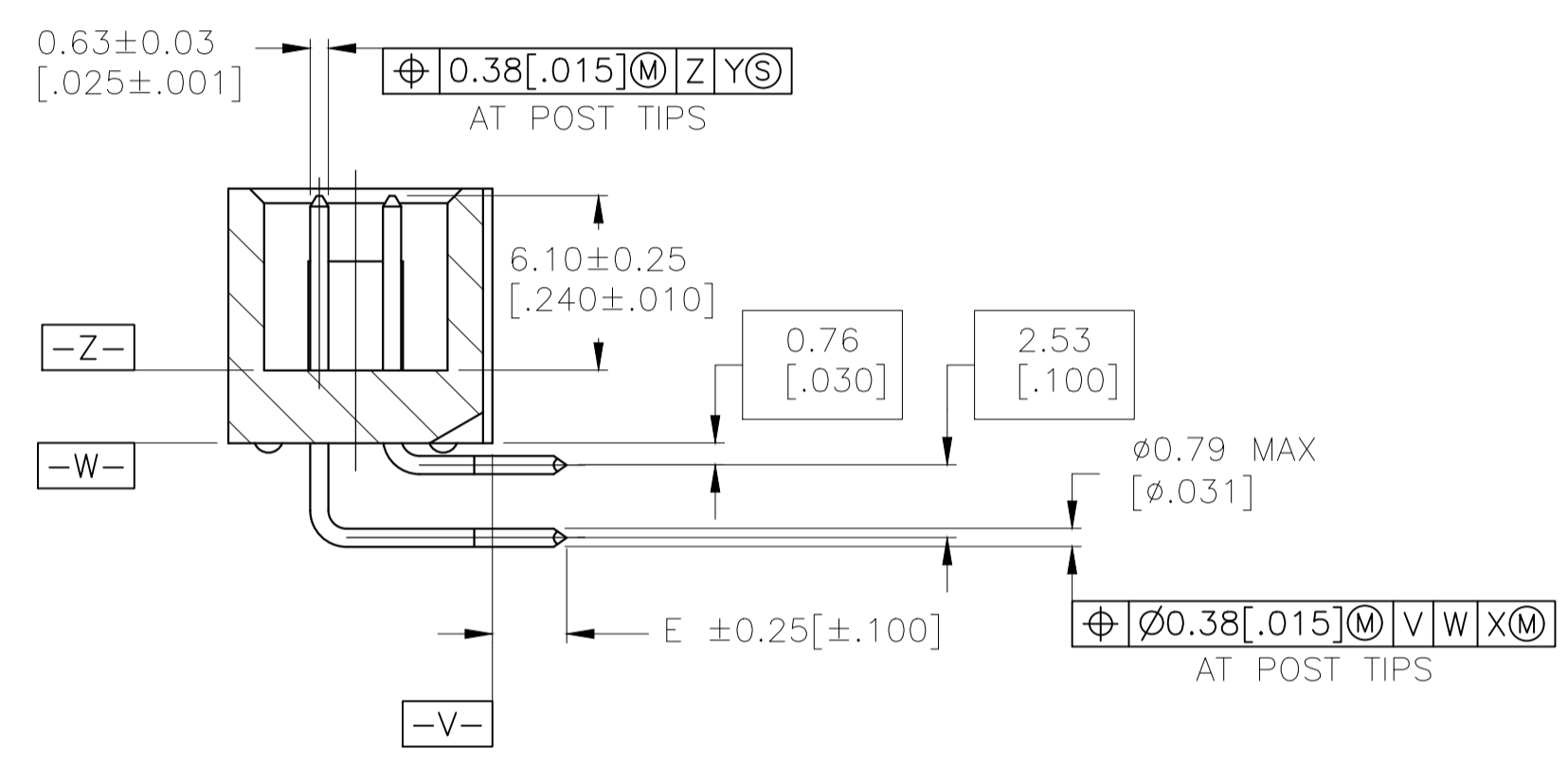
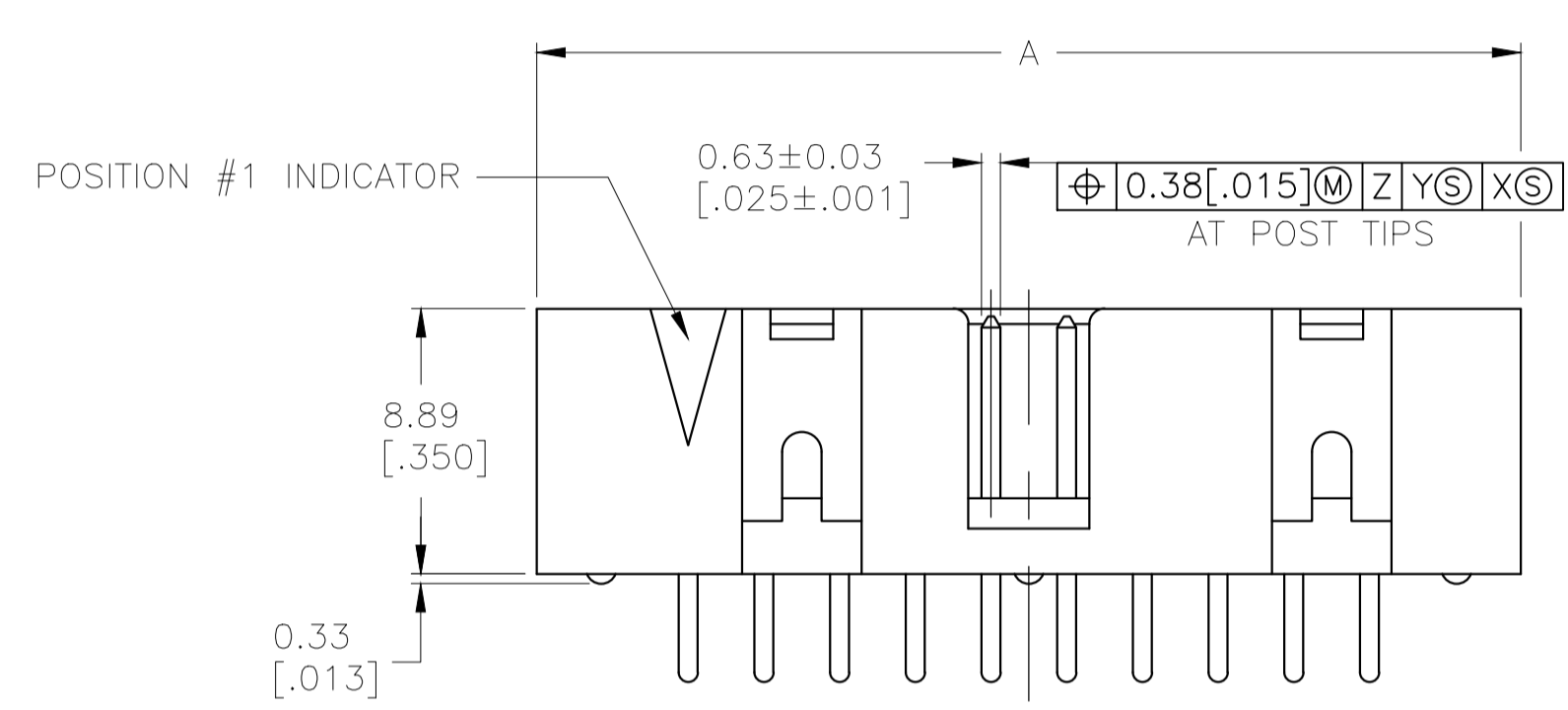


REVISIONS				
P	LTR	DESCRIPTION	DATE	APP'D
H1		REVISED PER ECR-19-004613	20MAR2019	K.G W.H



- △ HOUSING: PBT, UL94V-0, COLOR (SEE TABLE).
- △ POSTS: PHOSPHOR BRONZE.
- △ POSTS: 0.00076[.000030] MIN GOLD ON MATING AREA, 0.00254[.000100] MIN TIN ON SOLDER END, ALL OVER 0.00127[.000050] MIN NICKEL ON ENTIRE POST.
- △ DATUMS S & T TO BE ESTABLISHED BY CUSTOMER.
- △ NO KEYING SLOT ON THIS END FOR 6, 10, 12 & 14 POSITION ASSEMBLIES.
- △ NO KEYING SLOT ON THIS END FOR 6 & 10 POSITION ASSEMBLIES.



RECOMMENDED PC BOARD LAYOUT (VIEWED FROM CONNECTOR SIDE)

	4.06 [.160]	BLUE	10.16 [.400]	4	17.78 [.700]	20.32 [.800]	10	4-1761605-0
		BLUE	78.74 [3.400]	31	86.36 [3.400]	88.90 [3.500]	64	3-1761605-7
		BLUE	60.96 [2.400]	24	68.58 [2.700]	71.12 [2.800]	50	3-1761605-5
		BLUE	53.34 [2.100]	21	60.96 [2.400]	63.50 [2.500]	44	3-1761605-4
		BLUE	48.26 [1.900]	19	55.88 [2.200]	58.42 [2.300]	40	3-1761605-3
		BLUE	43.18 [1.700]	17	50.80 [2.000]	53.34 [2.100]	36	3-1761605-2
		BLUE	40.64 [1.600]	16	48.26 [1.900]	50.80 [2.000]	34	3-1761605-1
		BLUE	35.56 [1.400]	14	43.18 [1.700]	45.72 [1.800]	30	3-1761605-0
		BLUE	30.48 [1.200]	12	38.10 [1.500]	40.64 [1.600]	26	2-1761605-9
		BLUE	27.94 [1.100]	11	35.56 [1.400]	38.10 [1.500]	24	2-1761605-8
		BLUE	22.86 [.900]	9	30.48 [1.200]	33.02 [1.300]	20	2-1761605-7
		BLUE	17.78 [.700]	7	25.40 [1.000]	27.94 [1.100]	16	2-1761605-6
		BLUE	15.24 [.600]	6	22.86 [.900]	25.40 [1.000]	14	2-1761605-5
		BLUE	12.70 [.500]	5	20.32 [.800]	22.86 [.900]	12	2-1761605-4
		BLUE	10.16 [.400]	4	17.78 [.700]	20.32 [.800]	10	2-1761605-3
	2.59 [.102]	BLUE	5.08 [.200]	2	12.70 [.500]	15.24 [.600]	6	2-1761605-1
OBSOLETE		BLACK	73.66 [2.900]	29	81.28 [3.200]	83.82 [3.300]	60	1-1761605-6
OBSOLETE		BLACK	60.96 [2.400]	24	68.58 [2.700]	71.12 [2.800]	50	1-1761605-5
OBSOLETE		BLACK	53.34 [2.100]	21	60.96 [2.400]	63.50 [2.500]	44	1-1761605-4
OBSOLETE		BLACK	48.26 [1.900]	19	55.88 [2.200]	58.42 [2.300]	40	1-1761605-3
OBSOLETE		BLACK	40.64 [1.600]	16	48.26 [1.900]	50.80 [2.000]	34	1-1761605-1
OBSOLETE		BLACK	35.56 [1.400]	14	43.18 [1.700]	45.72 [1.800]	30	1-1761605-0
OBSOLETE		BLACK	30.48 [1.200]	12	38.10 [1.500]	40.64 [1.600]	26	1761605-9
OBSOLETE		BLACK	22.86 [.900]	9	30.48 [1.200]	33.02 [1.300]	20	1761605-7
OBSOLETE		BLACK	17.78 [.700]	7	25.40 [1.000]	27.94 [1.100]	16	1761605-6
OBSOLETE		BLACK	15.24 [.600]	6	22.86 [.900]	25.40 [1.000]	14	1761605-5
OBSOLETE		BLACK	10.16 [.400]	4	17.78 [.700]	20.32 [.800]	10	1761605-3
E	HOUSING COLOR	D	C	B	A	NO OF POS	PART NUMBER	

THIS DRAWING IS A CONTROLLED DOCUMENT.

DIMENSIONS: mm [INCHES]	TOLERANCES UNLESS OTHERWISE SPECIFIED:	0 PLC ± -	1 PLC ± -	2 PLC ± -	3 PLC ± 0.13[.005]	4 PLC ± -	ANGLES ± -
-------------------------	--	-----------	-----------	-----------	--------------------	-----------	------------

MATERIAL: △ FINISH: △

DESIGNED BY: J. GERACE	DATE: 11 FEB 05	 TE Connectivity
CHK: S. BOLASH	DATE: 11 FEB 05	
APPROVED BY: M. WALMSLEY	DATE: 11 FEB 05	NAME: _____
PRODUCT SPEC: _____	APPLICATION SPEC: _____	SIZE: _____
WEIGHT: 0.000000	A1 00779	DRAWING NO: 1761605
CUSTOMER DRAWING	SCALE: 4:1	SHEET 1 OF 1

COPYRIGHT 2005
TE CONNECTIVITY CORP
ALL RIGHTS RESERVED