

## Data sheet

Commercial Art.No.: 92.238.8004.1

Cable assembly GST18i3K1-S 25 80SW

GST18i3 extension cable male - free end, length 8.0 m, 3 pole, coding mains 250 V, 20 A, coding color black, strain relief color black, cable color black, cross section 2.5 mm<sup>2</sup>, cable type H05VV-F, fire class: Eca



Commercial Art.No.	92.238.8004.1
EAN	4015573370319
Order Unit	1

Certificates / Approvals



## Technical data

### General

Rated current	20 A
Rated voltage	250 V
Rated impulse voltage	4 kV
Pollution degree	2
Mechanical coding	Code 1
Lockable	self-locking (unlocking by tool)
Color of coding/ contact carrier	black
Marking of poles	L, N, PE
Color of housing inclusive strain relief	black

### Model

Nominal cross section conductor	2.5 mm <sup>2</sup>
Degree of protection (IP)	IP20
Wire strip length	9 mm
sheath strip length	37 mm
Preparation of conductor ends	ultrasonically compressed wire ends
Cable type	H05VV-F
Cable color	black
Cable diameter max.	10.2 mm
Version of cable	male - free end
Type of cord set	connection cable
Version cable end 1	free end

Version cable end 2	GST18i3 plug
---------------------	--------------

### Material

Surface finish	Tin-plated
halogen free	No
Continuous temperature of cable	70 °C
Insulation components continuous temperature	100 °C
Fire load	4.655 kWh
Fire class	Eca

### Dimensions

Total length	8 m
--------------	-----

### Classification

ECLASS 11	
ECLASS 8.1	27440604
ETIM 7.0	EC002587
ETIM 6.0	EC002587
ETIM 5.0	EC002587
ETIM 4.0	EC002587

### Product compliance

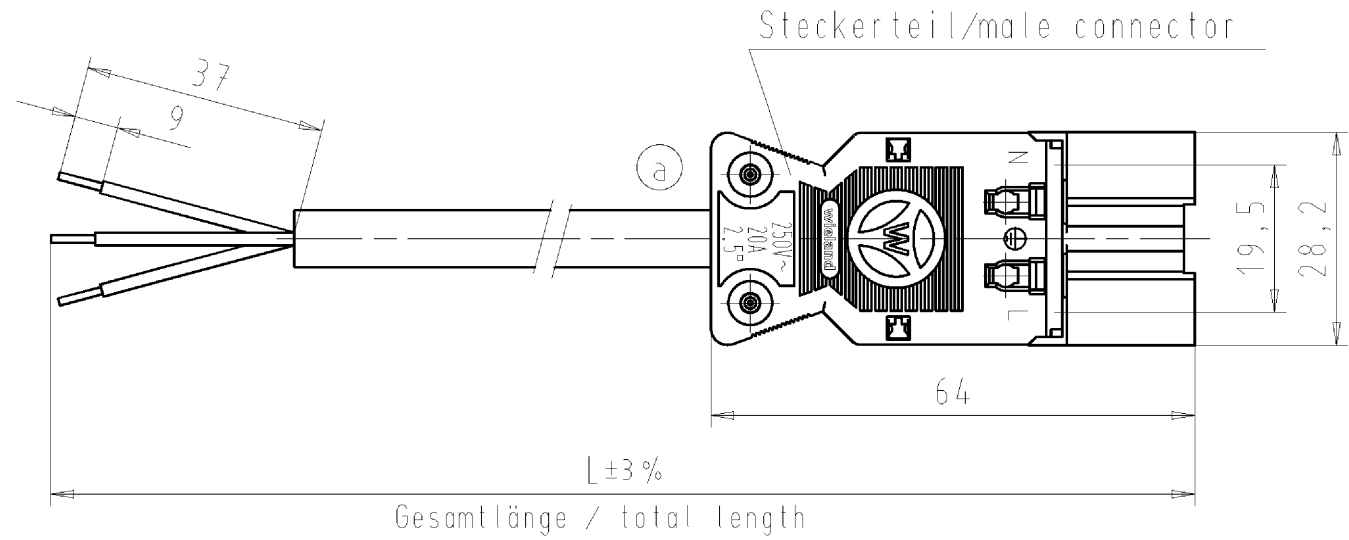
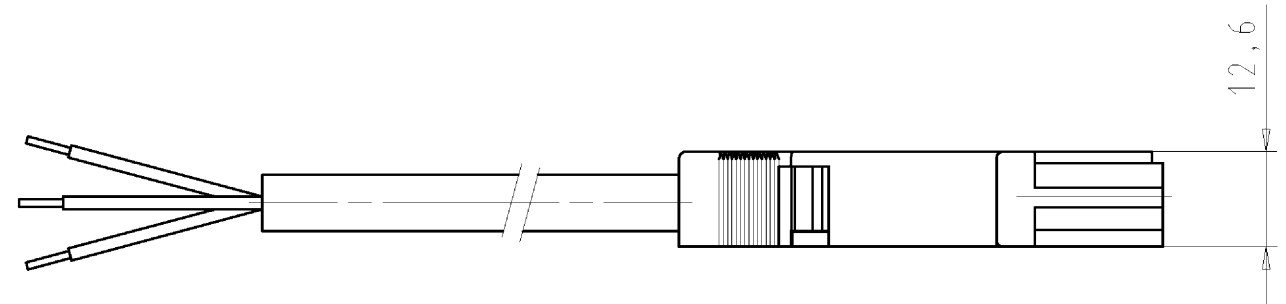
ROHS conformity status	Compliant/Exempted
ROHS exceptions	III-6(c)
REACH-SVHC conformity status	Duty-To-Declare
REACH-SVHC substances	Lead
REACH-SVHC CAS numbers	7439-92-1

### Accessories

Commercial Art.No.:	Article-type description:	Description:
05.587.3156.0	Lock (G)ST18 WS	Locking device for cable to cable connection GST18i3-5, white
06.561.7853.0	mounting frame GST18i3 SW	Mounting frame to snap in GST18i3 connectors into a housing or furniture. Wall thickness: 1,5-2,5 mm. Holds GST18i3 connectors with screw or spring connection and pre- assembled cables.
05.561.3653.0	cover cap GST18i3VS B WS	Cover piece for female GST18i3, white
05.561.3653.1	cover cap GST18i3VS B SW	Cover piece for female GST18i3, black
05.564.5353.0	cover cap GST18i3/4/5 SW	Cover piece 12 pole black for female parts GST18i3-6
05.564.5353.2	cover cap GST18i3/4/5 WS	Cover piece 12 pole white for female parts GST18i3-6
05.594.4250.0	cover cap ST18/3B + GST18i3 ST WS	
05.594.4253.0	cover cap ST18/3B + GST18i3 ST WS	
05.587.3156.1	Lock (G)ST18 SW	Locking device for cable to cable connection GST18i3-5, black
06.560.0300.0	mounting part GST18i3 SW	Lock system to provide accidental disconnection of "flying donnections" and to fix these connections to cable ladders or cable trays. Reduction of shearing forces on the strain reliefs Colour: black

These dimensions will be especially checked at delivery  
Only inspection dimensions  
With /E marked dimensions are only valid for internal use

Diese Maße werden bei Abnahme besonders geprüft  
Ausschließlich Prüfmaße  
Mit /E gekennzeichnete Maße sind nur für interne Zwecke gültig



Kabel/cable H05VV-F3G2,5  
Farbe/colour: siehe Tabelle/see table

.F	Farbe colour	Codierung "X" Stecker male	Kabelfarbe cable colour
.1	schwarz black	L PE N	schwarz black
.2	weiß white		weiß white
.3	grau grey	L PE N	schwarz black
.5	rot red	L PE N	schwarz black

Weitergabe sowie Vervielfältigung dieses Dokuments, Verwertung und seine Inhalte sind verboten, soweit nicht ausdrücklich gestattet. The reproduction, distribution and utilization of this document as well as the communication of its contents to others without express authorization is prohibited.

Teile-Nr. part-no.	L	Beispiel (Farbe: schwarz) example (colour: black)	Typ type
92.238.XX04.F	XX in dm-Schritten	92.238.1004.1 = 10dm/L= 1000mm	GST1813K1-S 25 10SW
U2.238.XX04.F	XX in m-Schritten	U2.238.1204.1 = 12 m/L=12000mm	GST1813K1-S 25 X12SW

Typ/type: GST1813K1-S 25 ..  
 SW = schwarz/black  
 WS = weiß/white  
 GR01 = grau/grey  
 RT03 = rot/red

Weitere Daten siehe Katalog  
further data see catalog

Tolerierung Size ISO 14405/Tolerance system Size ISO 14405. (This ISO-standard describes the envelope principle. According to the envelope principle the deviations of form and parallelism are limited by the size tolerances).		ja/yes <input checked="" type="checkbox"/> Stoffverbots- und Deklarationsliste nach UU-TOM-05/03 ist einzuhalten. Conformity with Wieland document UU-TOM-05/03 (list of prohibited / declarable hazardous substances) to be declared!	
Freitoleranz nach - General tolerance		CAD - Zeichnung, keine manuellen Änderungen CAD - drawing, no manual modifications allowed	1. Verwendung: - First Use:
Blatt: 1 von 1 Sheet: of 1		Zeichnung Nr./Drawing No. Index	
Werkstoff/Material		2006 Tag/Date Name	T 92.238.0204.1 01K a
Maßstab/Scale		gezeichnet/drawn 02.02. Dütsch T. geprüft/checked - - Normgepr. Stand. check - -	
Vol. mm <sup>3</sup> Ofl./Surf. mm <sup>2</sup>		Ersatz für/Replacement for: -	
a 15.11.2012/ Index Datum / Blatt Date / Sheet		Type Benennung/Tittle	
Änderung/Revision		PRE-ASSEMBLED CABLE KONFEKT_LEITUNG Stecker/male-freies Ende/free end Crimpversion K1 a 250V AC 20A 2,5qmm	



922380204101K\_2 CADW2037.dwg 2012-11-15 10:57:19 1:000