

Data sheet

Commercial Art.No.: Z5.503.2821.0

cable screw gland M25 MS 12 10,0-14,0

Cable gland IP 68 metal M25x1,5, clamping range 10-14 mm, gland with long thread



Commercial Art.No.	Z5.503.2821.0
EAN	4049088385940
Order Unit	25

Technical data

general

thread size M	25
thread length	12 mm
min. cable diameter	10 mm
max. cable diameter	14 mm
Degree of protection (IP)	IP68
material	brass
color	other
shock resistant	yes
bend radius protection/trumpet flare	no
cross bracket strain relief	no
type of sealing	rubber-/neoprene ring
separable screw gland	no
multi seal area	no
thread type	metric
halogen free	yes
inflammability class of insulation material acc. with UL94	other

classification

ECLASS 11	
ECLASS 8.1	27149109
ETIM 9.0	EC000441
ETIM 8.0	EC000441
ETIM 7.0	EC000441
ETIM 6.0	EC000441
ETIM 5.0	EC000441

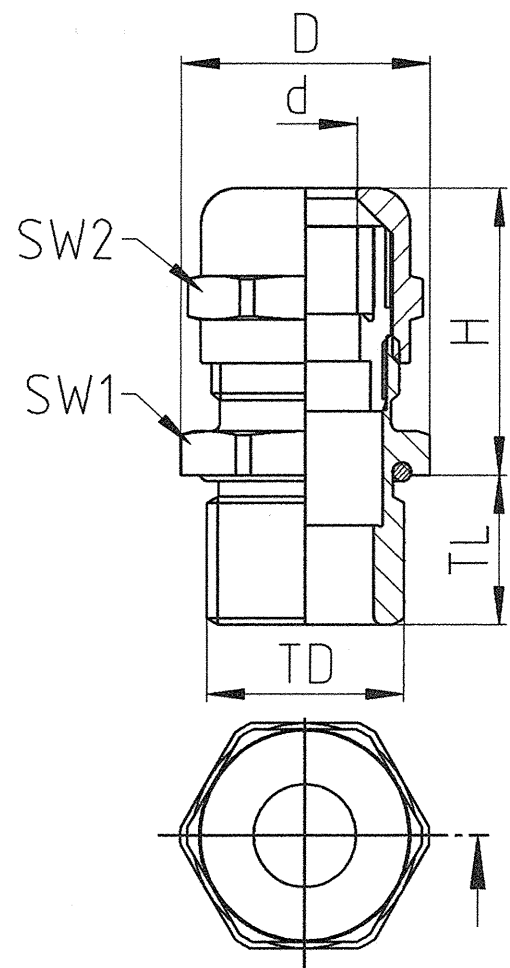
ETIM 4.0	EC000441
----------	----------

product compliance

ROHS conformity status	compliant/exempted
ROHS exceptions	III-6(c)
REACH-SVHC conformity status	Duty-To-Declare
REACH-SVHC substances	Lead
REACH-SVHC CAS numbers	7439-92-1

A These dimensions will be especially checked at delivery
 B Only inspection dimensions
 C These dimensions will be especially checked at delivery
 D Only inspection dimensions

○ Diese Maße werden bei Abnahme besonders geprüft
 □ Ausschließlich Prüfmaße
 ○ Mit JE gekennzeichnete Maße sind nur für interne Zwecke gültig

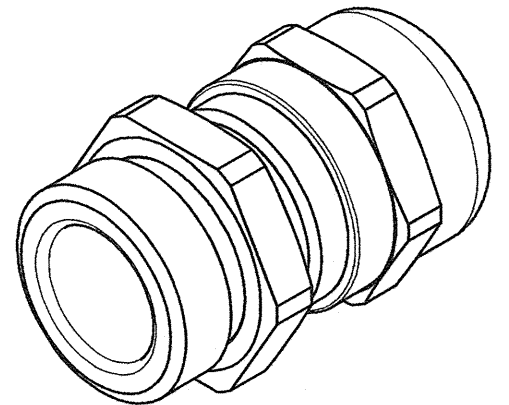


Wieland Teilenummer part number	Gewinde Verschraubung thread type of fitting	Gewinde Schraubkappe thread type of cap	Klemmbereich clamping range Ø min-max mm	Gewinde-Ø thread-Ø TD mm	Gewindelänge thread length TL mm	Höhe ohne Gew.länge height without thread H mm	Verschraubung fitting SW1 mm	Schraubkappe cap SW2 mm	Außen-Ø outer-Ø D mm max.	Innen-Ø inner-Ø
Z5.503.2121.0	M16	PG 9	4,0-8,0	16,0	7,0	23,0	18,0	17,0	20,0	Ø12,4
Z5.503.2221.0	M16	PG 9	4,0-8,0	16,0	12,0	23,0	18,0	17,0	20,0	Ø12,4
Z5.503.2421.0	M20	PG 13,5	6,0-12,0	20,0	12,0	24,5	22,0	22,0	24,5	Ø17,4
Z5.503.2721.0	M25	PG 16	10,0-14,0	25,0	8,0	28,0	27,0	24,0	29,8	Ø14,4
Z5.503.2821.0	M25	PG 16	10,0-14,0	25,0	12,0	28,0	27,0	24,0	29,8	Ø14,4
Z5.503.2921.0	M25	PG 21	13,0-18,0	25,0	8,0	32,5	30,0	30,0	33,0	Ø18,4
Z5.503.3121.0	M32	PG 21	13,0-18,0	32,0	9,0	33,0	34,0	30,0	37,5	Ø18,4
Z5.503.3221.0	M32	PG 21	13,0-18,0	32,0	15,0	33,0	34,0	30,0	37,5	Ø18,4
Z5.503.3521.0	M40	PG 29	18,0-25,0	40,0	15,0	38,5	43,0	40,0	48,5	Ø25,5
Z5.503.3921.0	M63	M72	37,0-53,0	63,0	10,0	51,0	75,0	75,0	83,0	Ø53,6
Z5.503.4221.0	M12	PG 7	3,0-6,5	12,0	12,0	22,0	14,0	14,0	15,5	Ø6,7
Z5.503.4421.0	M16	PG 11	5,0-10,0	16,0	12,0	28,5	20,0	20,0	22,0	Ø10,4
Z5.503.4621.0	M20	PG 13,5	6,0-12,0	20,0	12,0	26,0	22,0	22,0	24,5	Ø12,4
Z5.503.4821.0	M25	1"-24 UNS	11,0-17,0	25,0	12,0	30,5	27,0	27,0	30,0	Ø17,3
Z5.503.5021.0	M32	M32	15,0-21,0	32,0	15,0	36,2	34,0	34,0	37,0	Ø21,3
Z5.503.5221.0	M40	M40	19,0-28,0	40,0	15,0	43,5	43,0	43,0	48,4	Ø28,3
Z5.503.5421.0	M50	PG 42	27,0-38,0	50,0	15,0	52,0	58,0	58,0	64,0	Ø38,5

nach/according to	DIN EN 62444 / VDE 0619
Gewinde gemäß/thread according to	EN 60423
Material Verschraubung/material fitting	Messing/brass / PA 6 UL94-V2
Material Verschraubungsdichtung/material seal of fitting	CR
Material O-Ring/material O-ring	NBR
Schutzklasse nach/protection class according to	DIN EN 60529 IP 66-68

frei von lackbenetzungstörenden Substanzen (Silikonfrei)/
 free from substances that prevent paint adhesion (silicon free)

Weitere Daten siehe KATALOG oder eKatalog
 additional data see CATALOG or eCATALOG
www.wieland-electric.com
eshop.wieland-electric.com



Tolerierung Size ISO 14405 © / Tolerance system Size ISO 14405 ©.
 (This ISO-standard describes the envelope principle. According to the envelope principle the deviations of form and parallelism are limited by the size tolerances).

ja/yes Stoffverbots- und Deklarationsliste nach WN 5020.010 ist einzuhalten.
 Conformity with Wieland document WN 5020.010 e (list of prohibited / declarable hazardous substances) to be declared!

Freitoleranz nach General tolerance CAD - Zeichnung, keine manuellen Änderungen CAD - drawing, no manual modifications allowed 1. Verwendung: First Use: Blatt: 1 von 1 Sheet: 1 of 1

Werkstoff / Material	Tag/Date	Name	Zeichnung Nr. / Drawing No.	Index
gezeichnet/drawn	05.05.2017	Schmitt J.		
geprüft/checked			T Z5.503.2121.0 13K	-
Normgepr. / Stand. check				

Maße in mm / Dimensions are in mm

Vol. mm³ / Srf. mm² Ersatz für / Replacement for:

Type Benennung/Title
KABELVERSCHRAUBUNG
 metrisch, Metall
 metric, metal

www.wieland-electric.com

Index Datum / Blatt Date / Sheet Änderung / Revision