

Transmittal, reproduction, dissemination and/or editing of this document as well as utilization of its contents and communication thereof to others without express authorization are prohibited.
未经允许禁止传输、复制、编辑该文档，以及利用其内容进行交流

REVISION RECORD

| REV | CN | DESCRIPTION | DRFT | DATE |
|-----|----|-------------|------|------|
| | | | | |

General information:

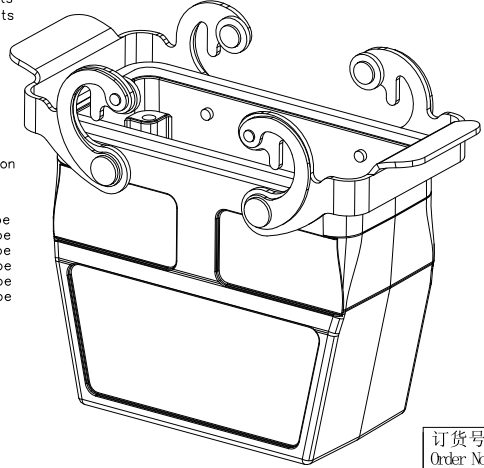
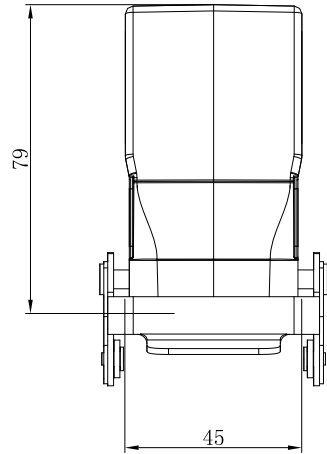
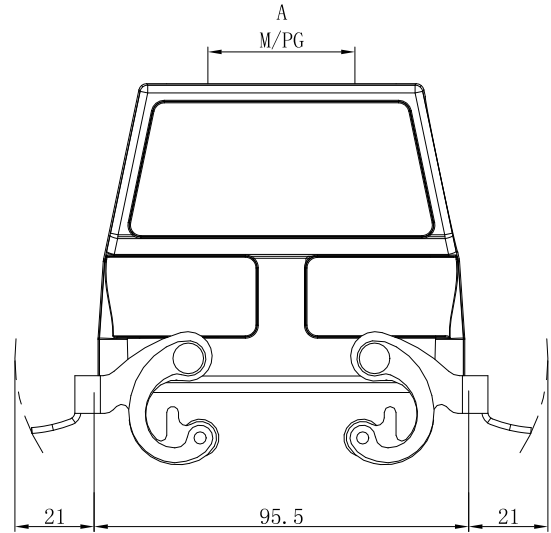
1. Material: Aluminium die-cast
2. Colour: Grey
3. Surface: Powder-coated
4. Operating temperature: -40°C~+125°C
5. Degree of protection acc.to DIN EN60529 for coupled connector: IP65
6. Locking element:
Locking type: Single locking latch
Material: Metal galvanized/nickel plating
7. Outgoing direction: Top entry
8. Thread specifications: M/PG
9. Hoods&Housings seal: NBR
10. Undimensioned Tolerances:

| Pitch | Range | In | Nominal | Dimension | Range | | |
|-------|--------|---------|---------|-----------|----------|----------|--------|
| mm | | | mm | | mm | | |
| | Over 6 | Over 10 | Over 30 | Over 60 | Over 100 | Over 150 | 0.1/10 |
| | TO 6 | TO 10 | TO 30 | TO 60 | TO 100 | TO 150 | ≠ |
| | ±0.15 | ±0.20 | ±0.30 | ±0.50 | ±0.70 | ±1.00 | ±2° |

HOW TO ORDER:

S16B-BM-1L.M

- Locking lever — 1L: 1 levers(plastic) 2B: 2 bolts
2L: 2 levers(plastic) 4B: 4 bolts
1L.M: 1 levers(Metal)
2L.M: 2 levers(Metal)
- Housing type — SE: Side entry
SEH: Side entry-high construction
TE: Top entry
TEH: Top entry-high construction
BM: Bulkhead mounted
SM: Sufeface mounted
SMH: Sufeface mounted-high construction
CC: Cable to cable
CC: Cable to cable high construction
- Sereies — S3A: 3A Compact type S6B: 6B Standard type
S10A: 10A Compact type S10B: 10B Standard type
S16A: 16A Compact type S16B: 16B Standard type
S24B: S24B Standard type
S32B: S32B Standard type
S48B: S48B Standard type



| Order number | A |
|---------------------|---------|
| S16B-CCH-2L. M-M25 | M25×1.5 |
| S16B-CCH-2L. M-M32 | M32×1.5 |
| S16B-CCH-2L. M-M40 | M40×1.5 |
| S16B-CCH-2L. M-PG21 | PG21 |
| S16B-CCH-2L. M-PG29 | PG29 |

借通用件登记
Common Part

原图号
Old Draw. No.

底图总号
Assembly No.

| | | | | | | | |
|------------------|--------------------|------------|-------------------|-----------------------|--|---------------|-------------|
| 订货号 Order No. | S16B-CCH-2L. M-XXX | | 名称 Name | S16B电缆对接 高结构金属两扣底座 | 未注公差 Tolerance | 表面 Surface | |
| 项目 Item | 签字 Signature | 日期 Date | | | Tolerances Table | VDI21 | |
| 设计 Design | CHH | 2024.07.17 | 图号 Drawing No. | / | 版本号 Revision Number | 重量 Weight | 比例 Scale |
| 审核 Check | CHH | 2024.07.17 | 材料 Material | / | MO | / | 1:1 |
| 工艺 Process | - | - | 物料号 Item No. | / | 第1页/共1页 1 of 1 | mm | |
| 标准化 Unify | - | - | | ... | 宁波盛普电子有限公司 NINGBO SUPU ELECTRONICS CO.,LTD. | | |
| 批准 Approve | XJ | 2024.07.17 | | / | | | |