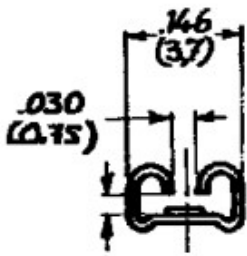


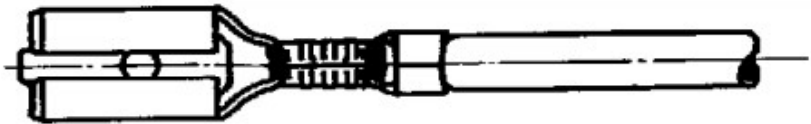
DRAWING MADE IN AMERICAN PROJECTION

LTR.	REVISION RECORD	DATE	DWN	APVD
F2	REVISED PER ECR-14-002490	17NOV2014	NK	DC

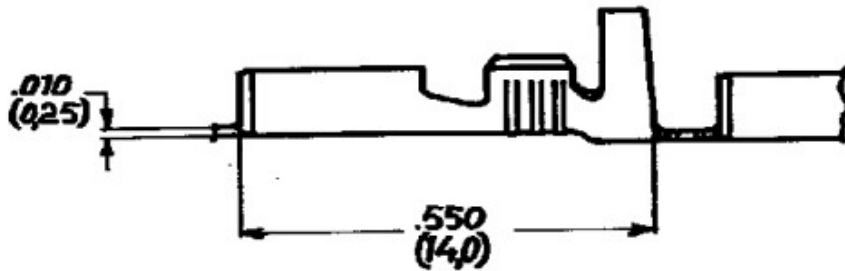
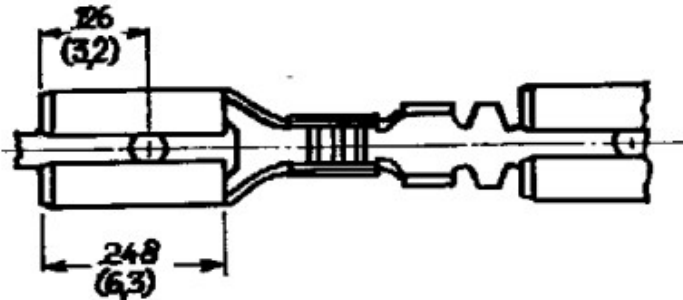
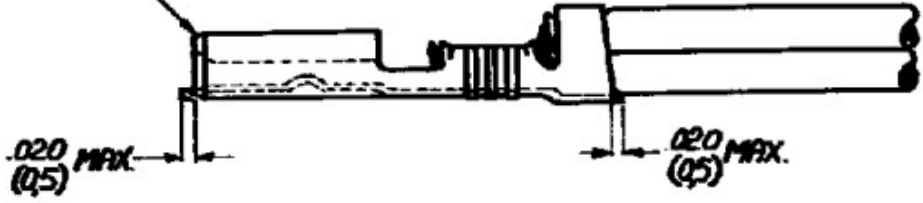
NUMBER C-160533



FOR .020 (0.5) TAB-THICKNESS



CHAMFER AROUND FRONT OF RECEPTACLE



160533-0	PHOS. BRONZE	▲
160533-9	PHOS. BRONZE	PRE-TIN
160533-5	PHOS. BRONZE	TIN
160533-4	PHOS. BRONZE	---
160533-3	BRASS	SILVER
160533-2	BRASS	TIN
160533-1	BRASS	---

▲ BRIGHT PRE-TIMPLATED

▲ OBSOLETE PARTS: OBSOLETE CIS STREAMLINING PER D.RENAUD/D.SINISI

CUSTOMER COPY FOR REFERENCE ONLY



TE Connectivity

WIRE RANGE 06-16 10-22	INSUL. RANGE 080-570 DIA 28-2-5-21	FIRST USED
------------------------------	--	------------

SCALE 4 ≈ 1	LOC H	SIZE A	NO C-160533	REV F2
----------------	----------	-----------	----------------	-----------

NAME 110 Ser FASTON RECEPTACLE

INCHES DIMENSIONS IN (MM) DO NOT SCALE PRINT

DATE 7-79	DATE 2-2-84
DATE 30/1/83	DATE 2-2-84